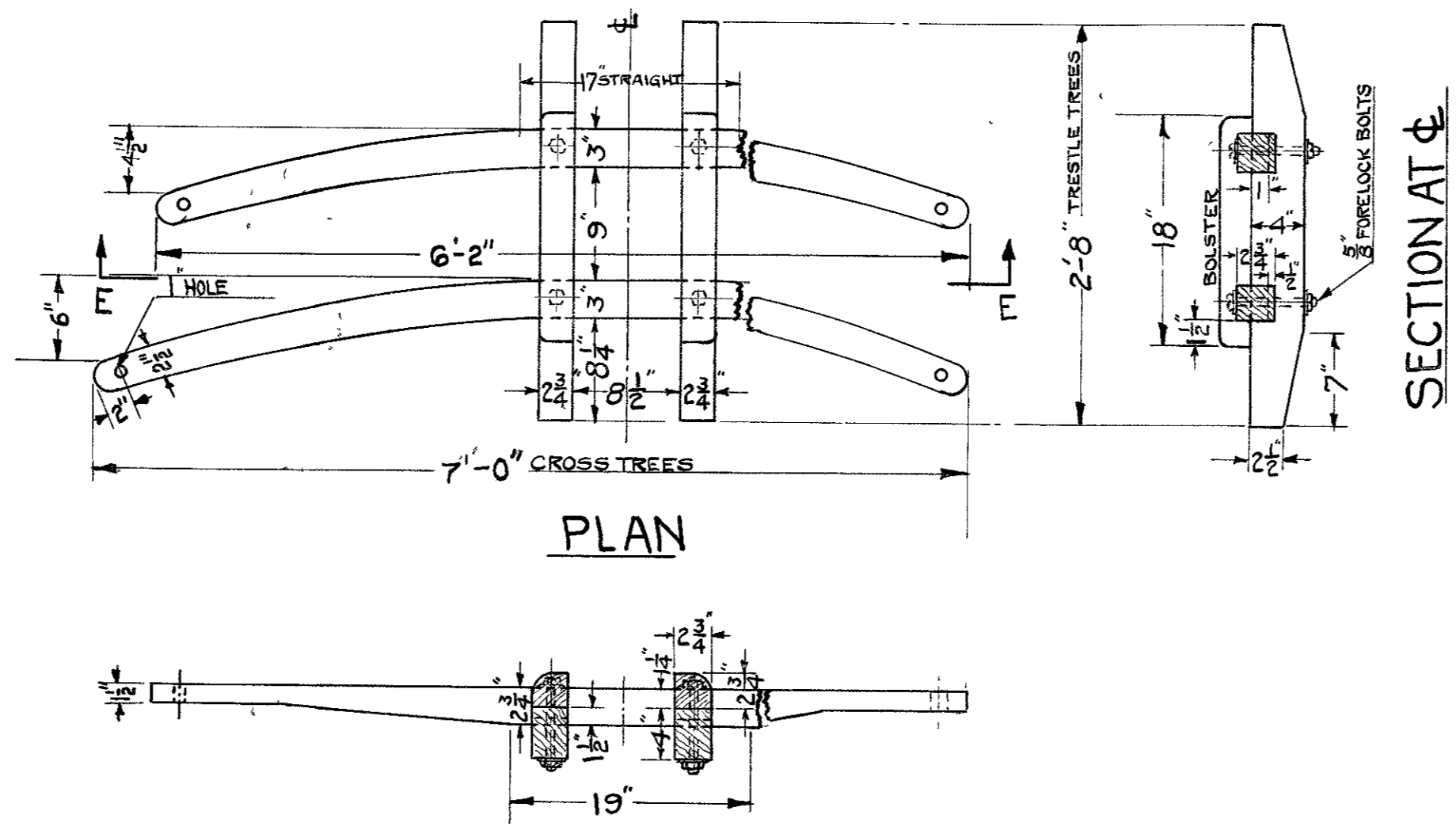
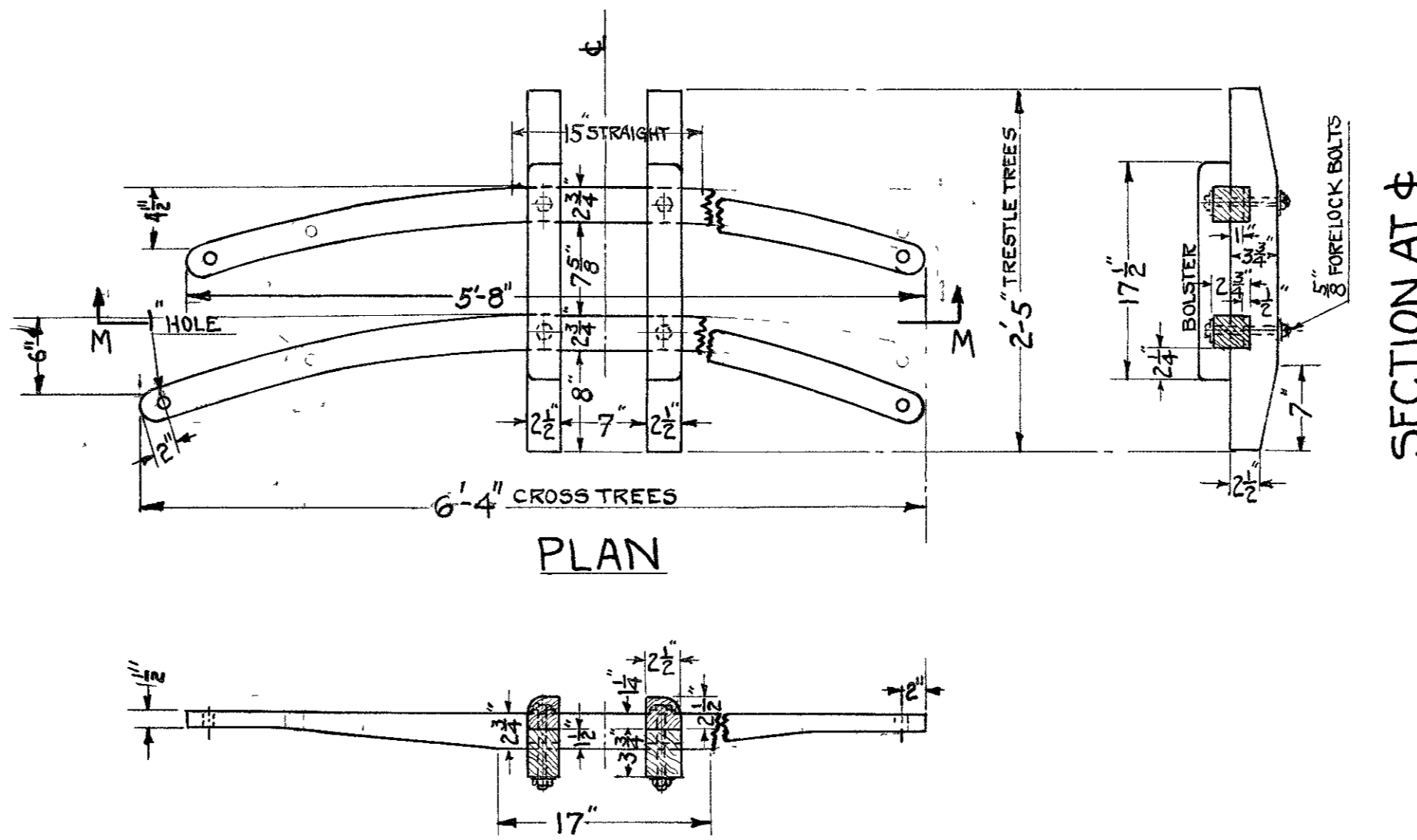


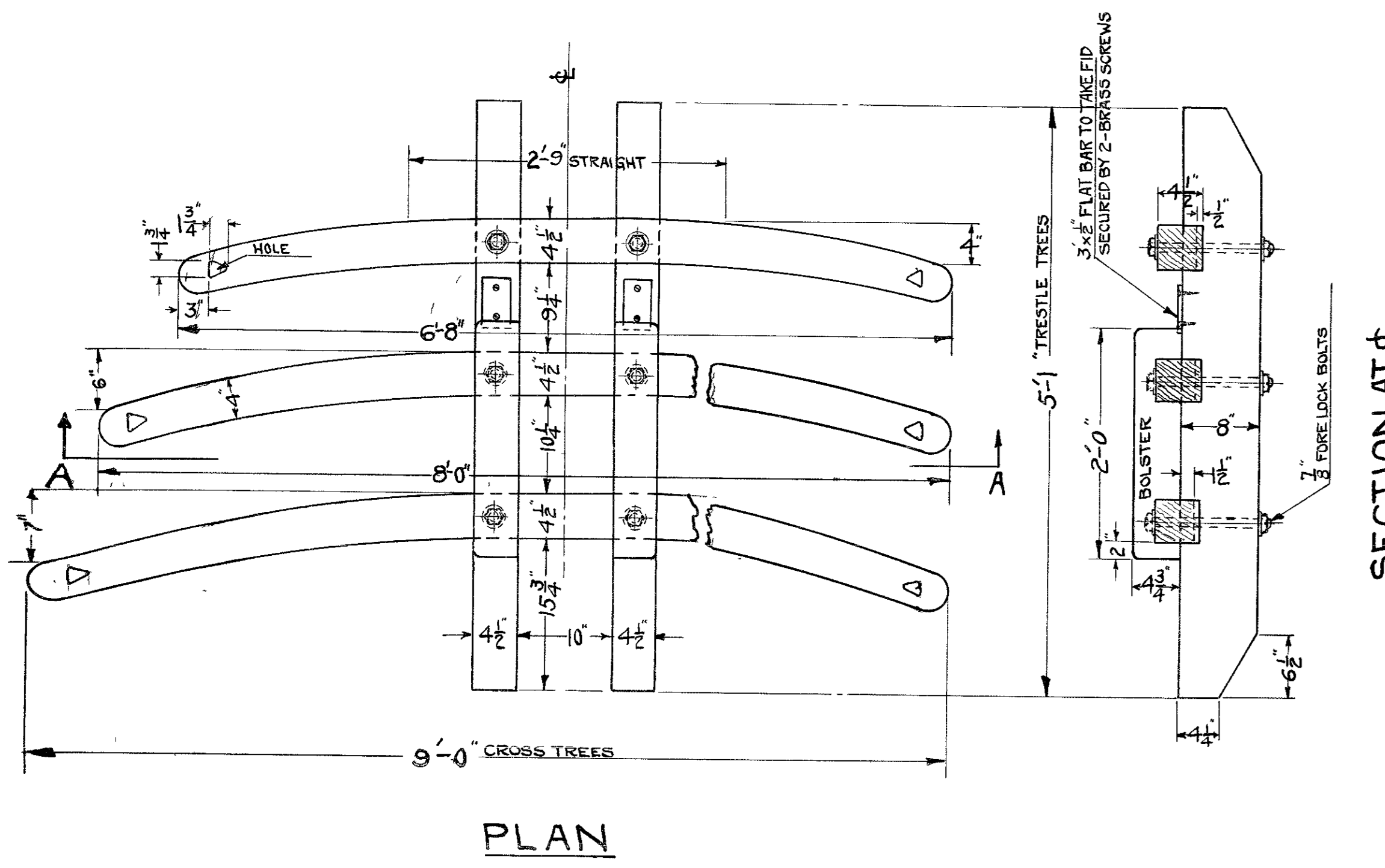
SECTION AT D-D
MIZZEN TOP-GALLANT TRESTLE & CROSS TREES



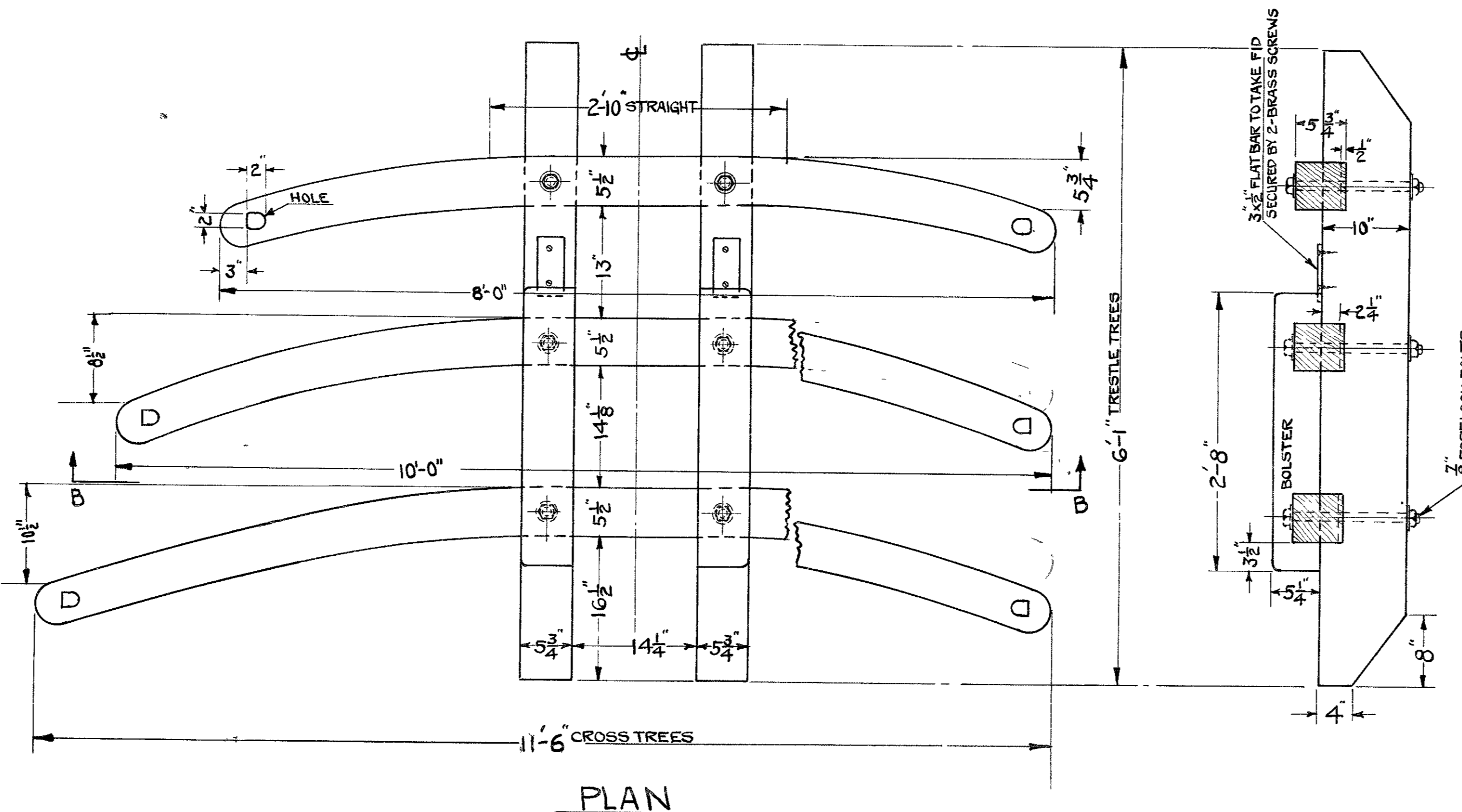
SECTION AT E-E
MAIN TOP-GALLANT TRESTLE & CROSS TREES



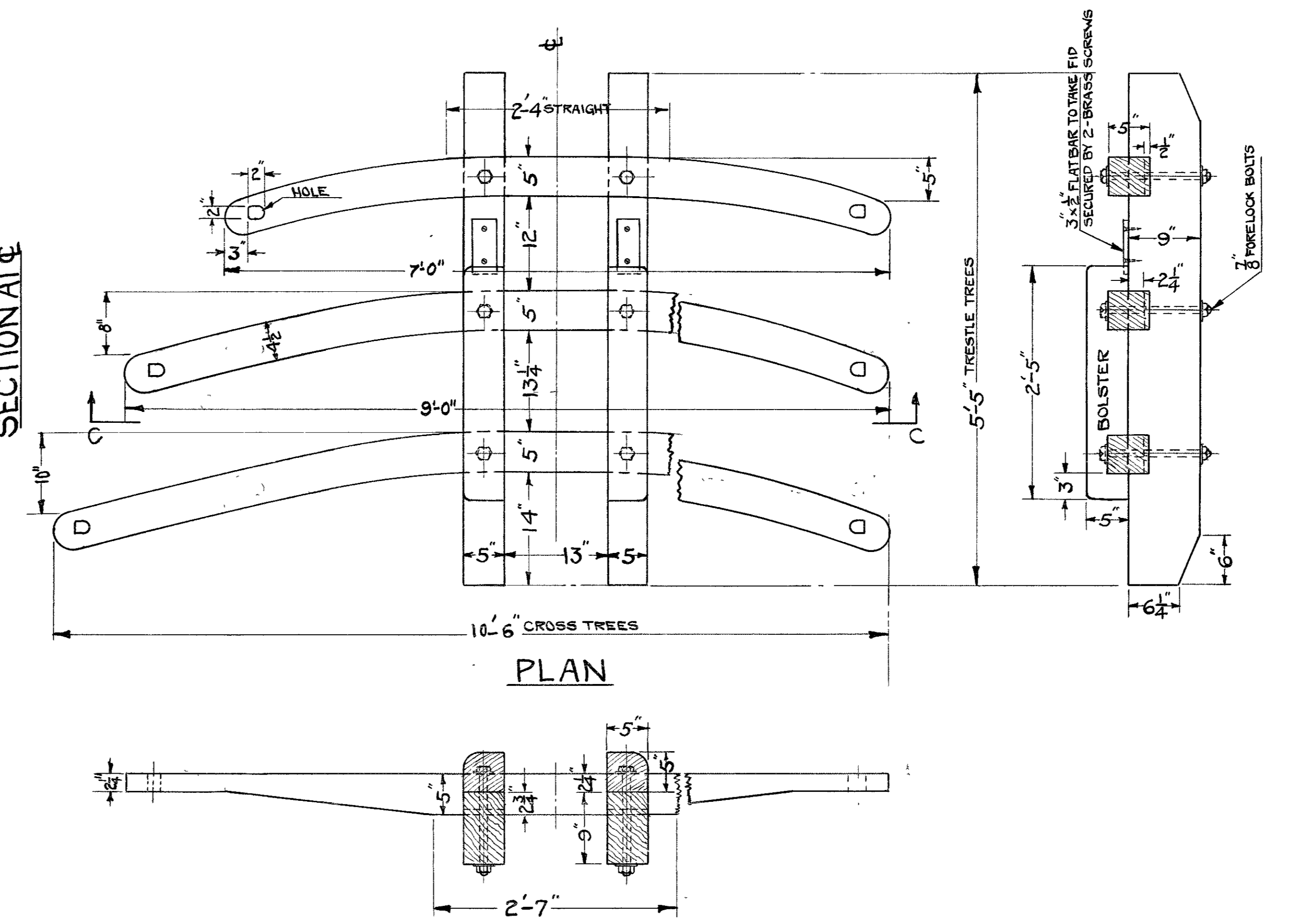
SECTION AT M-M
FORE TOP-GALLANT TRESTLE & CROSS TREES



SECTION AT A-A
MIZZEN TOPMAST TRESTLE & CROSS TREES



SECTION AT B-B
MAIN TOPMAST TRESTLE & CROSS TREES



SECTION AT C-C
FORE TOPMAST TRESTLE & CROSS TREES

IN CHARGE OF WORK: J. A. LORD, LIEUT. (C-C) USN.
DRAWN BY: J. C. GAMBLE
TRACED BY:

RESTORATION 1927-1931
U.S. FRIGATE CONSTITUTION
TRESTLE AND CROSS TREES

NAVY YARD, BOSTON
SCALE 1"=1 FT.
OCTOBER 1929
R. M. Bush
APPROVED FOR MANAGER

No. 18406