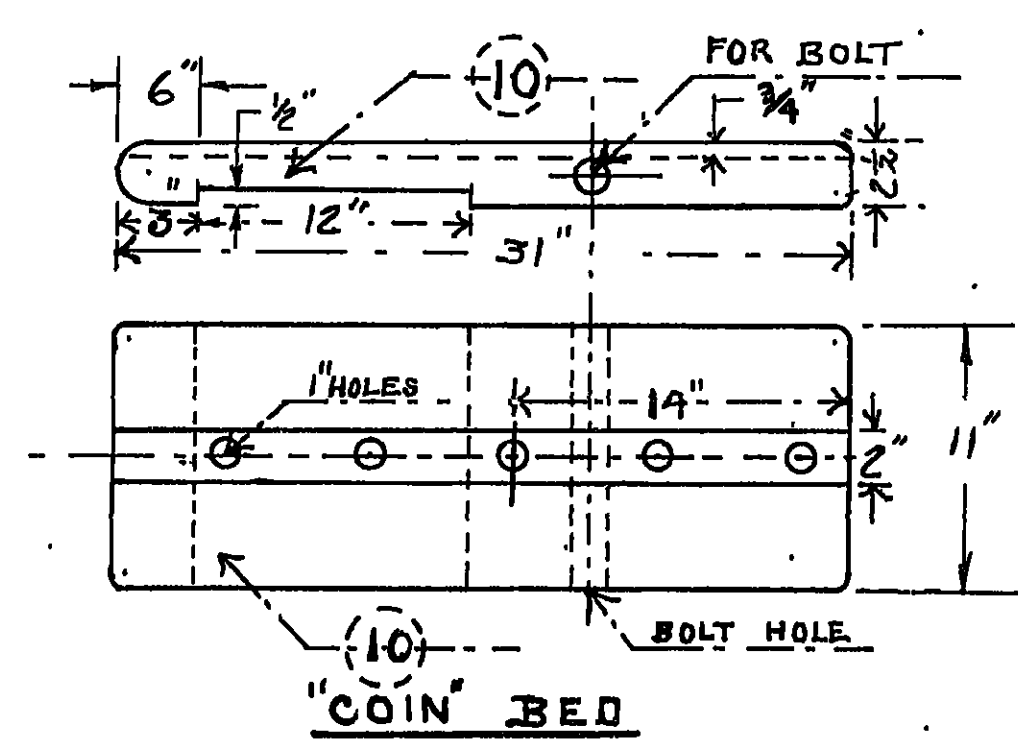
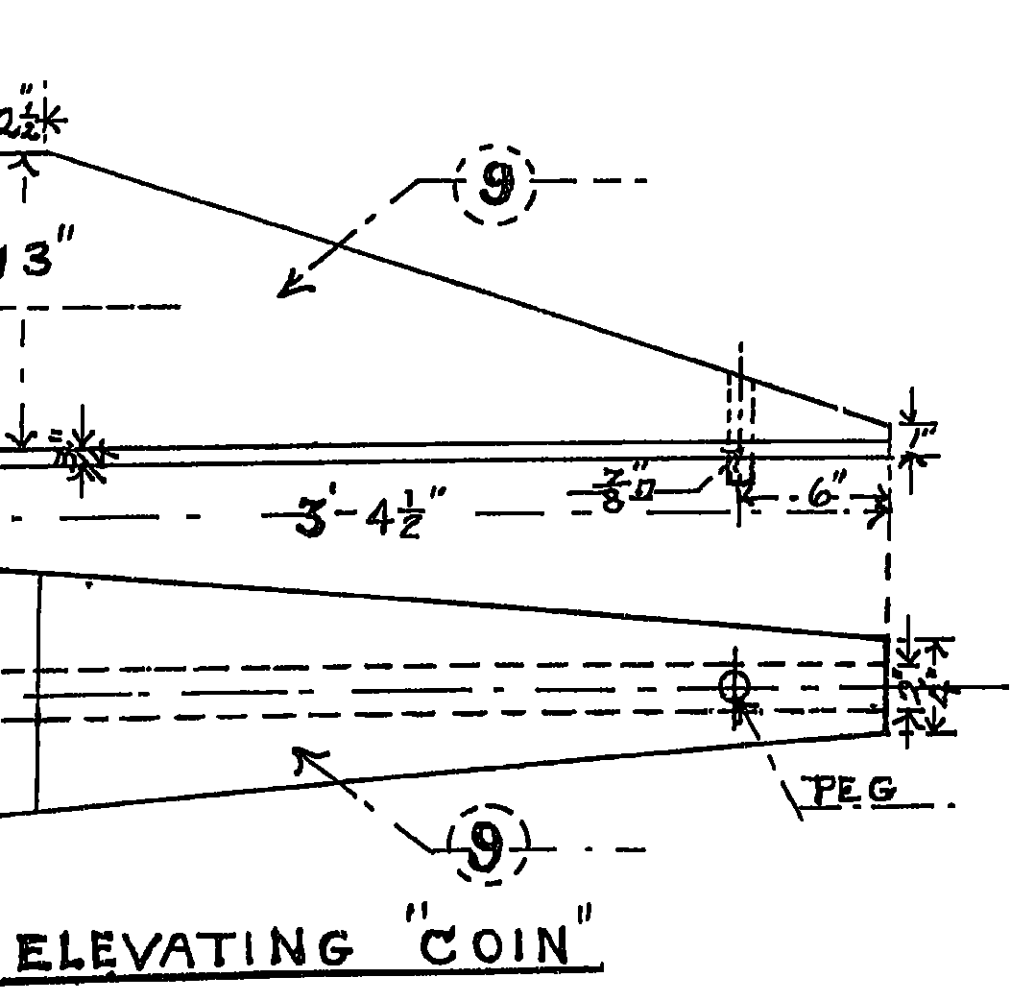
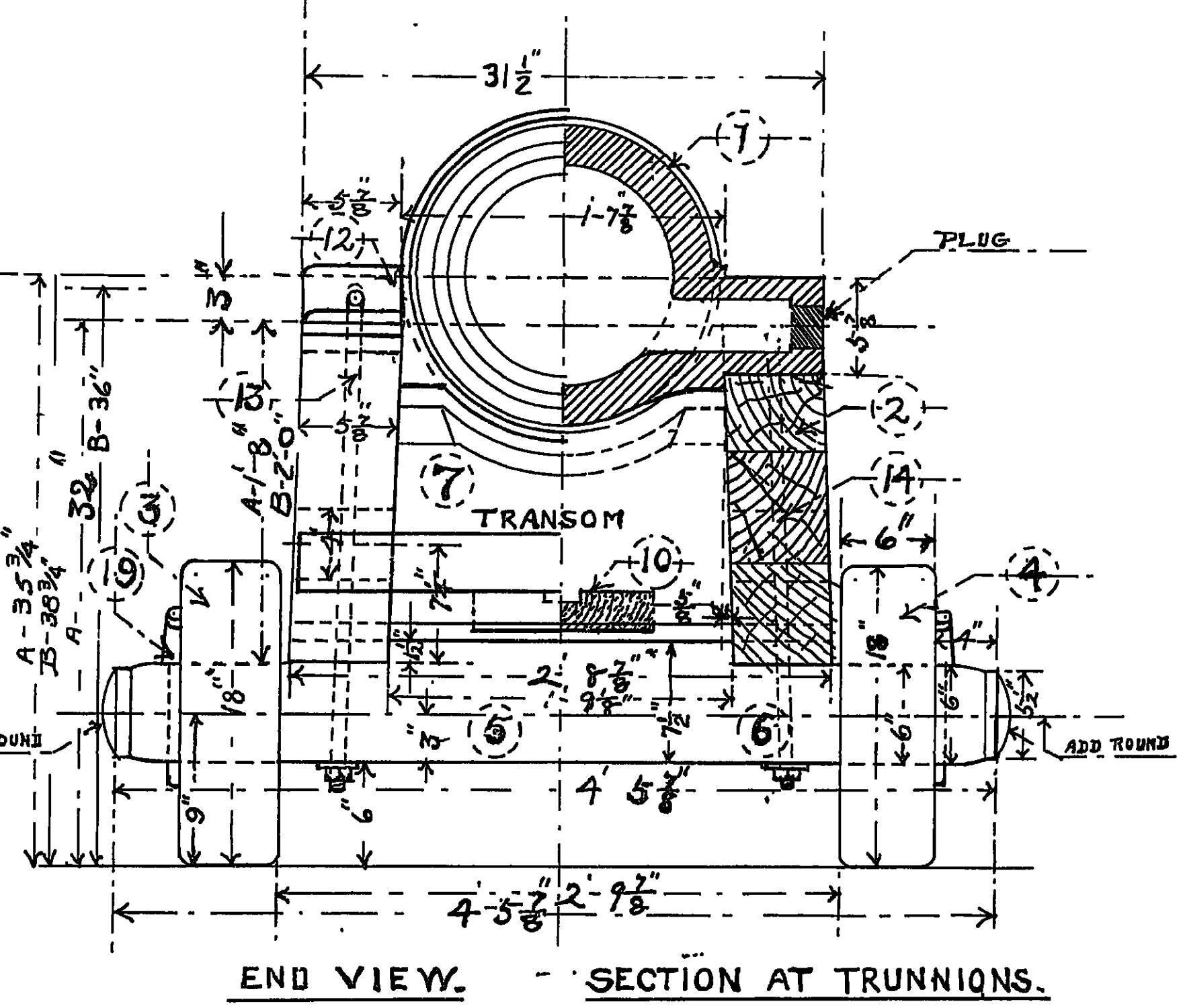
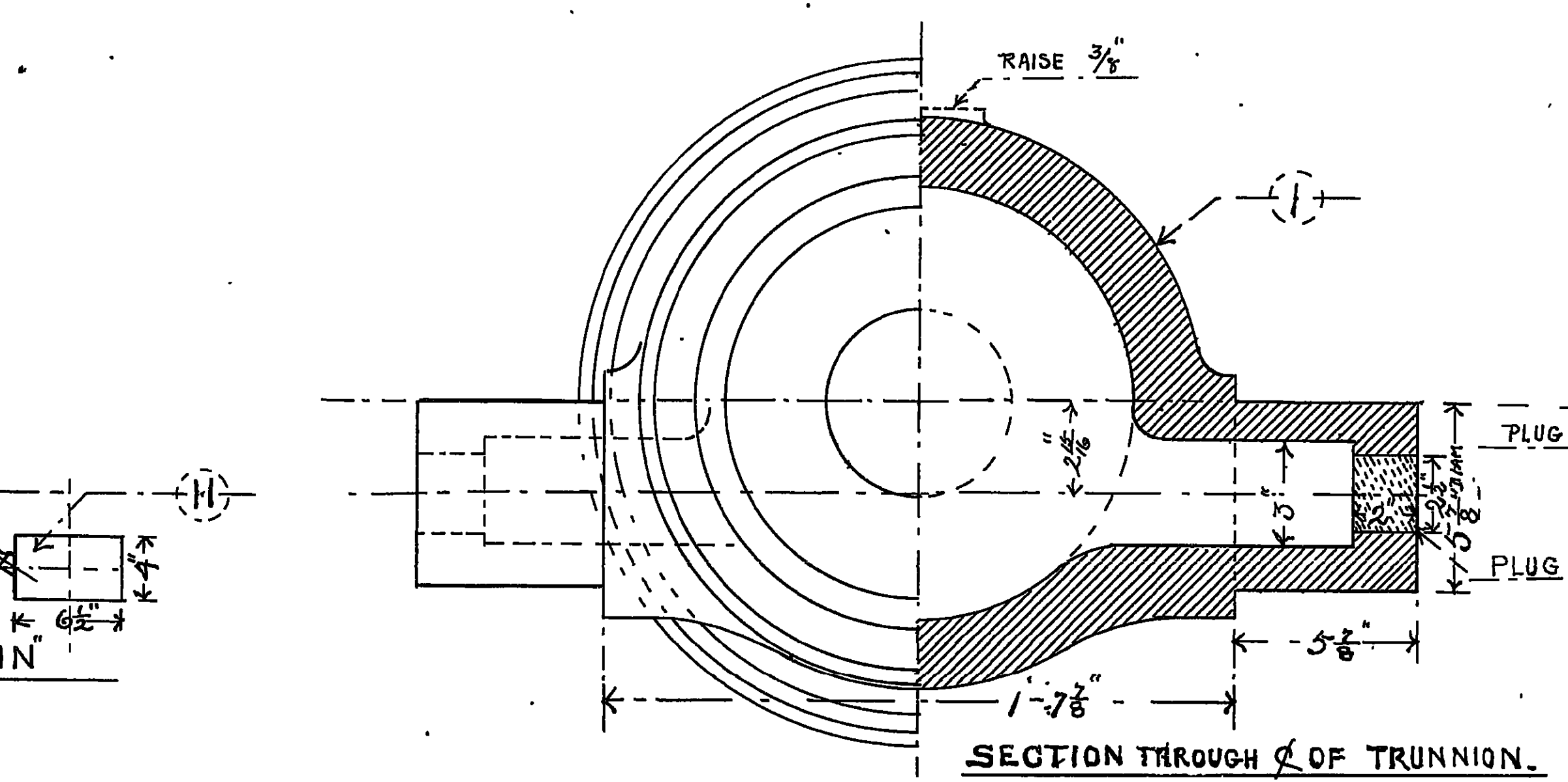
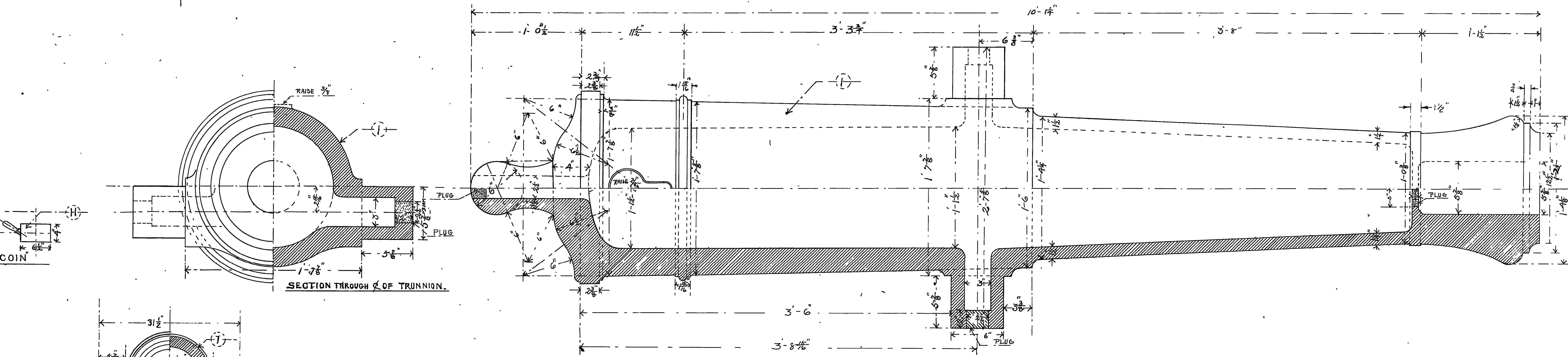


**SCHEDULE OF MATERIAL**

MARK	AMT	DESCRIPTION	MATERIAL	REMARKS
1	32	24 PDR GUN	CAST IRON, S&W	NO FINISH, PLUG CORE HOLES
2	64	GUN CARRIAGE CHEEKS	YELLOW PINE	RIGHT AND LEFT
3	128	TRUCKS	CAST IRON	OUTER & INNER
4				
5	32	AXLE TREES	OAK	OUTER
6	32	"	"	INNER
7	32	TRANSOM	"	
8	32	BREAST PIECE	"	
9	32	"COIN", ELEVATING	"	WITH HANDLE & PEG
10	32	"COIN", BED	"	
11	64	CHOCKING "COIN"	"	WITH HANDLE
12	64	TRUNNION CAP	CAST IRON	
13	64	TRUNNION BOLT, (HOOK)	WR <sup>T</sup> IRON	WITH NUT AND WASHER
14	128	LAG SCREW	"	" " " "
15	64	CHEEK BOLT (SIDE)	"	" " " "
16	64	AXLE TREE BOLT	"	" " " "
17	32	CROSS BOLT (CHEEK)	"	" " " "
18	64	" " " " TRUNNION	"	" " " "
19	128	LINC PIN	LIVE OAK	
20	64	AXLE TREE BRACE	CAST IRON	
21	32	RELIEVING BOLT	WR <sup>T</sup> IRON	EYE BOLT WITH PLATE
22	32	TRAINING BOLT, (ALEY)	"	" " " "
23	128	CHEEK SIDE EYE BOLT	"	" " " "
24	64	SIDE TACKLE RING BOLT	"	" " " "
25	64	SPIKE	"	" " " "

NOTE  
TWO CARRIAGES  
THIRTY  
FOR LOCATION  
ALL CORE

CAST IRON  
OR STEEL



SCHEDULE OF MATERIAL				
MARK	AMT	DESCRIPTION	MATERIAL	REMARKS
1	32	24 PDR GUN	CAST IRON	NO FINISH, PLUG CORE HOLES
2	64	GUN CARRIAGE CHEEKS	YELLOW PINE	RIGHT AND LEFT
3	128	TRUCKS	CAST IRON	OUTER & INNER
4				
5	32	AXLETREES	OAK	OUTER
6	32	"	"	INNER
7	32	TRANSOM	"	
8	32	BREAST PIECE	"	
9	32	"COIN", ELEVATING	"	WITH HANDLE & PEG
10	32	"COIN", BED	"	
11	64	CHOCKING "COIN"	"	WITH HANDLE
12	64	TRUNNION CAP	CAST IRON	
13	64	TRUNNION BOLT, (HOOK)	WRT IRON	WITH NUT AND WASHER
14	128	LAG SCREW	"	
15	64	CHEEK BOLT (SIDE)	"	
16	64	AXLETREE BOLT	"	
17	32	CROSS BOLT (CHEEK)	"	
18	64	" TRANSOM	"	
19	128	LINGH PIN	LIVE OAK	
20	64	AXLETREE BRACE	CAST IRON	
21	32	RELIEVING BOLT	WRT IRON	EYE BOLT WITH PLATE
22	32	TRAINING BOLT, AXLET	"	
23	128	CHEEK SIDE EYE BOLT	"	
24	64	SIDE TACKLE RING BOLT	"	
25	64	SPIKE	"	

NOTE  
 TWO CARRIAGES 35" DECK TO Q OF GUN = A  
 THIRTY " 37" " " " " " = B  
 FOR LOCATION OF GUN SEE BATTERY ARRANGEMENT SHEET NO 3097.  
 ALL CORE HOLES IN GUN TO BE PLUGGED

*Mr. Bair*  
*Green*  
*Park* } Feb 28/07

**U.S. FRIGATE CONSTITUTION**  
**24. PDR GUN AND GUN CARRIAGE**  
 U.S. NAVY YARD, BOSTON, FEB 1907.  
 SCALE 1/2" AND 3/8" = 1 FOOT.  
*Robert L. ...*  
 NAVAL CONSTRUCTOR, U.S.N.  
 DWG. NO. 14939  
 SHEET No 3103.

14939 (IX 51)