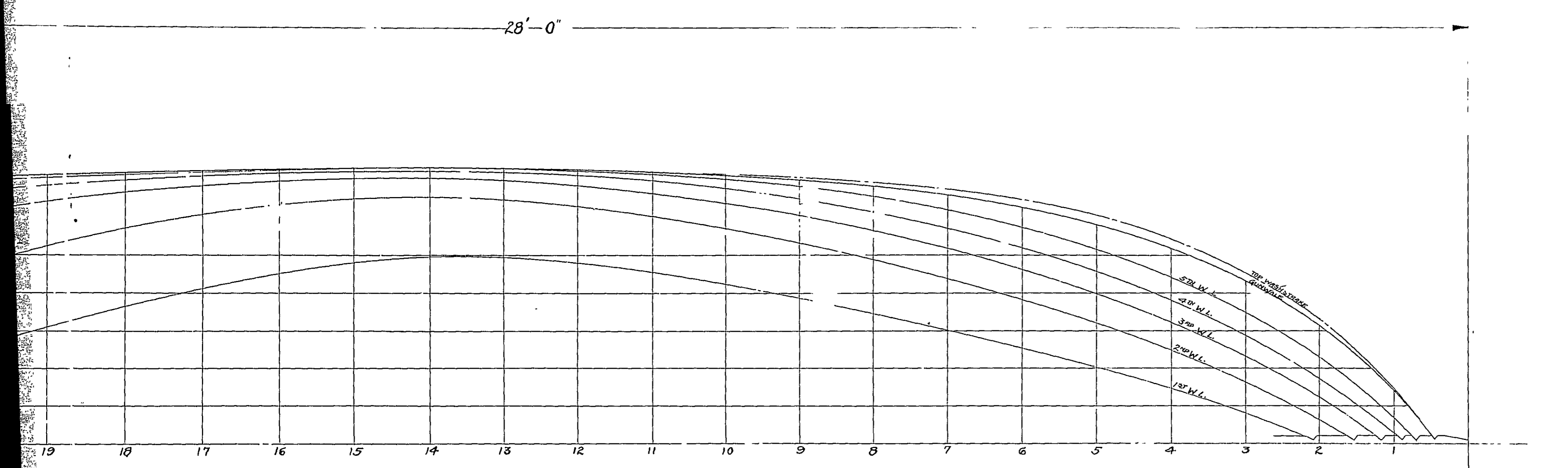
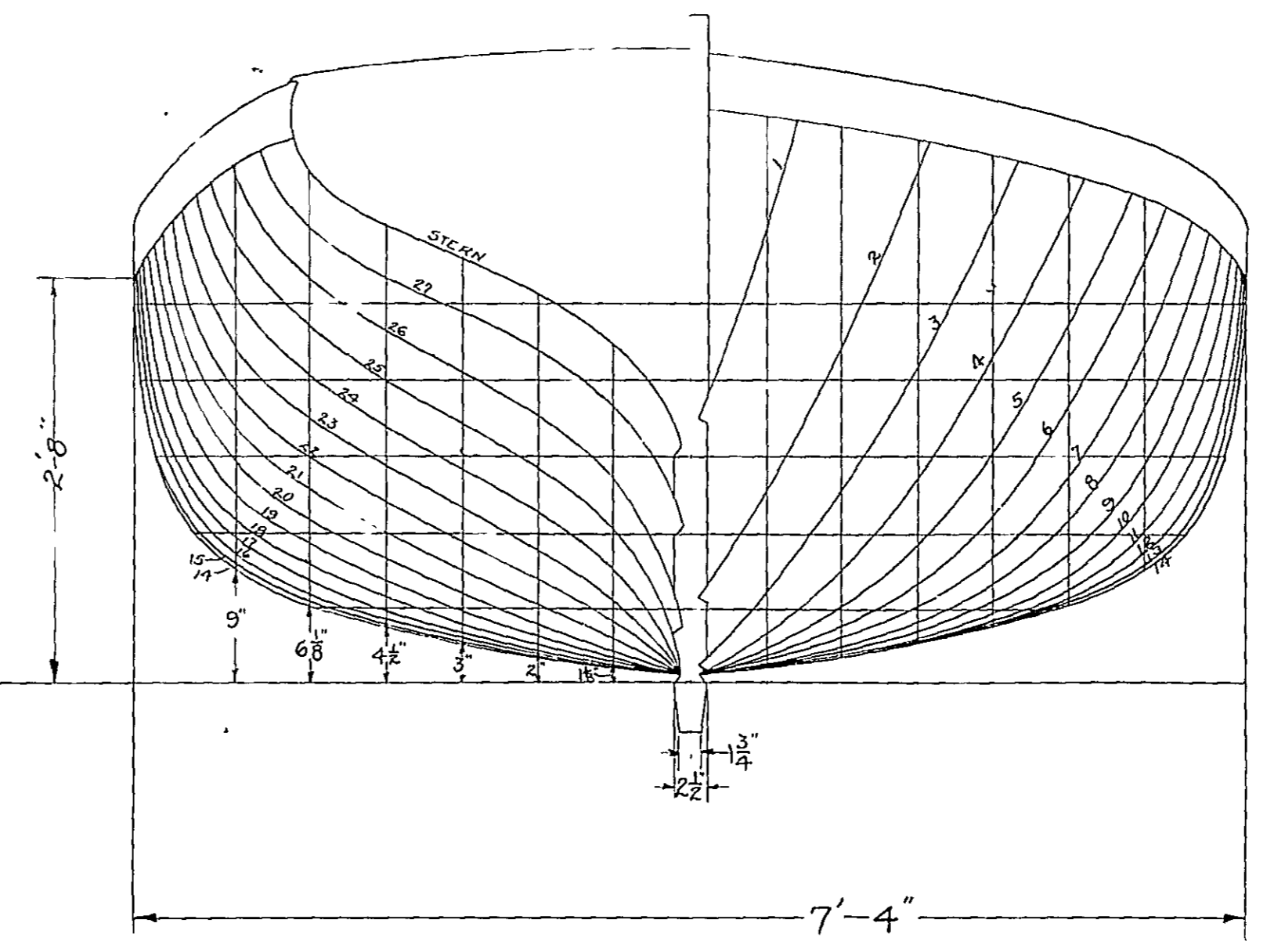
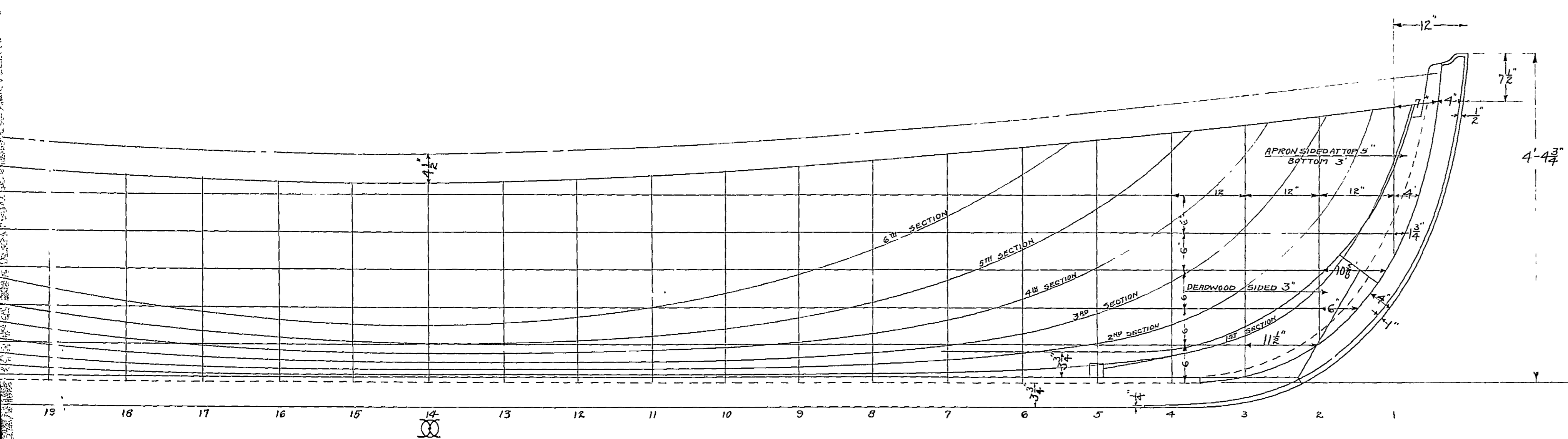


| WATER LINES SPACED 6 INCHES SECTIONS SPACED 6 INCHES | FRAMES SPACED 12 INCHES | | | | | | | | | | | | | | | | | | | | | | | | | | | |
|---|-------------------------|--------|-------|--------|--------|--------|--------|--------|--------|--------|--------|--------|--------|--------|--------|--------|--------|--------|--------|--------|--------|--------|--------|--------|--------|--------|--------|-------|
| | 1 | 2 | 3 | 4 | 5 | 6 | 7 | 8 | 9 | 10 | 11 | 12 | 13 | 14 | 15 | 16 | 17 | 18 | 19 | 20 | 21 | 22 | 23 | 24 | 25 | 26 | 27 | |
| HEIGHT GUNWALE ABOVE BASE | 3-9-1 | 3-9-1 | 3-6-5 | 3-3-7 | 3-2-6 | 3-1-5 | 3-0-6 | 2-11-5 | 2-10-6 | 2-9-1 | 2-8-4 | 2-8-1 | 2-8-0 | 2-8-0 | 2-8-1 | 2-8-4 | 2-9-1 | 2-9-5 | 2-10-2 | 2-11-3 | 3-0-3 | 3-1-3 | 3-2-3 | 3-3-5 | 3-4-7 | 3-6-0 | 3-7-2 | |
| HALF BREADTH GUNWALE | 0-6-0 | 0-8-4 | 1-6-6 | 2-1-7 | 2-7-2 | 2-11-0 | 3-1-5 | 3-3-5 | 3-5-1 | 3-6-1 | 3-6-7 | 3-7-4 | 3-7-6 | 3-7-7 | 3-8-0 | 3-7-7 | 3-7-5 | 3-7-4 | 3-7-1 | 3-6-4 | 3-5-7 | 3-4-7 | 3-3-5 | 3-2-0 | 2-11-5 | 2-8-3 | 2-3-5 | 1-7-6 |
| " " 5 th WL. | 0-4-1 | 1-1-6 | 1-9-0 | 2-2-5 | 2-7-1 | 2-10-3 | 3-1-3 | 3-3-4 | 3-5-1 | 3-6-2 | 3-7-1 | 3-7-5 | 3-7-7 | 3-8-0 | 3-7-7 | 3-7-5 | 3-7-4 | 3-7-1 | 3-6-4 | 3-5-7 | 3-4-7 | 3-3-5 | 3-2-0 | 2-11-5 | 2-8-3 | 2-3-5 | 1-7-6 | |
| " " 4 th WL. | 0-1-6 | 0-10-4 | 1-5-3 | 1-11-0 | 2-3-5 | 2-7-3 | 2-10-4 | 3-1-0 | 3-3-1 | 3-4-6 | 3-6-0 | 3-6-7 | 3-7-2 | 3-7-5 | 3-7-4 | 3-7-2 | 3-6-7 | 3-6-2 | 3-5-2 | 3-4-0 | 3-2-4 | 3-0-5 | 2-9-7 | 2-5-7 | 2-0-3 | 1-5-3 | 0-0-0 | |
| " " 3 rd WL. | 0-7-1 | 1-2-0 | 1-7-2 | 1-11-6 | 2-3-3 | 2-7-1 | 2-9-7 | 3-0-3 | 3-2-2 | 3-4-0 | 3-5-2 | 3-6-0 | 3-6-4 | 3-6-3 | 3-6-0 | 3-5-7 | 3-4-1 | 3-2-5 | 3-0-5 | 2-9-7 | 2-6-2 | 2-1-5 | 1-8-0 | 1-3-7 | 0-8-1 | 0-2-7 | | |
| " " 2 nd WL. | 0-3-7 | 0-9-7 | 1-3-6 | 1-7-1 | 1-10-7 | 2-3-3 | 2-5-3 | 2-8-0 | 2-10-2 | 2-12-7 | 3-1-7 | 3-2-2 | 3-2-1 | 3-2-1 | 3-2-1 | 3-2-1 | 3-2-1 | 3-2-1 | 3-2-1 | 3-2-1 | 3-2-1 | 3-2-1 | 3-2-1 | 3-2-1 | 3-2-1 | 3-2-1 | 3-2-1 | |
| " " 1 st WL. | 0-4-7 | 0-8-5 | 1-0-0 | 1-3-1 | 1-6-1 | 1-8-6 | 1-11-1 | 1-13-3 | 1-15-3 | 1-17-3 | 1-19-3 | 1-21-3 | 1-23-3 | 1-25-3 | 1-27-3 | 1-29-3 | 1-31-3 | 1-33-3 | 1-35-3 | 1-37-3 | 1-39-3 | 1-41-3 | 1-43-3 | 1-45-3 | 1-47-3 | 1-49-3 | 1-51-3 | |
| HEIGHT ABOVE BASE TO 1 st SECTION | 2-11-5 | 1-3-2 | 0-7-3 | 0-4-1 | 0-2-7 | 0-2-0 | 0-1-4 | 0-1-3 | 0-1-2 | 0-1-1 | 0-1-1 | 0-1-1 | 0-1-1 | 0-1-1 | 0-1-1 | 0-1-1 | 0-1-1 | 0-1-1 | 0-1-1 | 0-1-1 | 0-1-1 | 0-1-1 | 0-1-1 | 0-1-1 | 0-1-1 | 0-1-1 | 0-1-1 | |
| " " " 2 nd " | 2-8-6 | 1-3-3 | 0-9-2 | 0-6-1 | 0-4-6 | 0-3-5 | 0-2-6 | 0-2-3 | 0-2-1 | 0-2-0 | 0-2-0 | 0-2-0 | 0-2-0 | 0-2-0 | 0-2-1 | 0-2-2 | 0-2-7 | 0-3-4 | 0-4-5 | 0-6-1 | 0-7-7 | 0-10-2 | 1-1-1 | 1-4-5 | 1-8-7 | 2-2-2 | 2-6-5 | |
| " " " 3 rd " | 0-5-1 | 2-1-0 | 1-4-2 | 0-4-7 | 0-6-0 | 0-4-5 | 0-3-7 | 0-3-3 | 0-3-1 | 0-3-0 | 0-3-0 | 0-3-0 | 0-3-0 | 0-3-0 | 0-3-1 | 0-3-3 | 0-3-7 | 0-4-5 | 0-5-5 | 0-7-0 | 0-8-7 | 1-1-7 | 1-4-7 | 1-8-3 | 2-0-4 | 2-5-3 | 2-9-4 | |
| " " " 4 th " | 3-0-5 | 2-1-7 | 1-6-3 | 1-1-2 | 0-9-7 | 0-7-6 | 0-6-4 | 0-5-5 | 0-5-1 | 0-4-5 | 0-4-4 | 0-4-4 | 0-4-5 | 0-5-0 | 0-5-5 | 0-6-6 | 0-8-1 | 0-9-7 | 1-0-0 | 1-2-1 | 1-5-0 | 1-8-0 | 1-11-4 | 1-14-3 | 1-17-5 | 2-0-0 | 2-2-0 | |
| " " " 5 th " | 0-4-1 | 1-1-6 | 1-9-0 | 2-2-5 | 2-7-1 | 2-10-3 | 3-1-3 | 3-3-4 | 3-5-1 | 3-6-2 | 3-7-1 | 3-7-5 | 3-7-7 | 3-8-0 | 3-7-7 | 3-7-5 | 3-7-4 | 3-7-1 | 3-6-4 | 3-5-7 | 3-4-7 | 3-3-5 | 3-2-0 | 2-11-5 | 2-8-3 | 2-3-5 | 1-7-6 | |
| " " " 6 th " | 2-9-3 | 2-2-6 | 1-3-2 | 1-5-1 | 1-2-1 | 1-0-0 | 0-8-3 | 0-9-3 | 0-9-0 | 0-9-2 | 0-9-0 | 0-9-2 | 0-9-0 | 0-9-2 | 0-9-0 | 0-9-2 | 0-9-0 | 0-9-2 | 0-9-0 | 0-9-2 | 0-9-0 | 0-9-2 | 0-9-0 | 0-9-2 | 0-9-0 | 0-9-2 | 0-9-0 | |

IN CHARGE OF WORK: LIEUT. J. A. LORD (C.) U.S.N.
 DRAWN BY: J. C. GAMBLE
 TRACED BY: J. C. G.



| LINES SPACED 6 INCHES | FRAMES SPACED 12 INCHES | | | | | | | | | | | | | | | | | | | | | | | | | | | | | | | | | | | | | | | | |
|-----------------------|-------------------------|--------|-------|--------|--------|--------|--------|-------|--------|--------|--------|--------|--------|--------|--------|--------|--------|--------|--------|--------|--------|--------|--------|--------|--------|--------|--------|--------|--------|--------|-------|-------|-------|-------|-------|-------|-------|-------|-------|-------|-------|
| | 1 | 2 | 3 | 4 | 5 | 6 | 7 | 8 | 9 | 10 | 11 | 12 | 13 | 14 | 15 | 16 | 17 | 18 | 19 | 20 | 21 | 22 | 23 | 24 | 25 | 26 | 27 | | | | | | | | | | | | | | |
| UNWALE ABOVE BASE | 3-9-1 | 3-8-1 | 3-6-5 | 3-5-3 | 3-3-7 | 3-2-6 | 3-1-5 | 3-0 | 2-11-5 | 2-10-6 | 2-9-7 | 2-9-1 | 2-8-4 | 2-8-1 | 2-8-0 | 2-8-0 | 2-8-1 | 2-8-4 | 2-9-1 | 2-9-5 | 2-10-2 | 2-11-3 | 3-0-3 | 3-1-3 | 3-2-3 | 3-3-5 | 3-4-7 | 3-6-0 | 3-7-2 | | | | | | | | | | | | |
| BREADTH UNWALE | 0-6-0 | 0-8-4 | 1-6-6 | 2-1-7 | 2-7-2 | 2-11-0 | 3-1-5 | 3-3-5 | 3-5-1 | 3-6-1 | 3-6-7 | 3-7-4 | 3-7-6 | 3-7-7 | 3-8-0 | 3-7-7 | 3-7-6 | 3-7-5 | 3-7-3 | 3-6-7 | 3-6-3 | 3-5-7 | 3-5-1 | 3-4-2 | 3-3-2 | 3-1-7 | 3-0-3 | 2-10-0 | 2-7-3 | | | | | | | | | | | | |
| 3 RD WL. | 0-4-1 | 1-1-6 | 1-9-0 | 2-2-5 | 2-7-1 | 2-10-5 | 3-1-3 | 3-3-4 | 3-5-1 | 3-6-2 | 3-7-1 | 3-7-5 | 3-7-7 | 3-8-0 | 3-7-7 | 3-7-5 | 3-7-4 | 3-7-1 | 3-6-4 | 3-5-7 | 3-4-7 | 3-3-5 | 3-2-0 | 2-11-5 | 2-8-3 | 2-3-5 | 1-7-6 | | | | | | | | | | | | | | |
| 4 TH WL. | 0-1-6 | 0-10-4 | 1-5-3 | 1-11-0 | 2-3-5 | 2-7-3 | 2-10-4 | 3-1-0 | 3-3-1 | 3-4-6 | 3-5-0 | 3-6-7 | 3-7-2 | 3-7-5 | 3-7-4 | 3-7-2 | 3-6-7 | 3-6-2 | 3-5-2 | 3-4-0 | 3-2-4 | 3-0-5 | 2-9-7 | 2-5-7 | 2-0-3 | 1-5-3 | 0-8-0 | | | | | | | | | | | | | | |
| 5 TH WL. | | 0-7-4 | 1-2-0 | 1-7-2 | 1-11-6 | 2-3-3 | 2-7-1 | 2-9-7 | 3-0-3 | 3-2 | 3-4-0 | 3-5-2 | 3-6-0 | 3-6-3 | 3-6-0 | 3-5-7 | 3-4-1 | 3-2-5 | 3-0-5 | 2-9-7 | 2-6-2 | 2-1-5 | 1-8-0 | 1-3-7 | 0-8-1 | 0-2-7 | | | | | | | | | | | | | | | |
| 6 TH WL. | | 0-3-7 | 0-9-7 | 1-3-6 | 1-7-1 | 1-10-7 | 2-2-3 | 2-5-3 | 2-8-0 | 2-8-2 | 3-0-2 | 3-1-7 | 3-2-7 | 3-3-2 | 3-3-1 | 3-2-1 | 3-0-4 | 2-11-4 | 2-7-4 | 2-4-0 | 1-11-7 | 1-7-3 | 1-2-6 | 0-10-0 | 0-6-1 | 0-3-0 | | | | | | | | | | | | | | | |
| 7 TH WL. | | | 0-4-7 | 0-8-5 | 1-0-0 | 1-3-1 | 1-6-1 | 1-8-6 | 1-11-1 | 2-1-3 | 2-3-3 | 2-4-7 | 2-5-5 | 2-5-7 | 2-4-7 | 2-3-1 | 2-0-6 | 1-9-7 | 1-6-5 | 1-3-0 | 0-11-3 | 0-8-1 | 0-5-4 | 0-3-4 | 0-1-7 | | | | | | | | | | | | | | | | |
| 8 TH WL. | | | | 0-4-7 | 0-8-5 | 1-0-0 | 1-3-1 | 1-6-1 | 1-8-6 | 1-11-1 | 2-1-3 | 2-3-3 | 2-4-7 | 2-5-5 | 2-5-7 | 2-4-7 | 2-3-1 | 2-0-6 | 1-9-7 | 1-6-5 | 1-3-0 | 0-11-3 | 0-8-1 | 0-5-4 | 0-3-4 | 0-1-7 | | | | | | | | | | | | | | | |
| 9 TH WL. | | | | | 0-4-7 | 0-8-5 | 1-0-0 | 1-3-1 | 1-6-1 | 1-8-6 | 1-11-1 | 2-1-3 | 2-3-3 | 2-4-7 | 2-5-5 | 2-5-7 | 2-4-7 | 2-3-1 | 2-0-6 | 1-9-7 | 1-6-5 | 1-3-0 | 0-11-3 | 0-8-1 | 0-5-4 | 0-3-4 | 0-1-7 | | | | | | | | | | | | | | |
| 10 TH WL. | | | | | | 0-4-7 | 0-8-5 | 1-0-0 | 1-3-1 | 1-6-1 | 1-8-6 | 1-11-1 | 2-1-3 | 2-3-3 | 2-4-7 | 2-5-5 | 2-5-7 | 2-4-7 | 2-3-1 | 2-0-6 | 1-9-7 | 1-6-5 | 1-3-0 | 0-11-3 | 0-8-1 | 0-5-4 | 0-3-4 | 0-1-7 | | | | | | | | | | | | | |
| 11 TH WL. | | | | | | | 0-4-7 | 0-8-5 | 1-0-0 | 1-3-1 | 1-6-1 | 1-8-6 | 1-11-1 | 2-1-3 | 2-3-3 | 2-4-7 | 2-5-5 | 2-5-7 | 2-4-7 | 2-3-1 | 2-0-6 | 1-9-7 | 1-6-5 | 1-3-0 | 0-11-3 | 0-8-1 | 0-5-4 | 0-3-4 | 0-1-7 | | | | | | | | | | | | |
| 12 TH WL. | | | | | | | | 0-4-7 | 0-8-5 | 1-0-0 | 1-3-1 | 1-6-1 | 1-8-6 | 1-11-1 | 2-1-3 | 2-3-3 | 2-4-7 | 2-5-5 | 2-5-7 | 2-4-7 | 2-3-1 | 2-0-6 | 1-9-7 | 1-6-5 | 1-3-0 | 0-11-3 | 0-8-1 | 0-5-4 | 0-3-4 | 0-1-7 | | | | | | | | | | | |
| 13 TH WL. | | | | | | | | | 0-4-7 | 0-8-5 | 1-0-0 | 1-3-1 | 1-6-1 | 1-8-6 | 1-11-1 | 2-1-3 | 2-3-3 | 2-4-7 | 2-5-5 | 2-5-7 | 2-4-7 | 2-3-1 | 2-0-6 | 1-9-7 | 1-6-5 | 1-3-0 | 0-11-3 | 0-8-1 | 0-5-4 | 0-3-4 | | | | | | | | | | | |
| 14 TH WL. | | | | | | | | | | 0-4-7 | 0-8-5 | 1-0-0 | 1-3-1 | 1-6-1 | 1-8-6 | 1-11-1 | 2-1-3 | 2-3-3 | 2-4-7 | 2-5-5 | 2-5-7 | 2-4-7 | 2-3-1 | 2-0-6 | 1-9-7 | 1-6-5 | 1-3-0 | 0-11-3 | 0-8-1 | 0-5-4 | | | | | | | | | | | |
| 15 TH WL. | | | | | | | | | | | 0-4-7 | 0-8-5 | 1-0-0 | 1-3-1 | 1-6-1 | 1-8-6 | 1-11-1 | 2-1-3 | 2-3-3 | 2-4-7 | 2-5-5 | 2-5-7 | 2-4-7 | 2-3-1 | 2-0-6 | 1-9-7 | 1-6-5 | 1-3-0 | 0-11-3 | 0-8-1 | | | | | | | | | | | |
| 16 TH WL. | | | | | | | | | | | | 0-4-7 | 0-8-5 | 1-0-0 | 1-3-1 | 1-6-1 | 1-8-6 | 1-11-1 | 2-1-3 | 2-3-3 | 2-4-7 | 2-5-5 | 2-5-7 | 2-4-7 | 2-3-1 | 2-0-6 | 1-9-7 | 1-6-5 | 1-3-0 | 0-11-3 | | | | | | | | | | | |
| 17 TH WL. | | | | | | | | | | | | | 0-4-7 | 0-8-5 | 1-0-0 | 1-3-1 | 1-6-1 | 1-8-6 | 1-11-1 | 2-1-3 | 2-3-3 | 2-4-7 | 2-5-5 | 2-5-7 | 2-4-7 | 2-3-1 | 2-0-6 | 1-9-7 | 1-6-5 | 1-3-0 | | | | | | | | | | | |
| 18 TH WL. | | | | | | | | | | | | | | 0-4-7 | 0-8-5 | 1-0-0 | 1-3-1 | 1-6-1 | 1-8-6 | 1-11-1 | 2-1-3 | 2-3-3 | 2-4-7 | 2-5-5 | 2-5-7 | 2-4-7 | 2-3-1 | 2-0-6 | 1-9-7 | 1-6-5 | 1-3-0 | | | | | | | | | | |
| 19 TH WL. | | | | | | | | | | | | | | | 0-4-7 | 0-8-5 | 1-0-0 | 1-3-1 | 1-6-1 | 1-8-6 | 1-11-1 | 2-1-3 | 2-3-3 | 2-4-7 | 2-5-5 | 2-5-7 | 2-4-7 | 2-3-1 | 2-0-6 | 1-9-7 | 1-6-5 | 1-3-0 | | | | | | | | | |
| 20 TH WL. | | | | | | | | | | | | | | | | 0-4-7 | 0-8-5 | 1-0-0 | 1-3-1 | 1-6-1 | 1-8-6 | 1-11-1 | 2-1-3 | 2-3-3 | 2-4-7 | 2-5-5 | 2-5-7 | 2-4-7 | 2-3-1 | 2-0-6 | 1-9-7 | 1-6-5 | 1-3-0 | | | | | | | | |
| 21 TH WL. | | | | | | | | | | | | | | | | | 0-4-7 | 0-8-5 | 1-0-0 | 1-3-1 | 1-6-1 | 1-8-6 | 1-11-1 | 2-1-3 | 2-3-3 | 2-4-7 | 2-5-5 | 2-5-7 | 2-4-7 | 2-3-1 | 2-0-6 | 1-9-7 | 1-6-5 | 1-3-0 | | | | | | | |
| 22 TH WL. | | | | | | | | | | | | | | | | | | 0-4-7 | 0-8-5 | 1-0-0 | 1-3-1 | 1-6-1 | 1-8-6 | 1-11-1 | 2-1-3 | 2-3-3 | 2-4-7 | 2-5-5 | 2-5-7 | 2-4-7 | 2-3-1 | 2-0-6 | 1-9-7 | 1-6-5 | 1-3-0 | | | | | | |
| 23 TH WL. | | | | | | | | | | | | | | | | | | | 0-4-7 | 0-8-5 | 1-0-0 | 1-3-1 | 1-6-1 | 1-8-6 | 1-11-1 | 2-1-3 | 2-3-3 | 2-4-7 | 2-5-5 | 2-5-7 | 2-4-7 | 2-3-1 | 2-0-6 | 1-9-7 | 1-6-5 | 1-3-0 | | | | | |
| 24 TH WL. | | | | | | | | | | | | | | | | | | | | 0-4-7 | 0-8-5 | 1-0-0 | 1-3-1 | 1-6-1 | 1-8-6 | 1-11-1 | 2-1-3 | 2-3-3 | 2-4-7 | 2-5-5 | 2-5-7 | 2-4-7 | 2-3-1 | 2-0-6 | 1-9-7 | 1-6-5 | 1-3-0 | | | | |
| 25 TH WL. | | | | | | | | | | | | | | | | | | | | | 0-4-7 | 0-8-5 | 1-0-0 | 1-3-1 | 1-6-1 | 1-8-6 | 1-11-1 | 2-1-3 | 2-3-3 | 2-4-7 | 2-5-5 | 2-5-7 | 2-4-7 | 2-3-1 | 2-0-6 | 1-9-7 | 1-6-5 | 1-3-0 | | | |
| 26 TH WL. | | | | | | | | | | | | | | | | | | | | | | 0-4-7 | 0-8-5 | 1-0-0 | 1-3-1 | 1-6-1 | 1-8-6 | 1-11-1 | 2-1-3 | 2-3-3 | 2-4-7 | 2-5-5 | 2-5-7 | 2-4-7 | 2-3-1 | 2-0-6 | 1-9-7 | 1-6-5 | 1-3-0 | | |
| 27 TH WL. | | | | | | | | | | | | | | | | | | | | | | | 0-4-7 | 0-8-5 | 1-0-0 | 1-3-1 | 1-6-1 | 1-8-6 | 1-11-1 | 2-1-3 | 2-3-3 | 2-4-7 | 2-5-5 | 2-5-7 | 2-4-7 | 2-3-1 | 2-0-6 | 1-9-7 | 1-6-5 | 1-3-0 | |
| 28 TH WL. | | | | | | | | | | | | | | | | | | | | | | | | 0-4-7 | 0-8-5 | 1-0-0 | 1-3-1 | 1-6-1 | 1-8-6 | 1-11-1 | 2-1-3 | 2-3-3 | 2-4-7 | 2-5-5 | 2-5-7 | 2-4-7 | 2-3-1 | 2-0-6 | 1-9-7 | 1-6-5 | 1-3-0 |

RESTORATION 1927-1930
 U.S. FRIGATE CONSTITUTION
 28 FOOT CUTLER
 LINES & MOLD LOFT DIMENSIONS
 NAVY YARD BOSTON NOV. 18-1930

SCALE 1"=11'

APPROVED FOR MANAGER

LIEUT. (C.C.) U.S.N.
 SUPT. OF RESTORATION

No. 22357