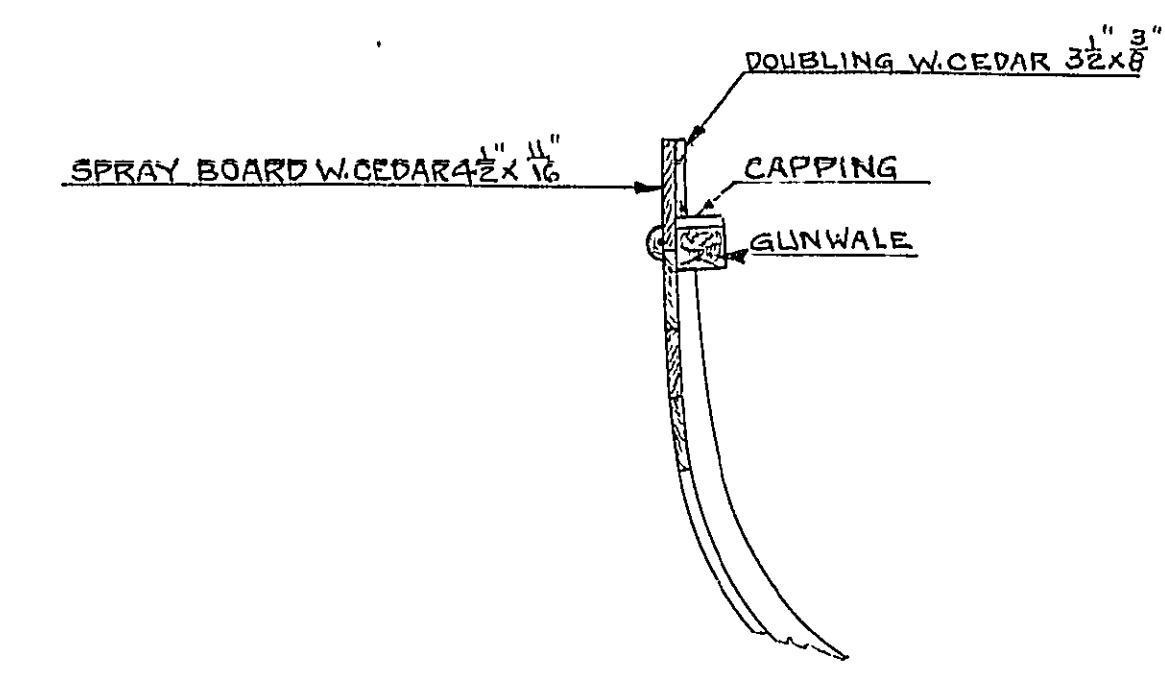
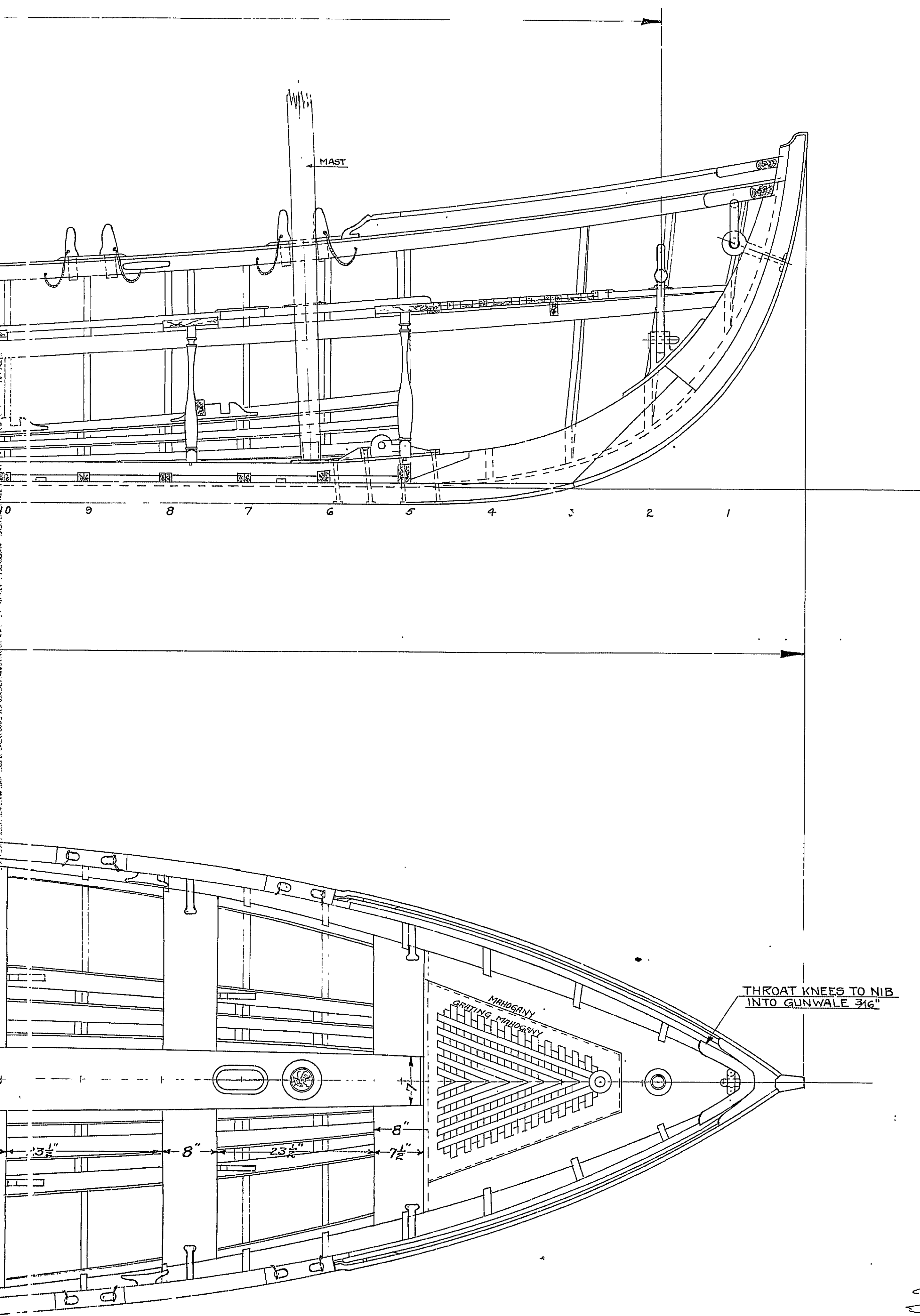
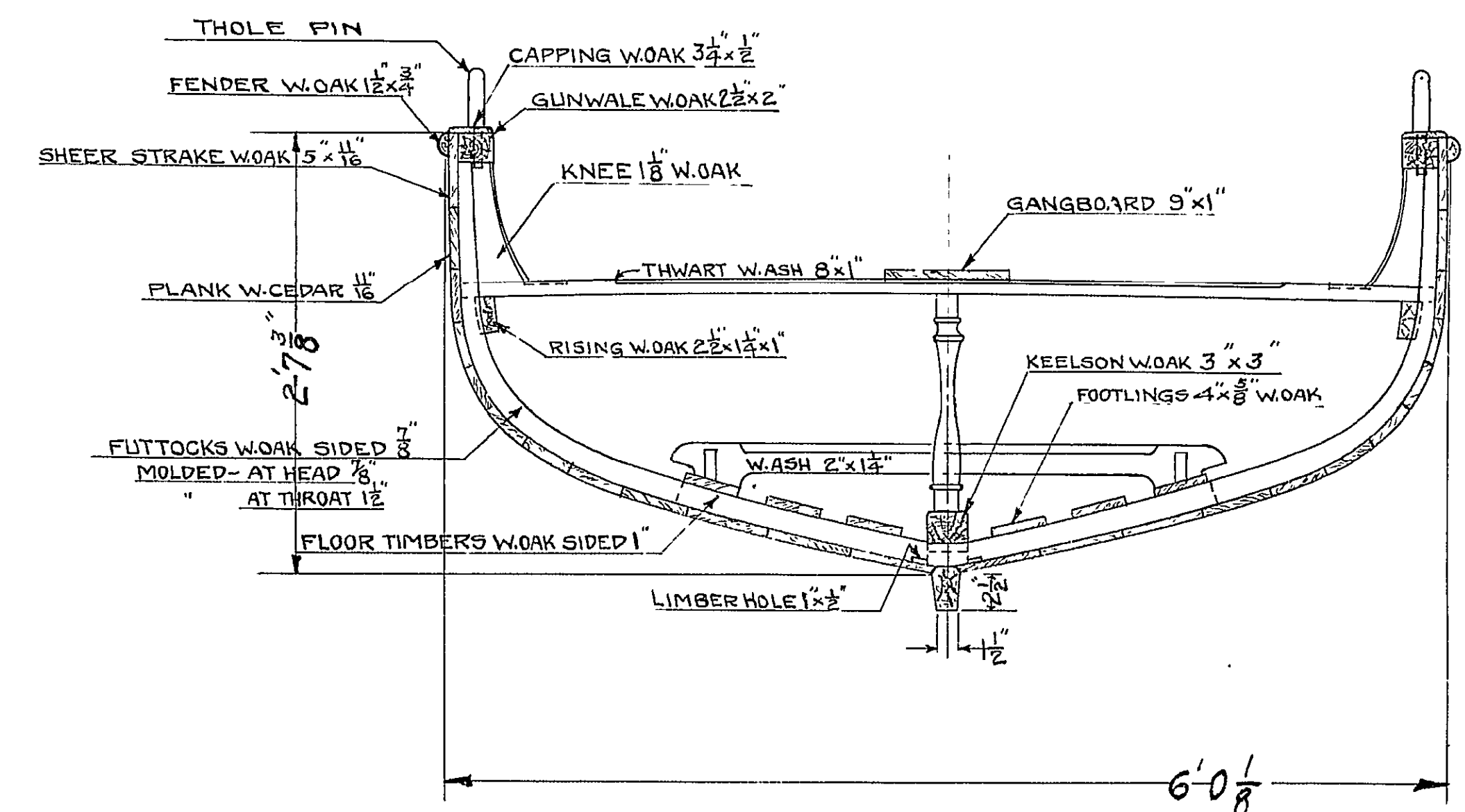


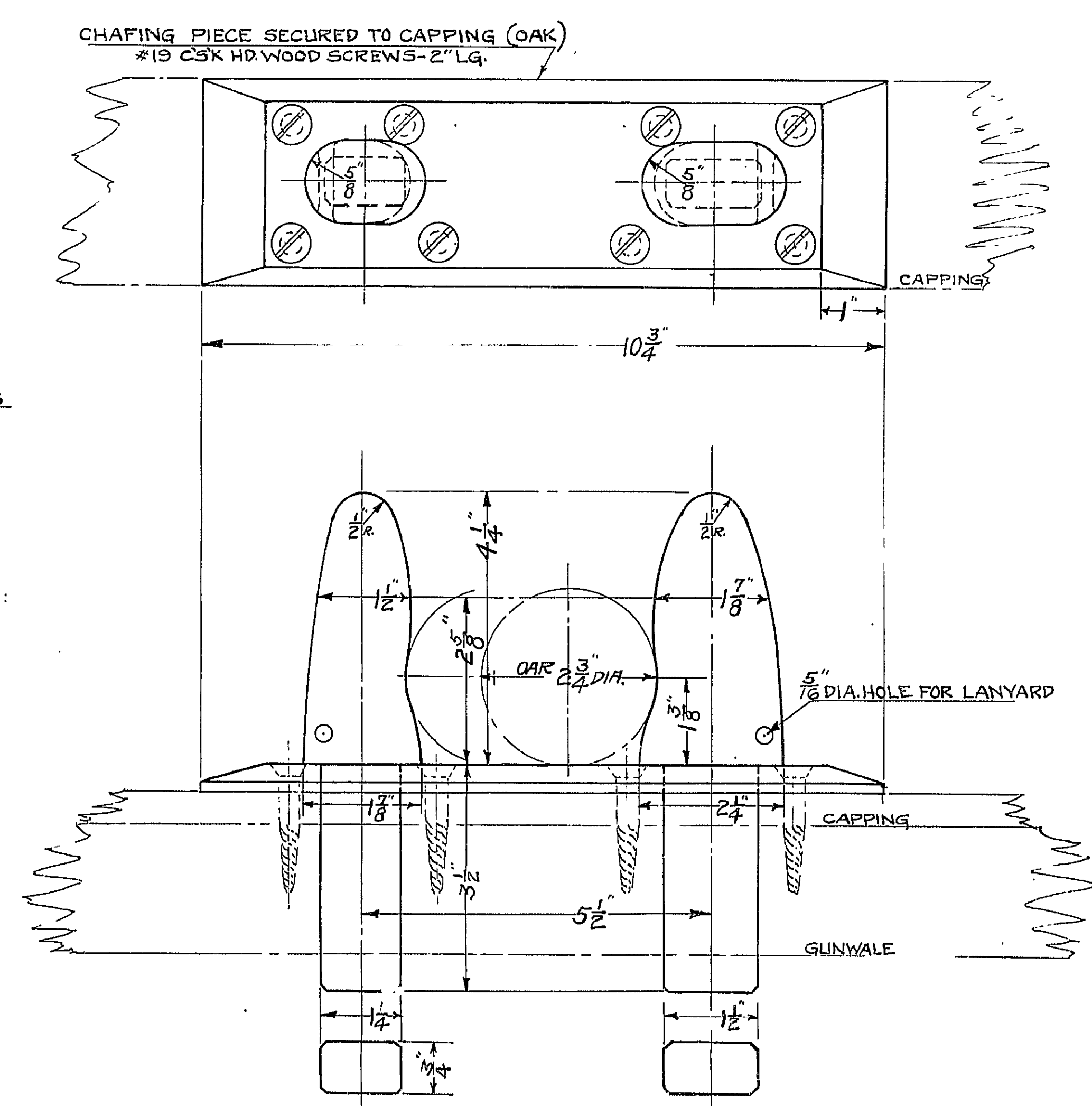
IN CHARGE OF WORK: J. A. LORD LIEUT. (C.C.) U.S.N.  
 DRAWN BY: J. C. GAMBLE  
 TRACED BY: J. C. G.



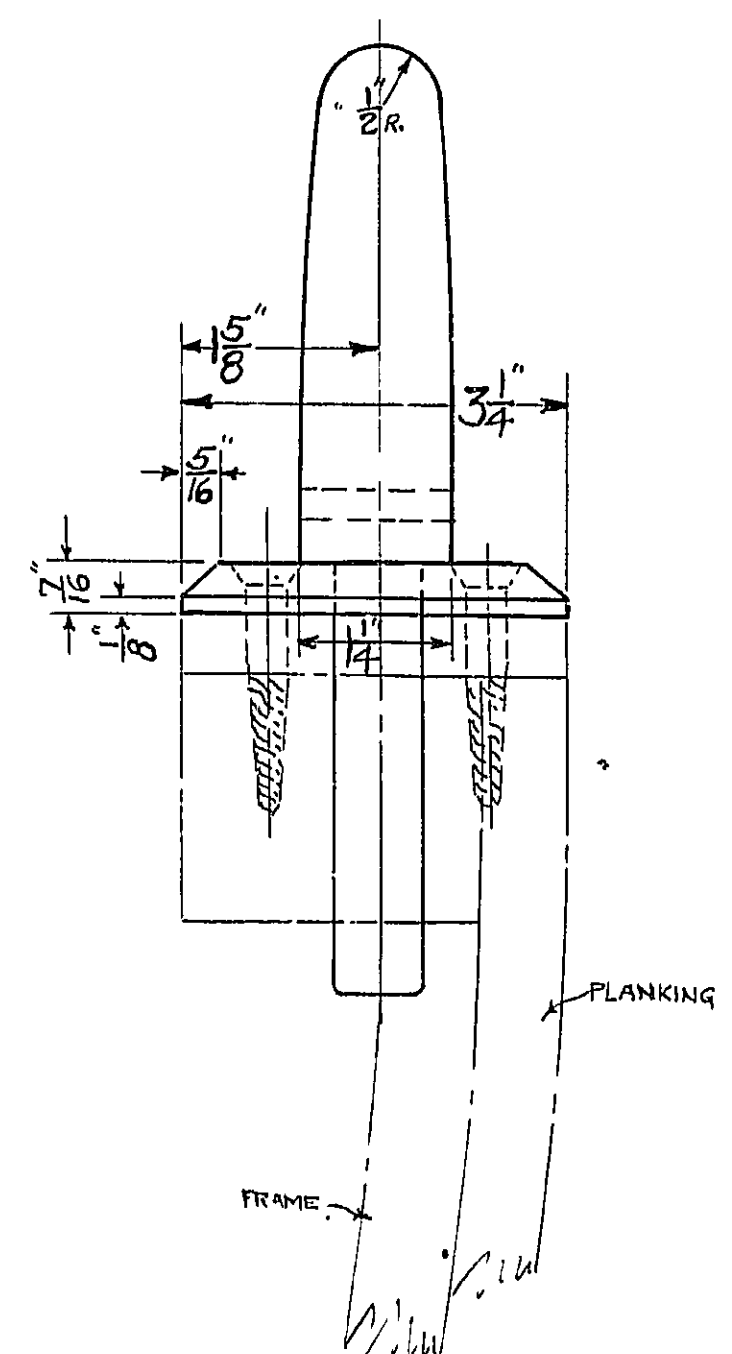
SECTION THRU BOAT  
IN WAY OF SPRAY BOARD



NOTES:  
FOR DETAILS OF FITTINGS SEE PLAN No. 23473  
LINES AND MOLD LOFT DIMENSIONS No. 23477



OLD STYLE THOLE PINS  
MAKE 24 - LIGNUMVITAE  
SCALE 6\"/>



REGISTRY No. 12120

CORRECTED FOR FINISHED PLAN

RESTORATION 1927-1931

U.S. FRIGATE CONSTITUTION  
28 FOOT GIG WHALEBOAT  
GENERAL ARRANGEMENT & MIDSHIP SECTION  
NAVY YARD, BOSTON MARCH 1931

SCALE - 1\"/>

APPROVED FOR MANAGER

*John O. Lord*  
LIEUT. (C.C.) U.S.N.  
SUPT. OF RECONSTRUCTION

No. 23478

COR #167192

53418 U.S. FRIGATE CONSTITUTION 28 FT. GIG WHALEBOAT GENERAL ARRANGEMENT & MIDSHIP SECTION 53418