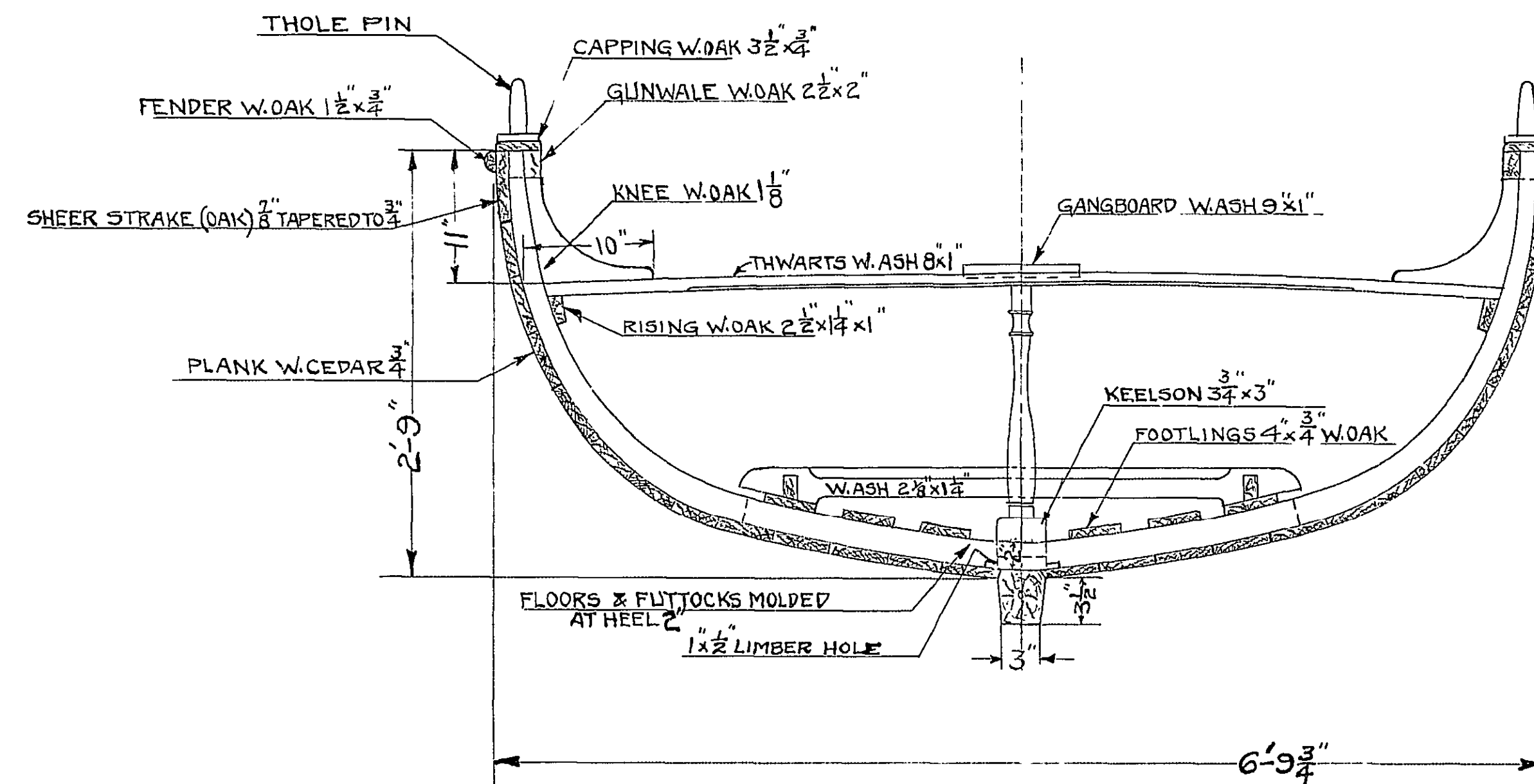
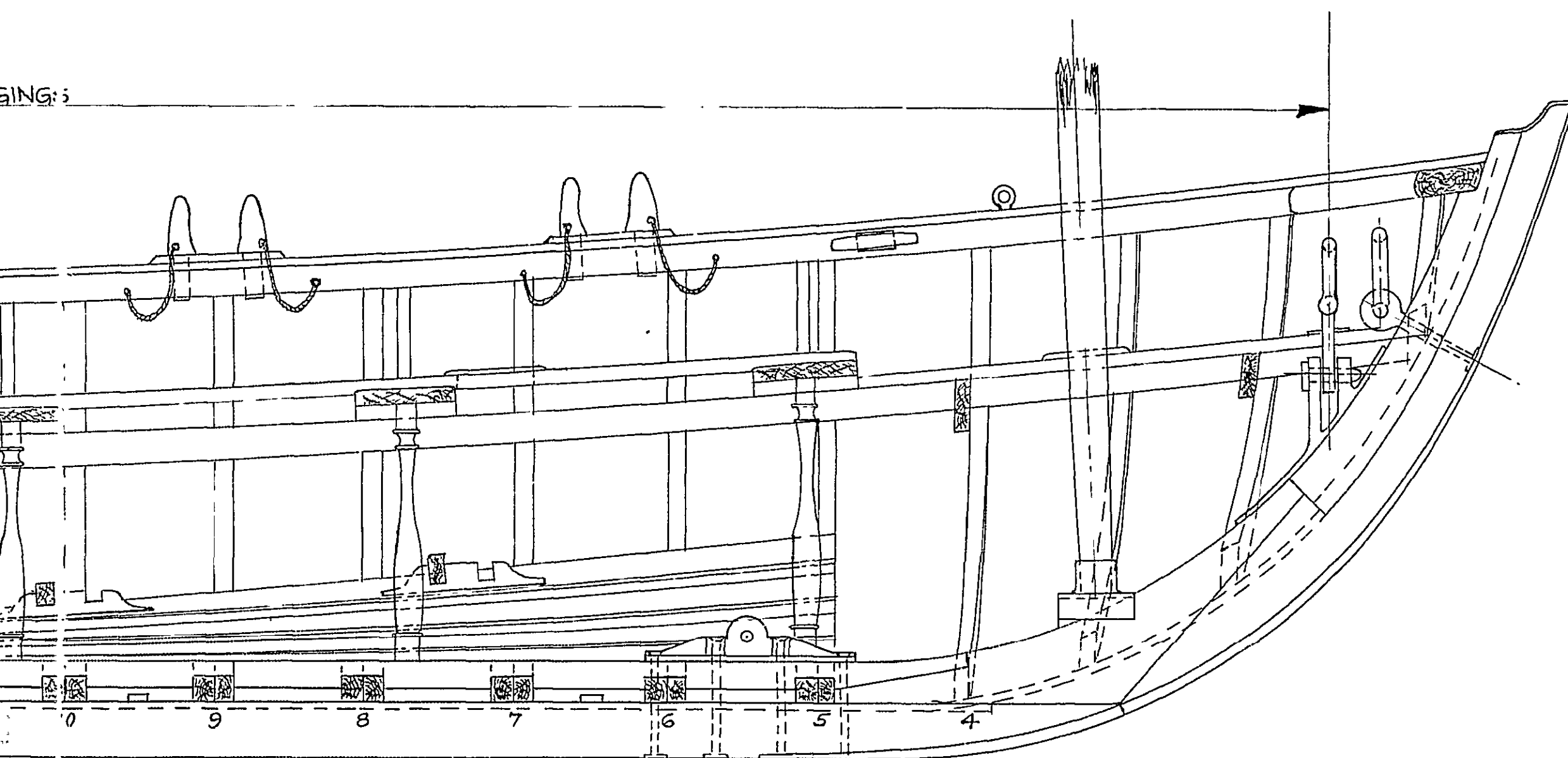
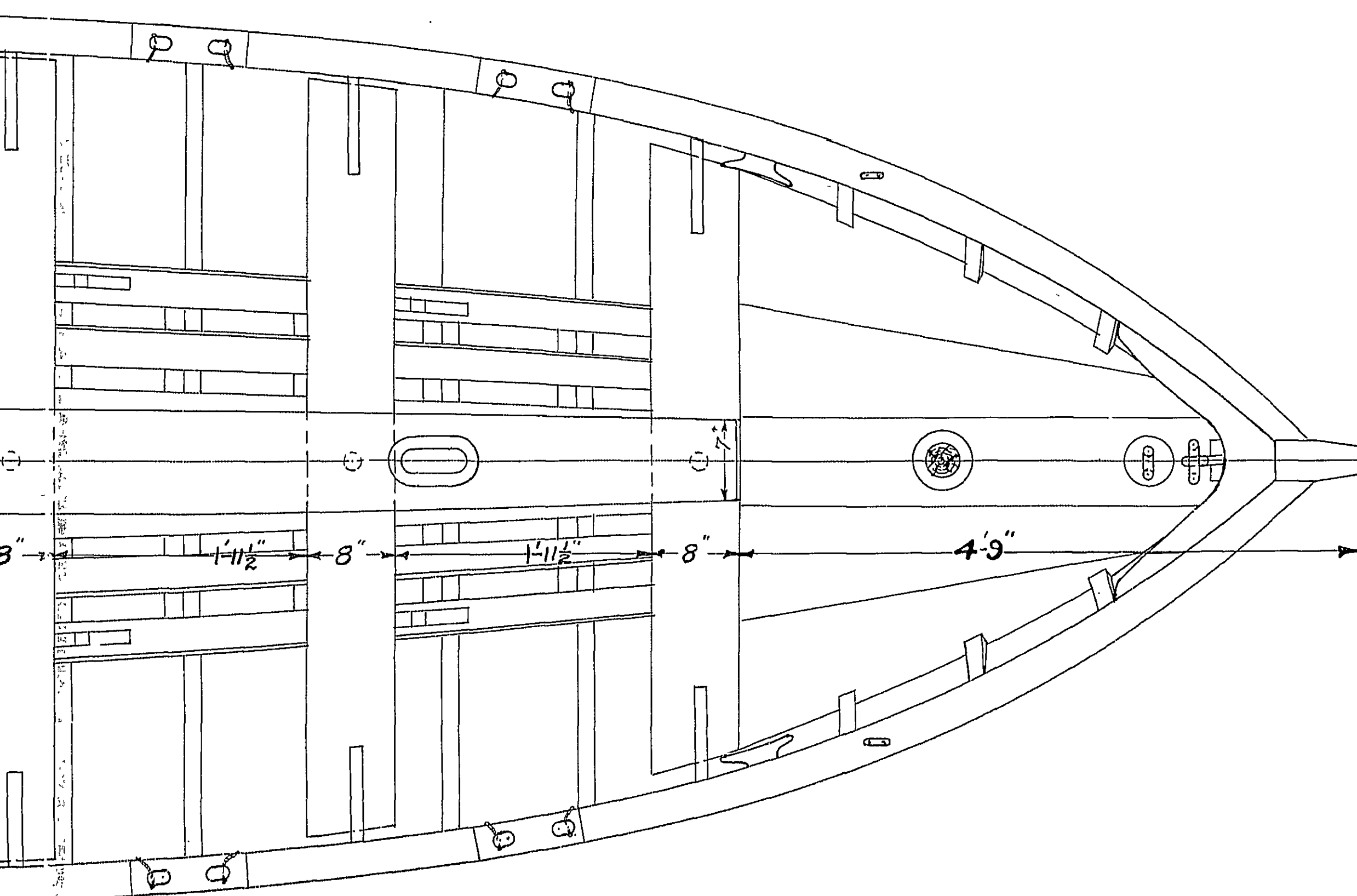


IN CHARGE OF WORK: LIEUT. J.A. LORD (C.C.) U.S.N.
DRAWN BY: J.C. GAMBLE
TRACED BY: J.C.G.



- NOTES:
1. FOR DETAILS OF THOLE PINS SEE PLAN No. 23478 (GEN. ARR'GT OF 28 FT. GIG WHALEBOAT)
 2. FOR DETAILS OF OTHER FITTINGS SEE PLAN No. 23482
 3. LINES AND MOLD LOFT DIMENSIONS - 28 FT. WHALEBOAT No. 23396



2-28^{FT} WHALEBOATS - REGISTRY Nos. 12117 - 12118

CORRECTED FOR FINISHED PLAN

RESTORATION 1927-1931

U.S. FRIGATE CONSTITUTION

28 FOOT WHALEBOAT

GENERAL ARRANGEMENT & MIDSHIP SECTION

NAVY YARD BOSTON FEB. 1931

SCALE 1"=1 FT.

APPROVED FOR MANAGER

John O. Lord
 LIEUT. (C.C.) U.S.N.
 SUPT. OF RESTORATION

No. 23397

C+R*167194

U.S. FRIGATE CONSTITUTION CO. LINDI WHARF BOSTON GENERAL ARRANGEMENT & MIDSHIP SECTION