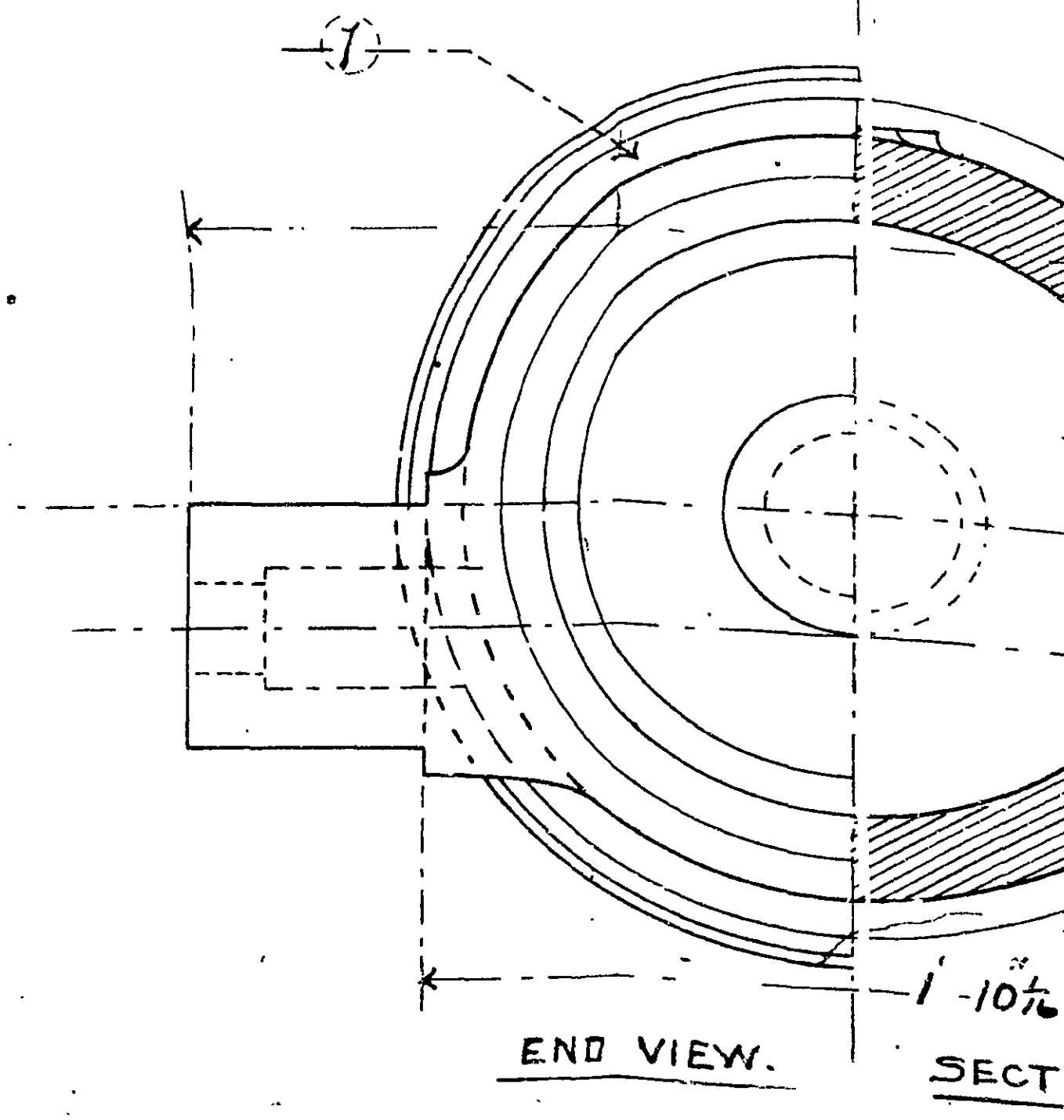


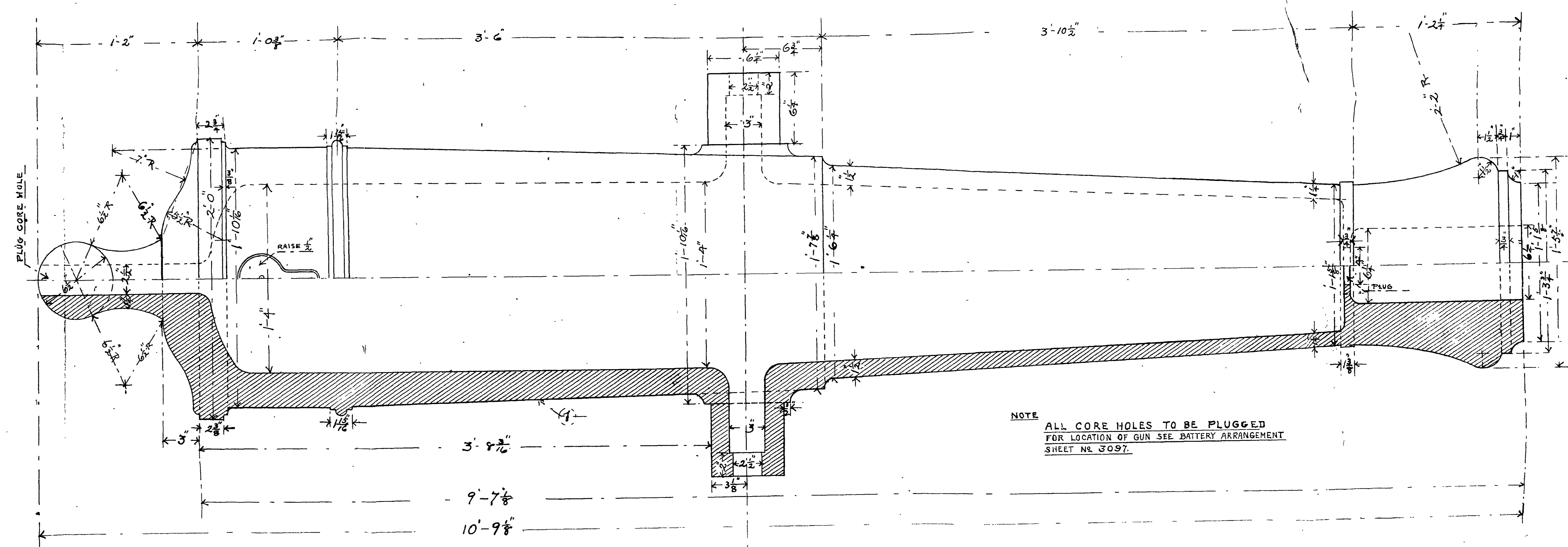
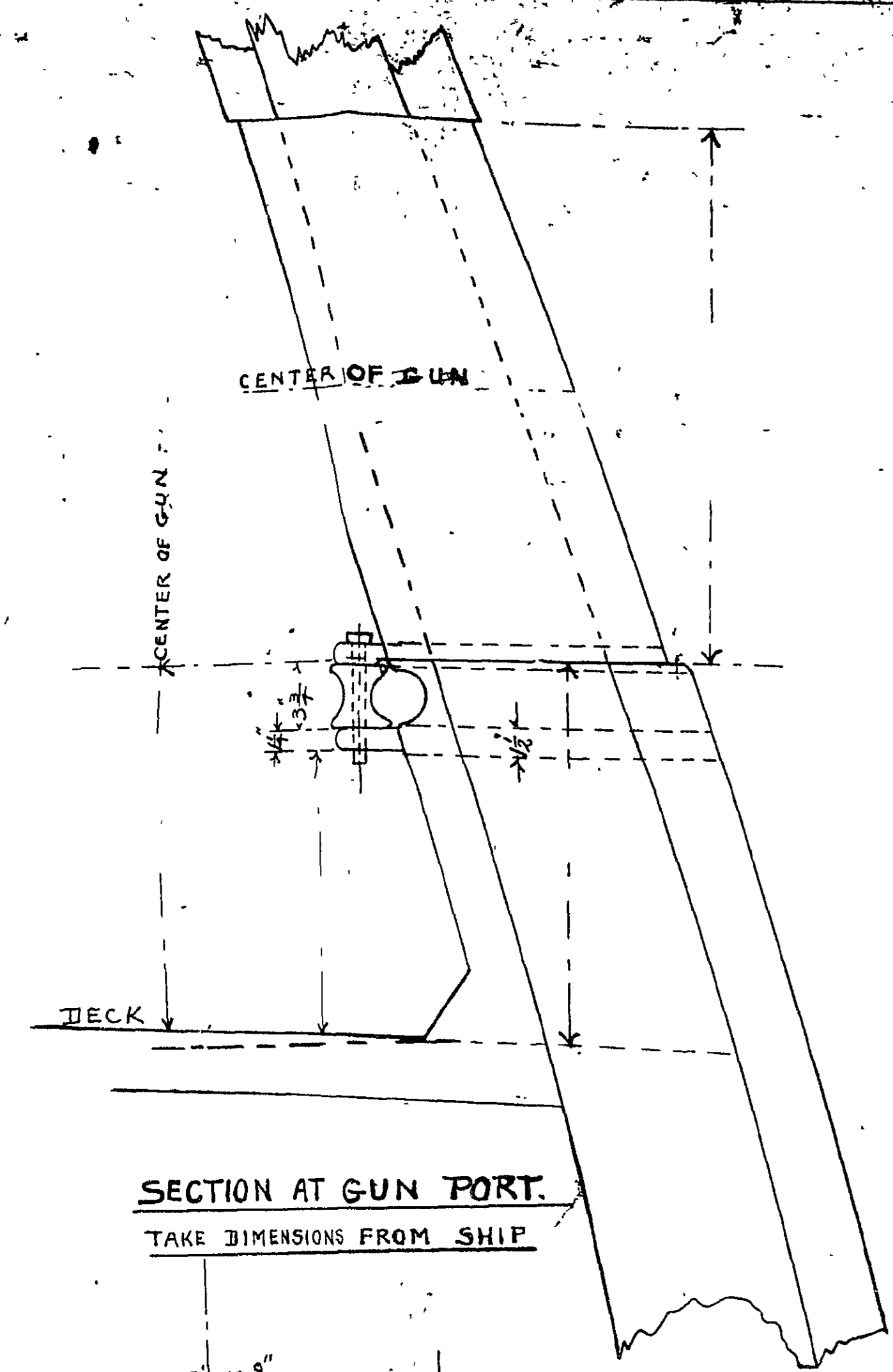
SCHEDULE OF MATERIAL

MARK	QTY	DESCRIPTION	MATERIAL	REMARKS
1	22	32 PDR. GUN	CAST IRON, SCRAP	NO FINISH. PLUG CORE HOLE
2	44	GUN CARRIAGE CHEEKS	YELLOW PINE	22 RIGHT 22 LEFT
3	88	TRUCKS	CAST IRON	OUTER & INNER
4				
5	22	AXLETREE	OAK	OUTER
6	22	"	"	INNER
7	22	TRANSOM	"	"
8	22	BREAST PIECE	"	"
9	22	COIN, ELEVATING	"	WITH HANDLE & PEG
10	22	COIN BED	"	"
11	44	CHOCKING "COIN"	"	WITH HANDLE
12	44	TRUNNION CAP	CAST IRON	"
13	44	TRUNNION BOLT (HORN)	WRI IRON	WITH NUT AND WASHER
14	44	LAG SCREW	"	"
15	44	CHEEK BOLT (SIDE)	"	"
16	44	AXLETREE BOLT	"	"
17	22	CROSS BOLT (CHEEK)	"	"
18	44	" (TRANSOM)	"	"
19	88	LINCH PIN	LIVE OAK	"
20	44	AXLETREE BRACE	CAST IRON	"
21	22	RELIEVING BOLT	WRI IRON	EYE BOLT WITH PLATE
22	22	TRAINING BOLT (ALLE)	"	"
23	88	CHEEK SIDE EYE BOLT	"	"
24	44	SIDE TACKLE RING BOLT	"	"
25	44	SPIKE	"	"

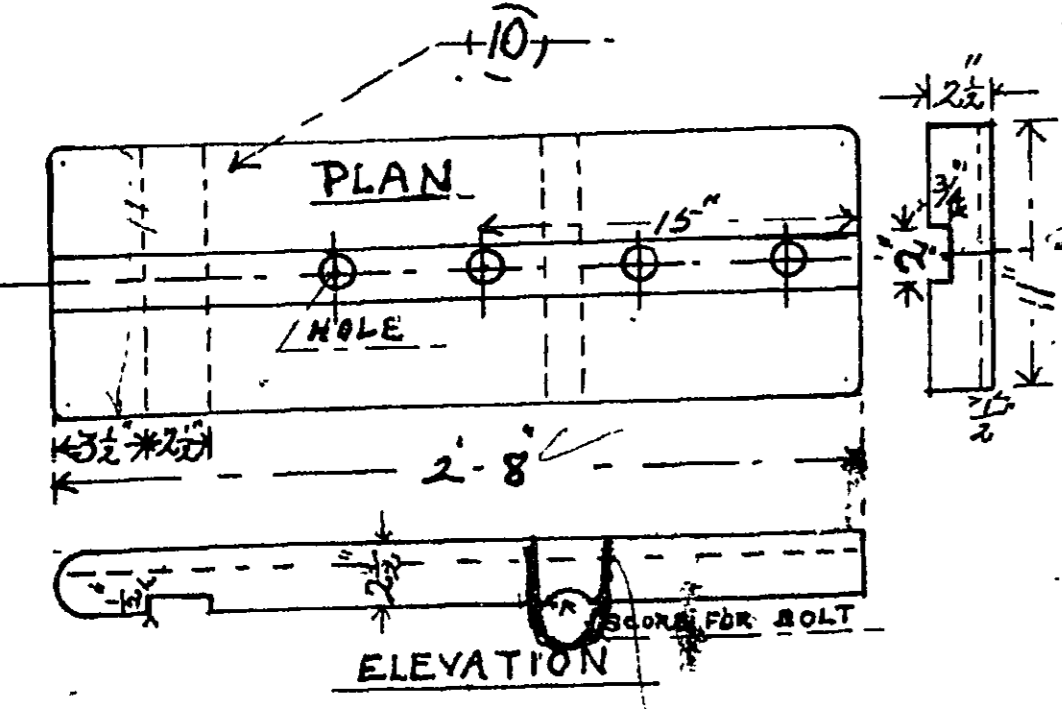
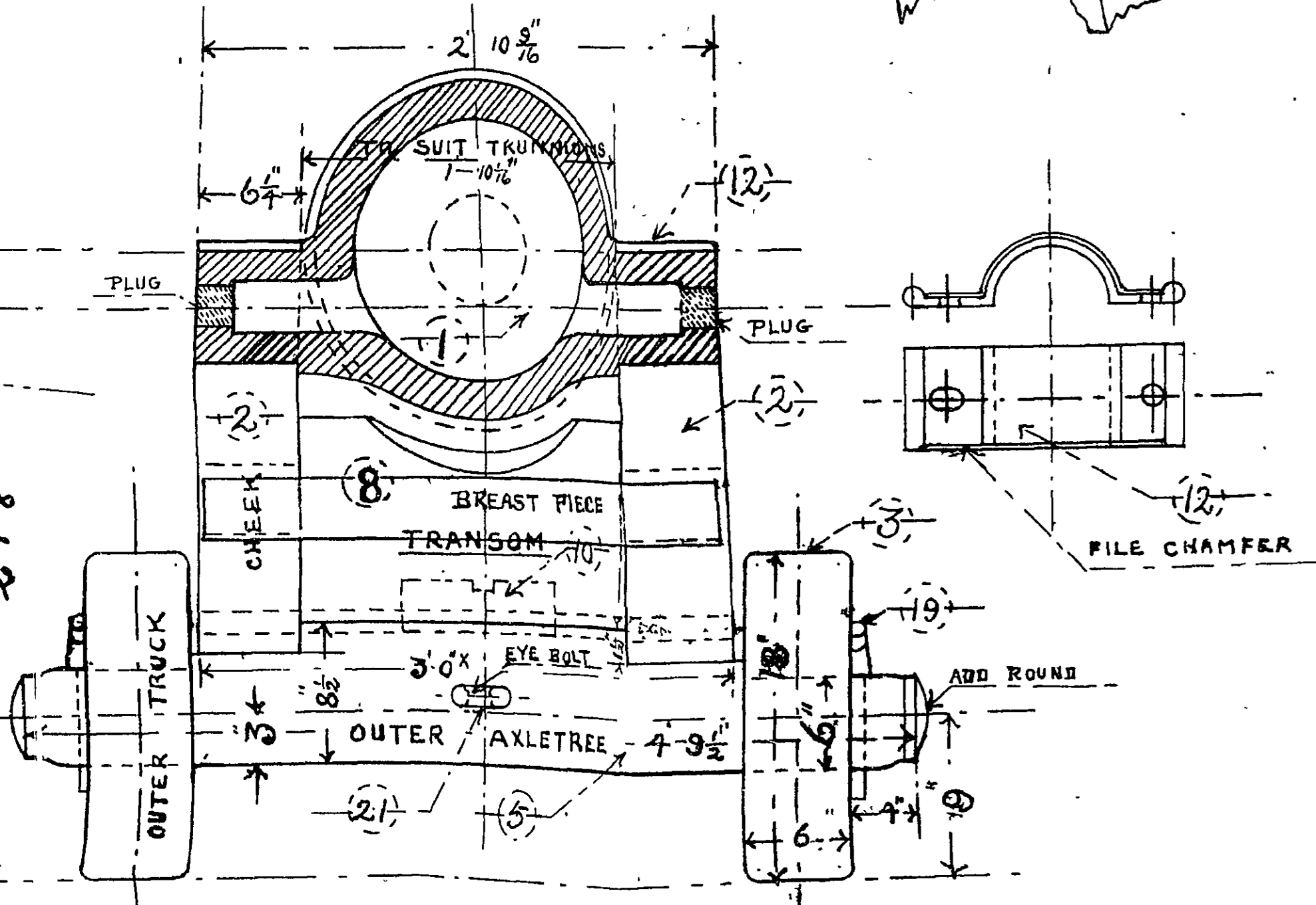


C. STU. MOORE
C. H. SIMMONS

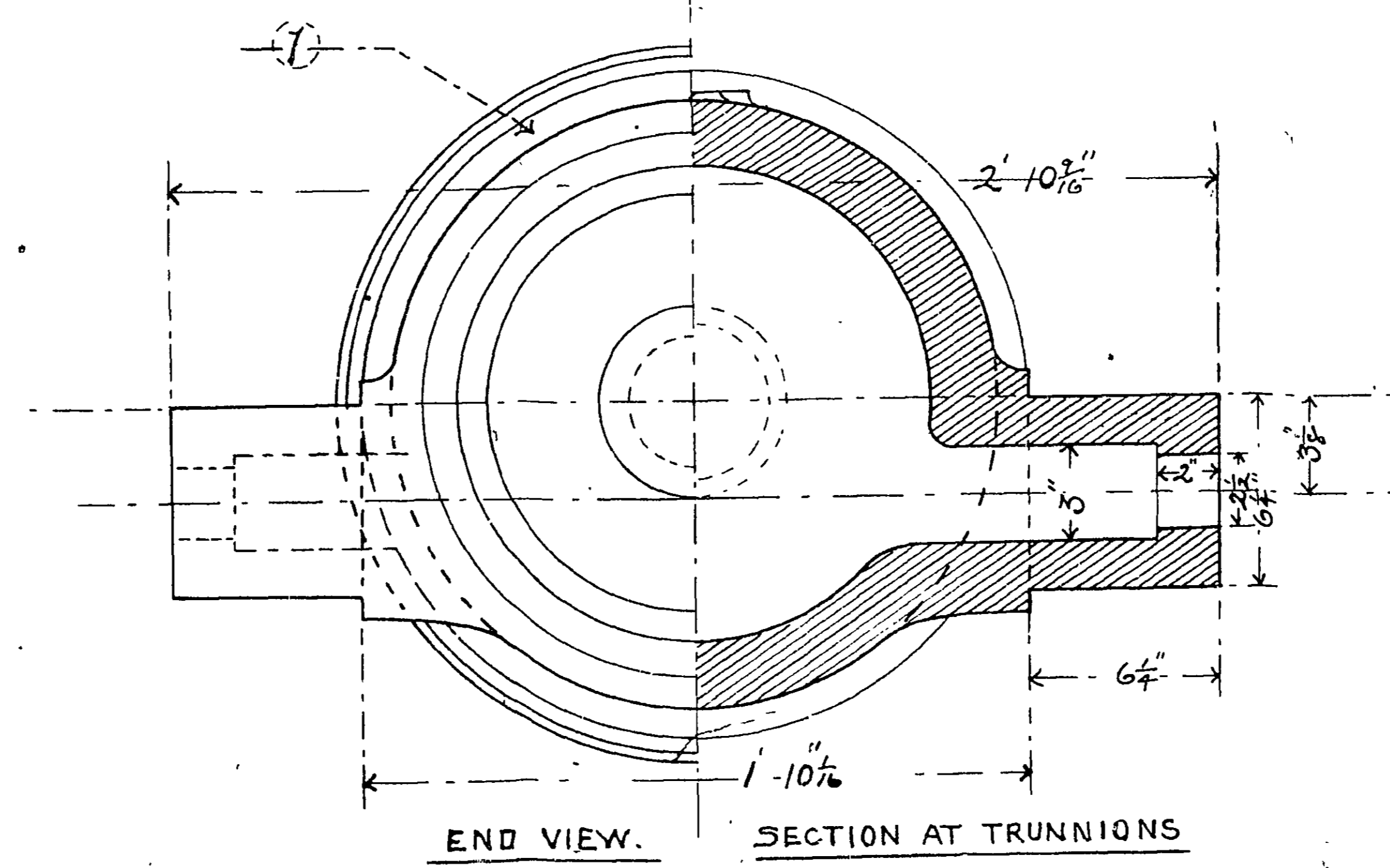
17243



NOTE
ALL CORE HOLES TO BE PLUGGED
FOR LOCATION OF GUN SEE BATTERY ARRANGEMENT
SHEET NO. 3097.



MARK	QTY	DESCRIPTION	MATERIAL	REMARKS
1	22	32 PDR. GUN	CAST IRON, SCRIP	NO FINISH, PLUG CORE HOLE
2	44	GUN CARRIAGE CHEEKS	YELLOW PINE	22 RIGHT, 22 LEFT.
3	88	TRUCKS	CAST IRON	OUTER & INNER
4				
5	22	AXLE TREE	OAK	OUTER
6	22	"	"	INNER
7	22	TRANSOM	"	"
8	22	BREAST PIECE	"	"
9	22	COIN, ELEVATING	"	WITH HANDLE & PEG
10	22	COIN, BED	"	"
11	44	CHOCKING "COIN"	"	WITH HANDLE
12	44	TRUNNION CAP	CAST IRON	"
13	44	TRUNNION BOLT (HEAD)	WRT IRON	WITH NUT AND WASHER
14	44	LAG SCREW	"	"
15	44	CHEEK BOLT (SIDE)	"	"
16	44	AXLE TREE BOLT	"	"
17	22	CROSS BOLT (CHEEK)	"	"
18	44	" (TRANSOM)	"	"
19	88	LINCH PIN	LIVE OAK	"
20	44	AXLE TREE BRACE	CAST IRON	"
21	22	RELIEVING BOLT	WRT IRON	EYE BOLT WITH PLATE
22	22	TRAINING BOLT (HEAD)	"	"
23	88	CHEEK SIDE EYE BOLT	"	"
24	44	SIDE TACKLE RING BOLT	"	"
25	44	SPIKE	"	"



Mr Bates } Feb 28
" Greene }
" Paul }

U.S. FRIGATE OF CONSTITUTION.

32 PDR. GUN AND GUN CARRIAGE.

U.S. NAVY YARD, BOSTON JAN. 1907.

SCALE 1/4" AND 3/8" = 1 FOOT.

NAVAL CONSTRUCTOR, U.S.N.

SHEET NO. 3047.

14933 p262

1493