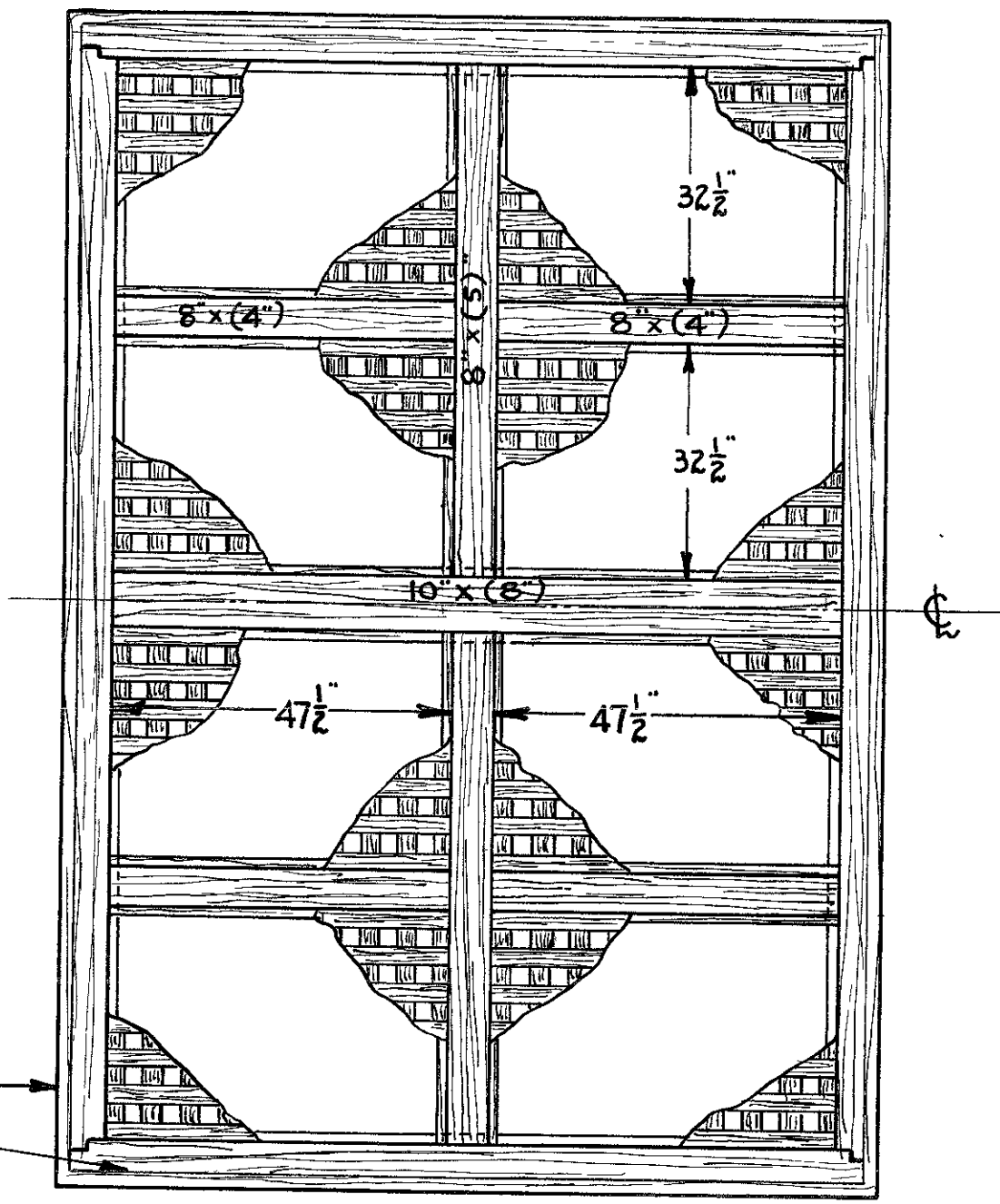
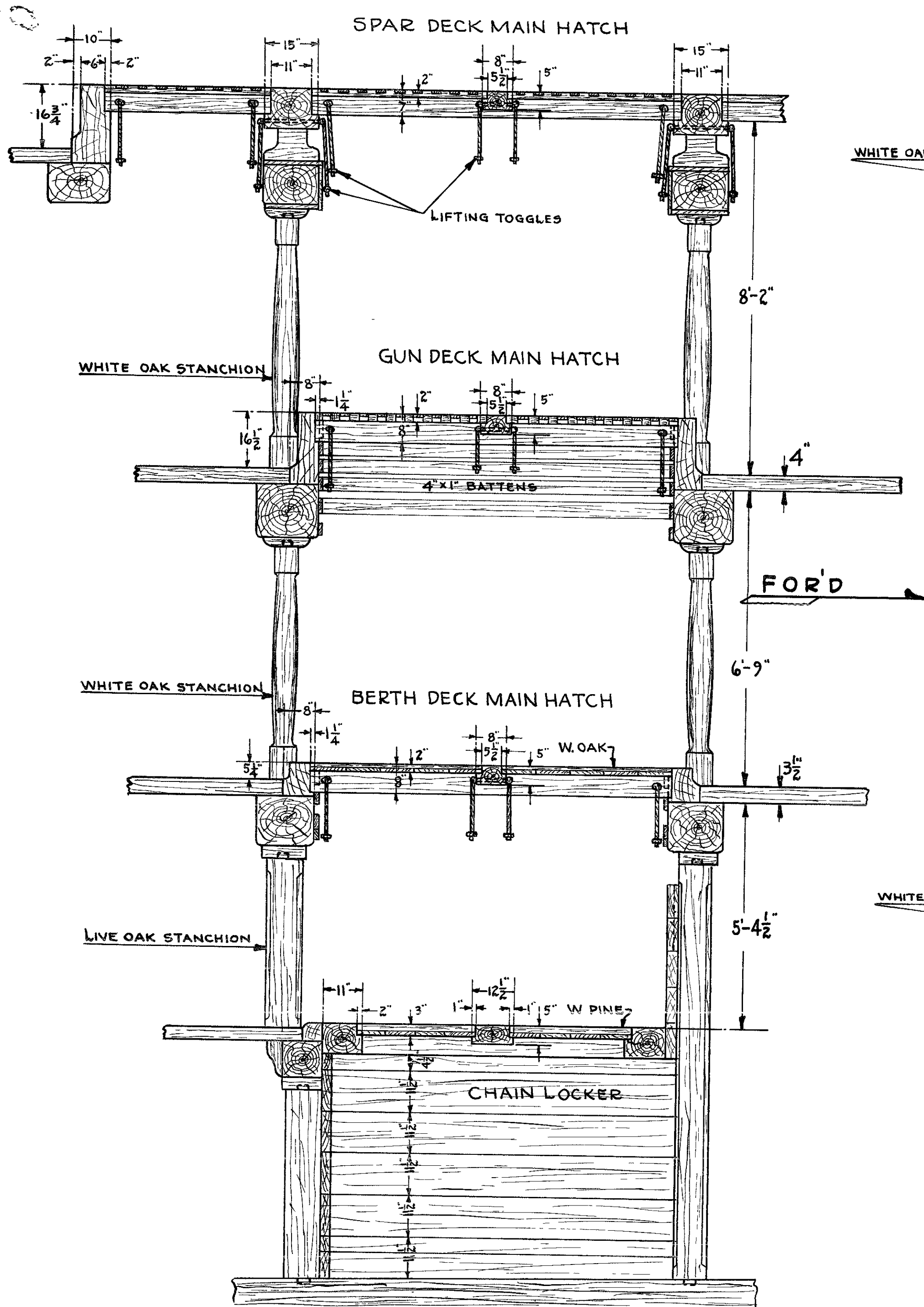


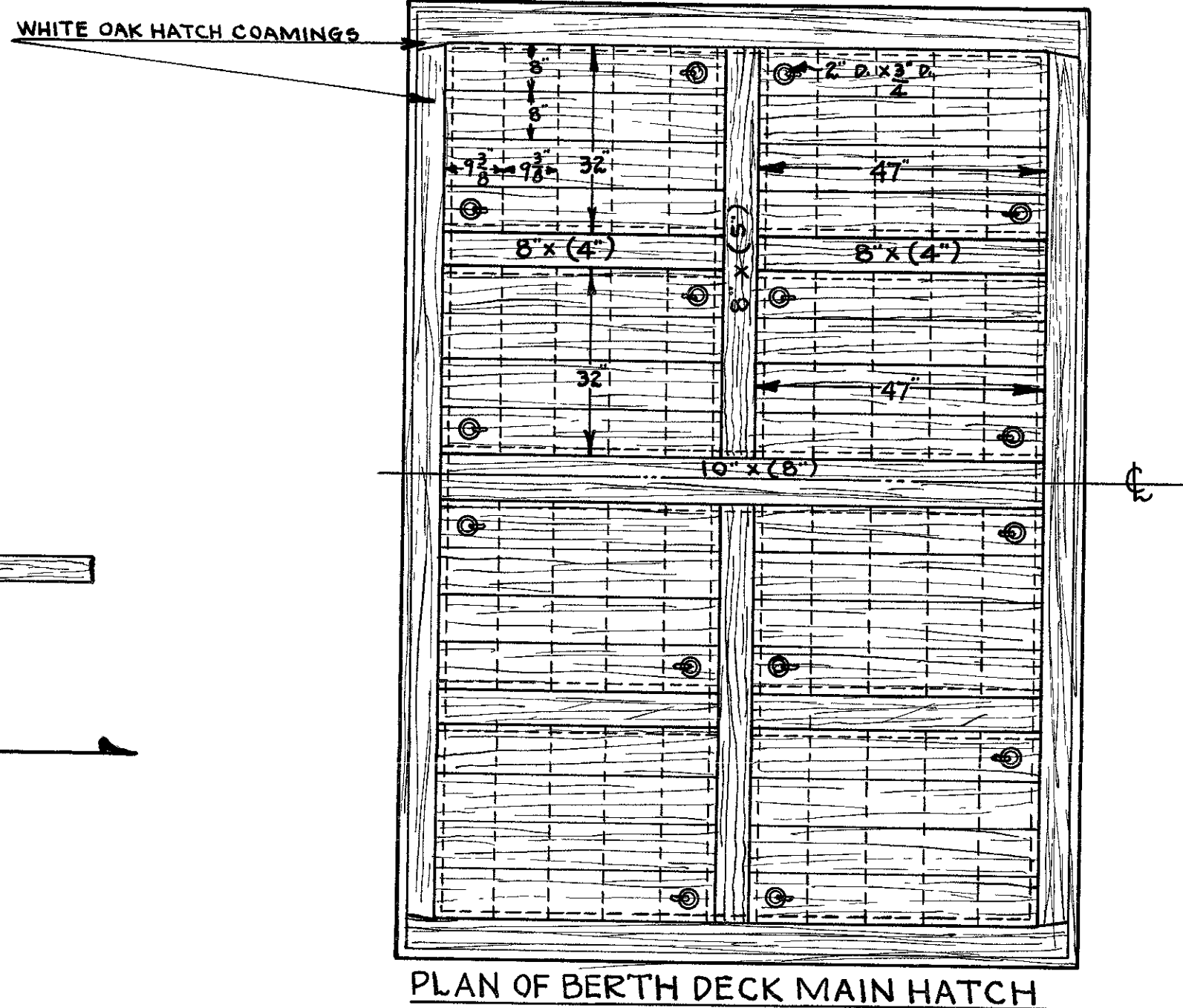
PLAN OF SPAR DECK MAIN HATCH
(AFTER END)



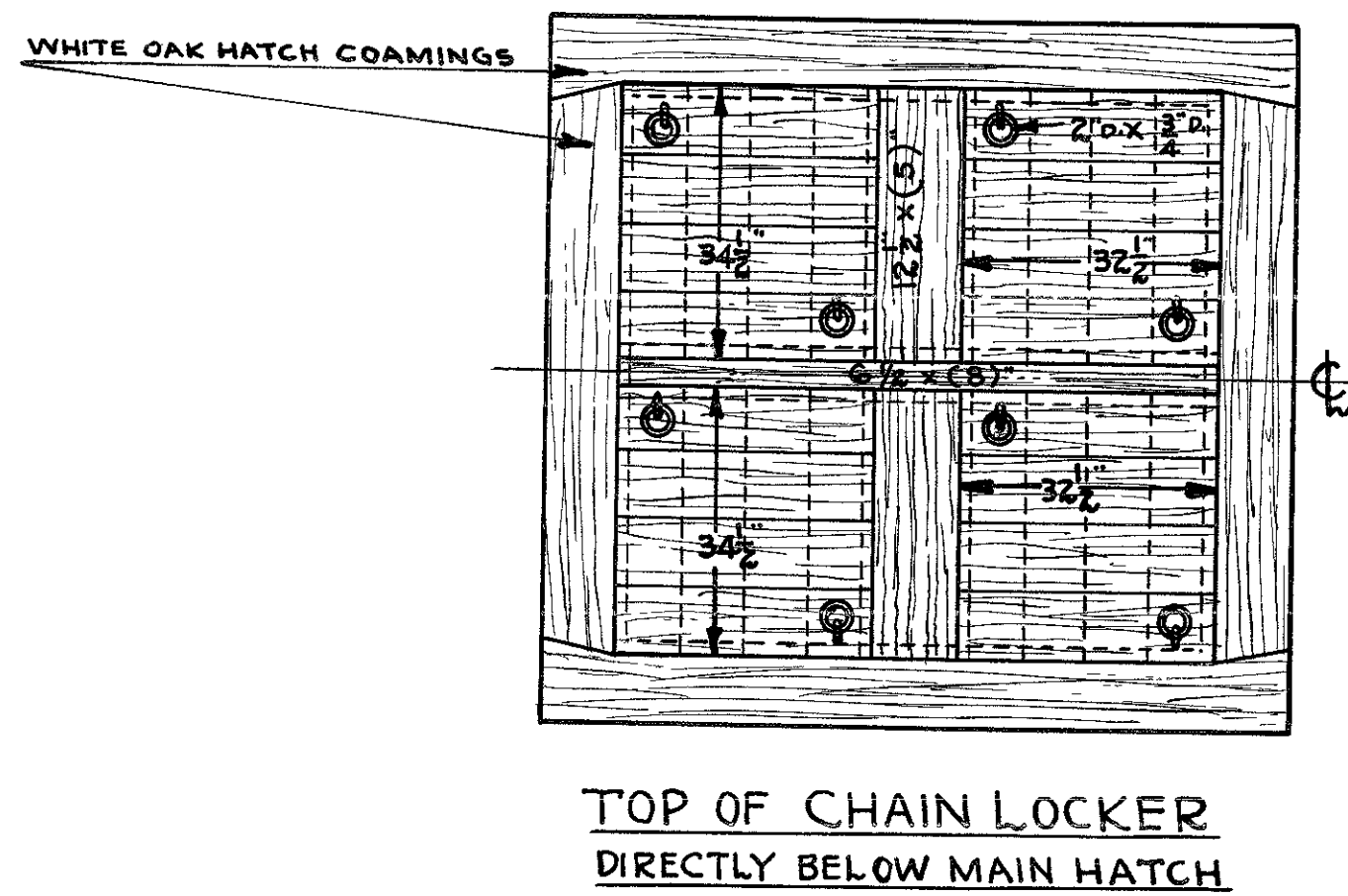
PLAN OF GUN DECK MAIN HATCH



CENTER LINE ELEVATION
MAIN HATCH
SCALE: 1/2" = 1 FT.



PLAN OF BERTH DECK MAIN HATCH



TOP OF CHAIN LOCKER
DIRECTLY BELOW MAIN HATCH

NOTE: REV "B" SHEET No. 2
ADDED AUG. 5, 1971

RESTORATION 1927-1931
U.S. FRIGATE CONSTITUTION
ARRANGEMENT OF HATCH COAMINGS, HATCH
BARS AND SOLID WOOD SHUTTERS ON SPAR,
GUN AND BERTH DECK. (AFTER END)

NAVY YARD, BOSTON
SCALE: 1/2" = 1 FOOT

JUNE-1930

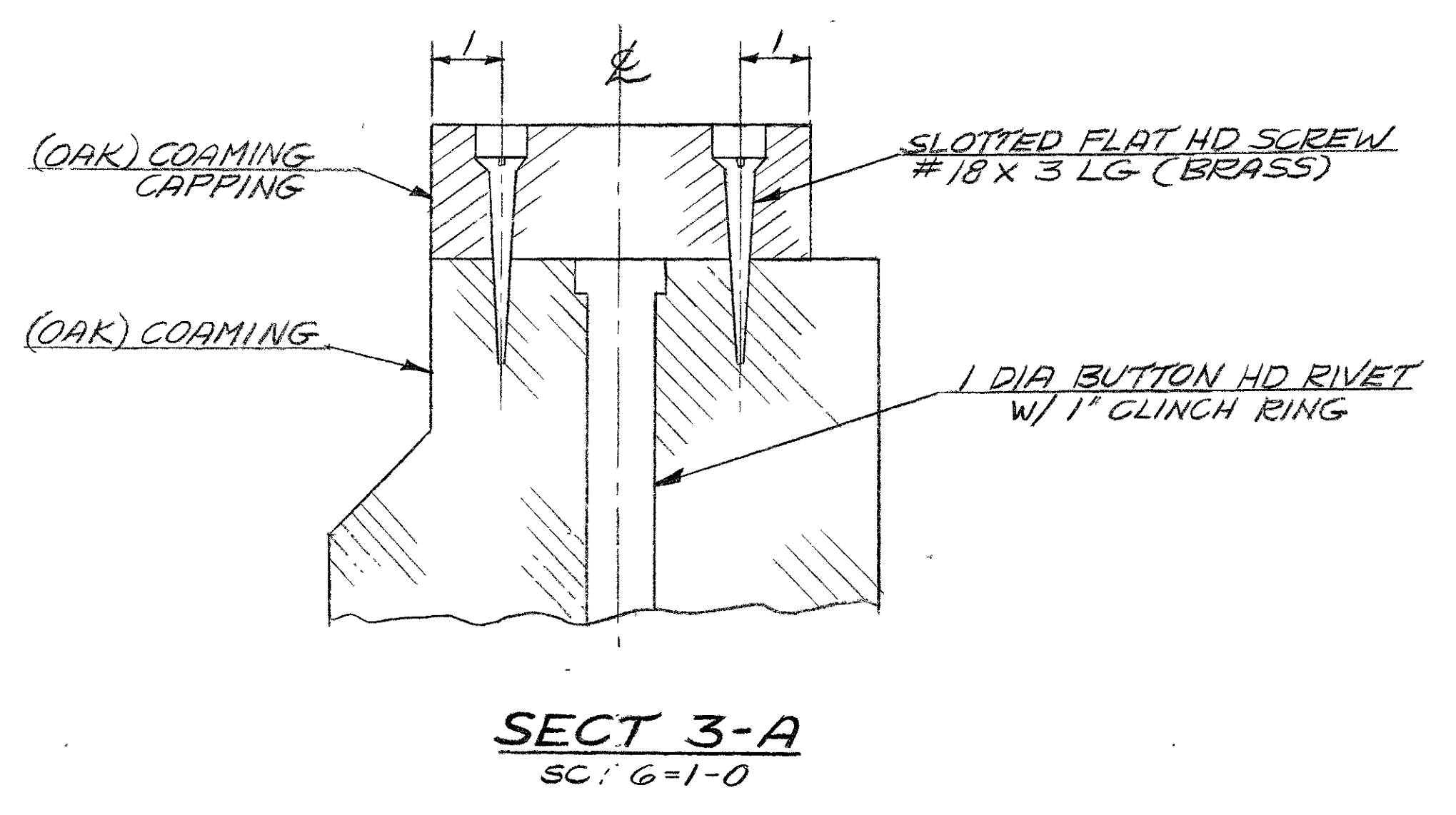
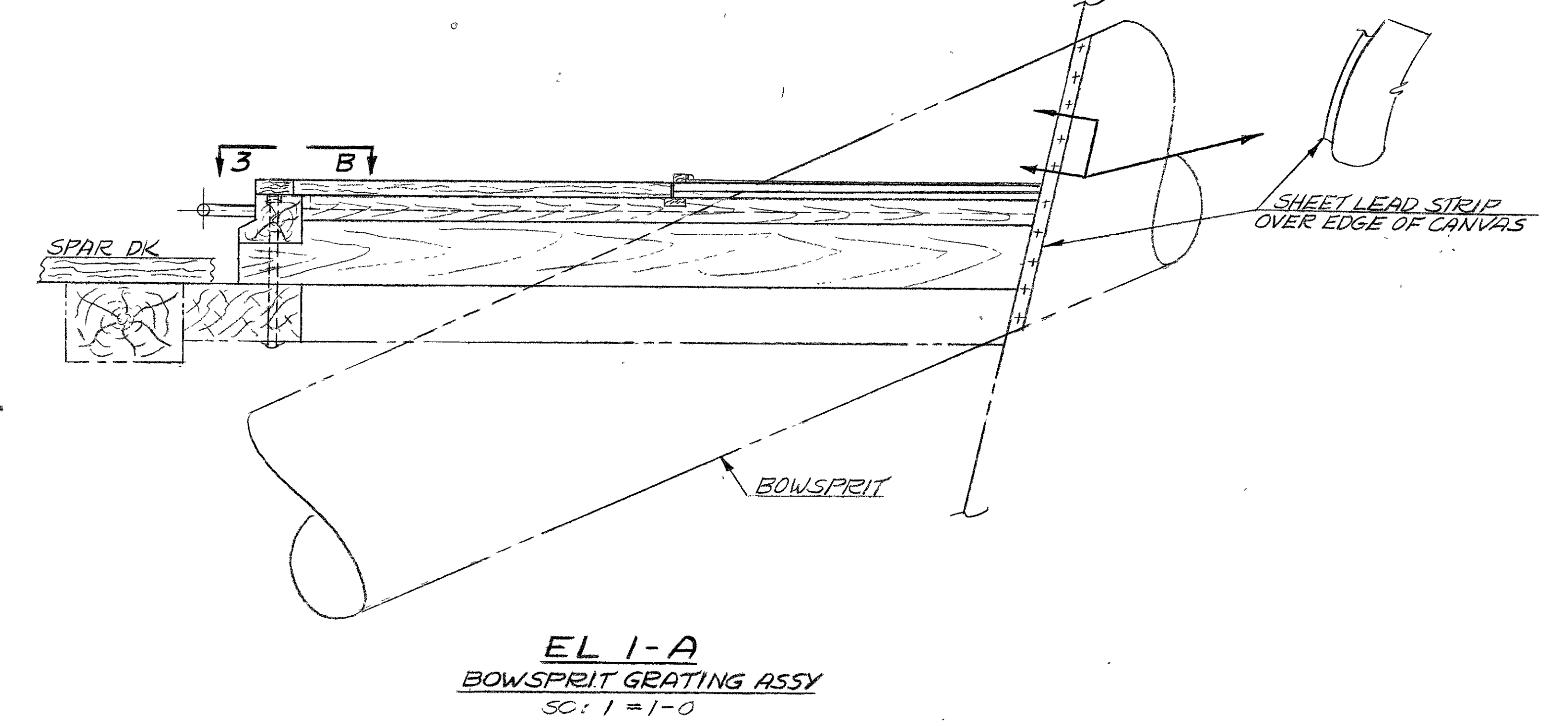
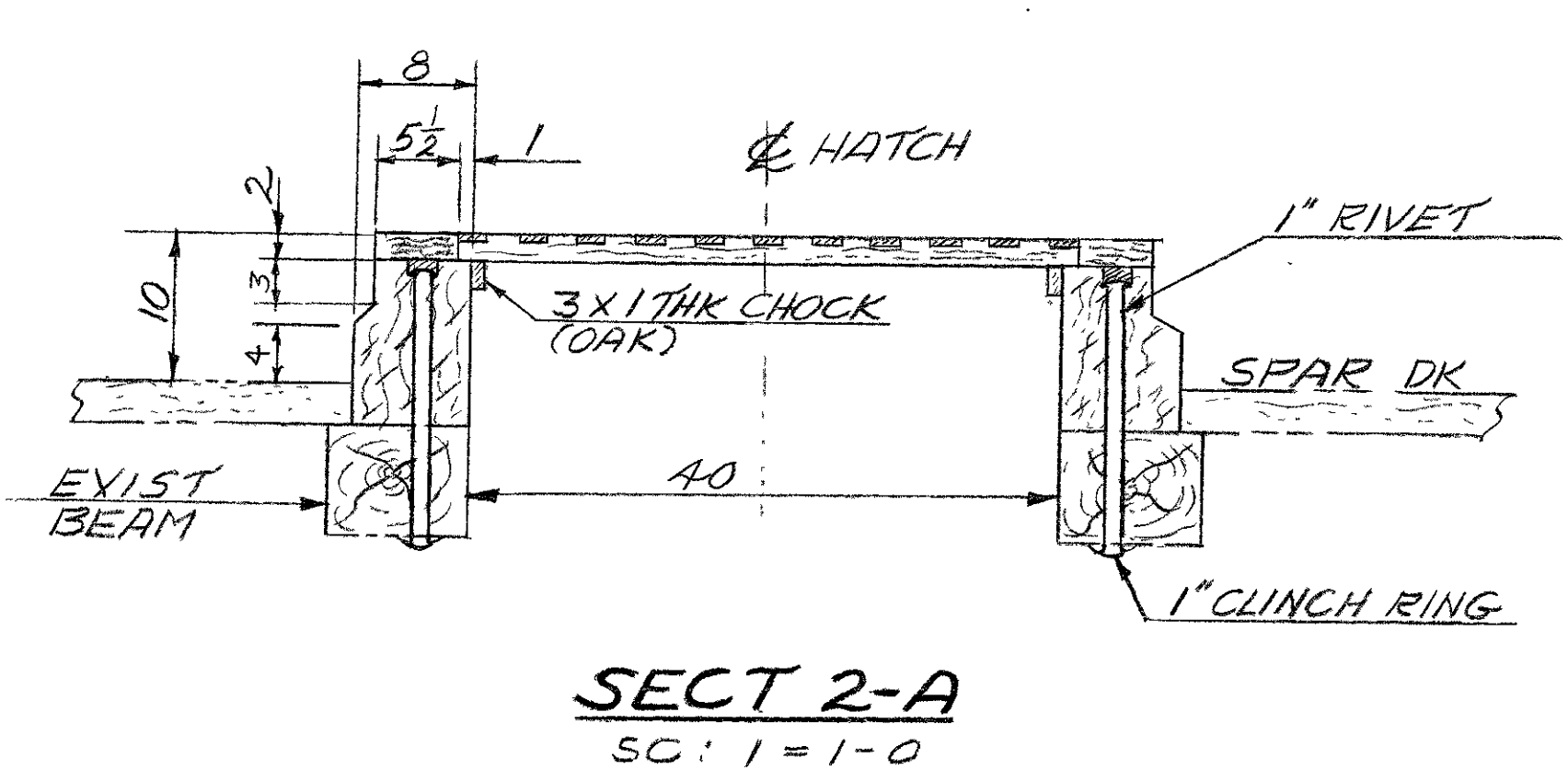
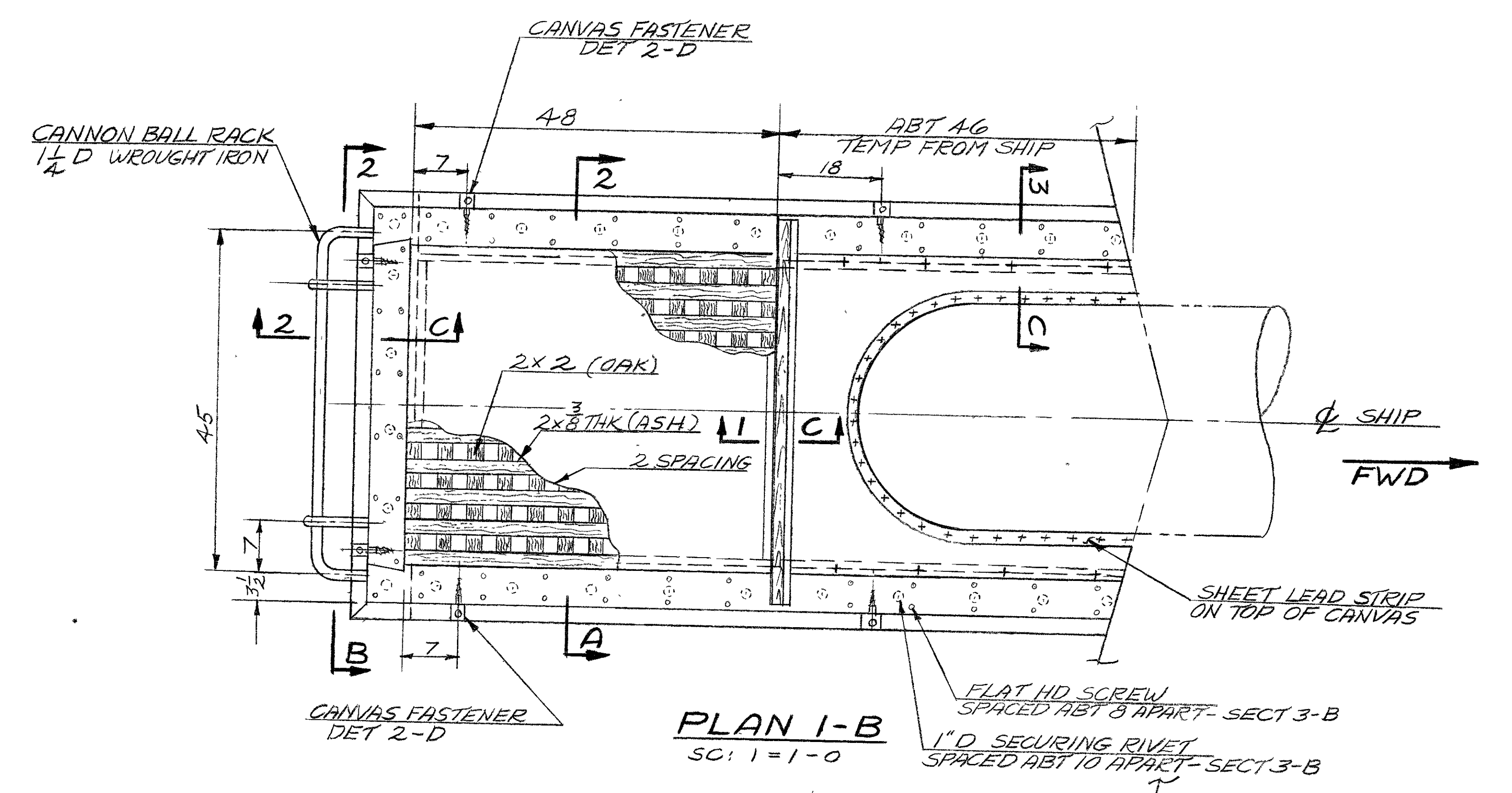
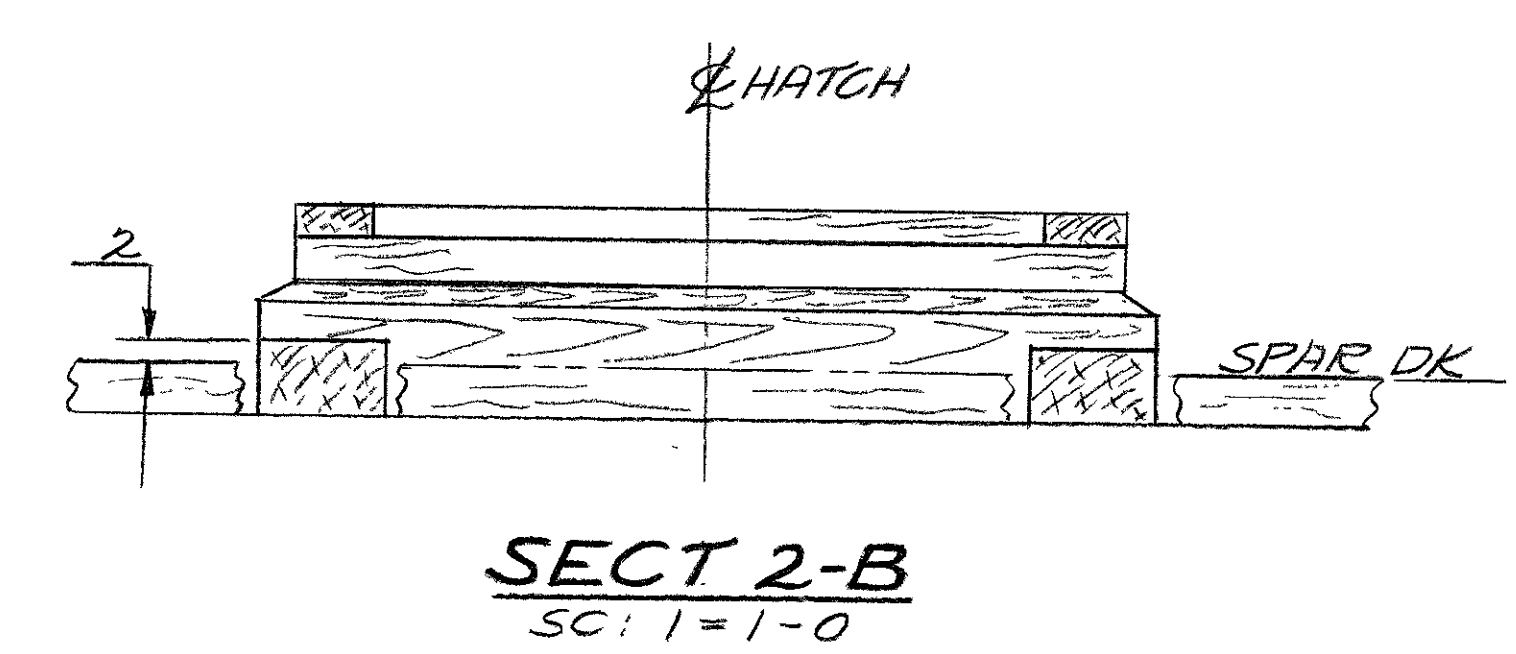
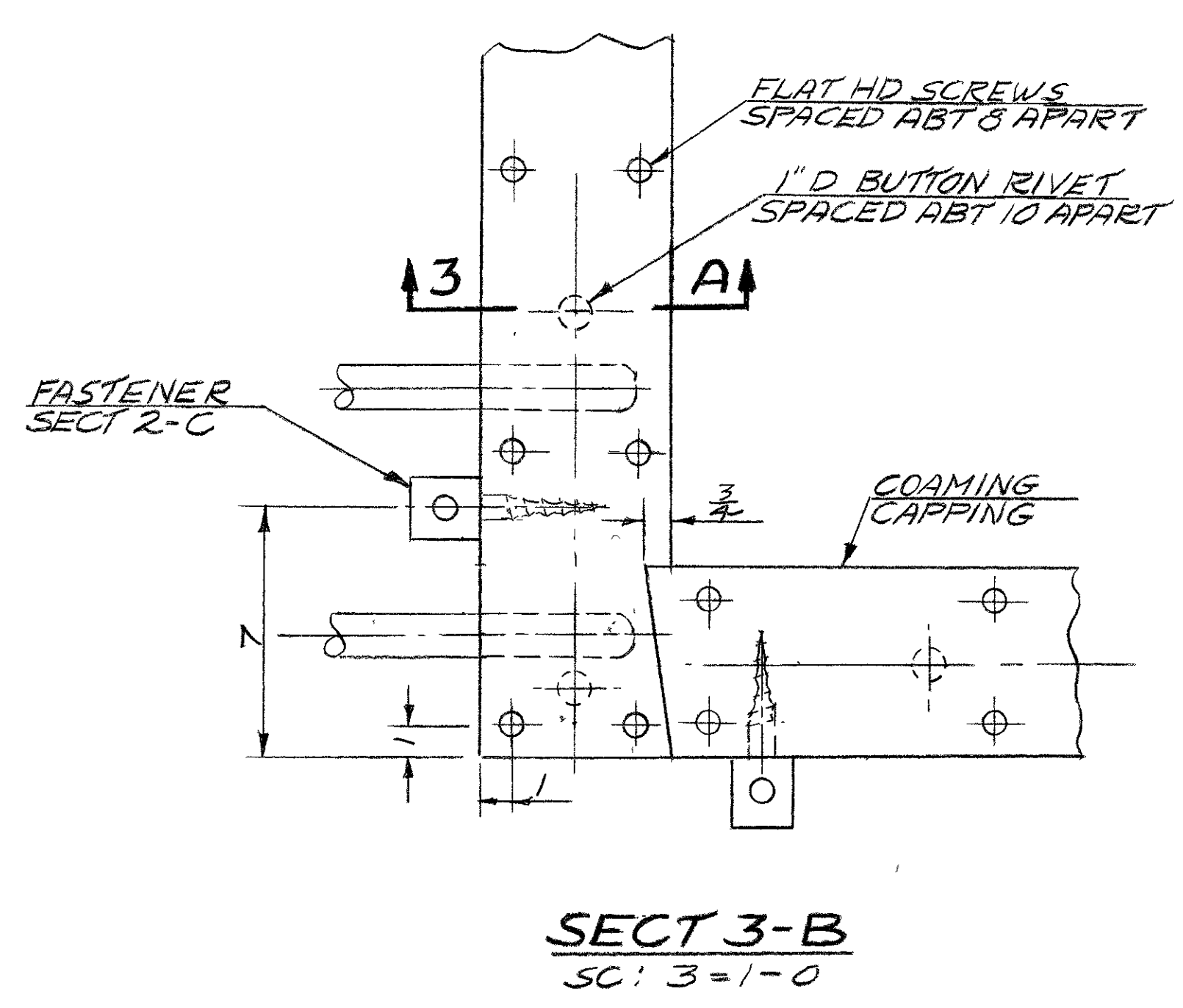
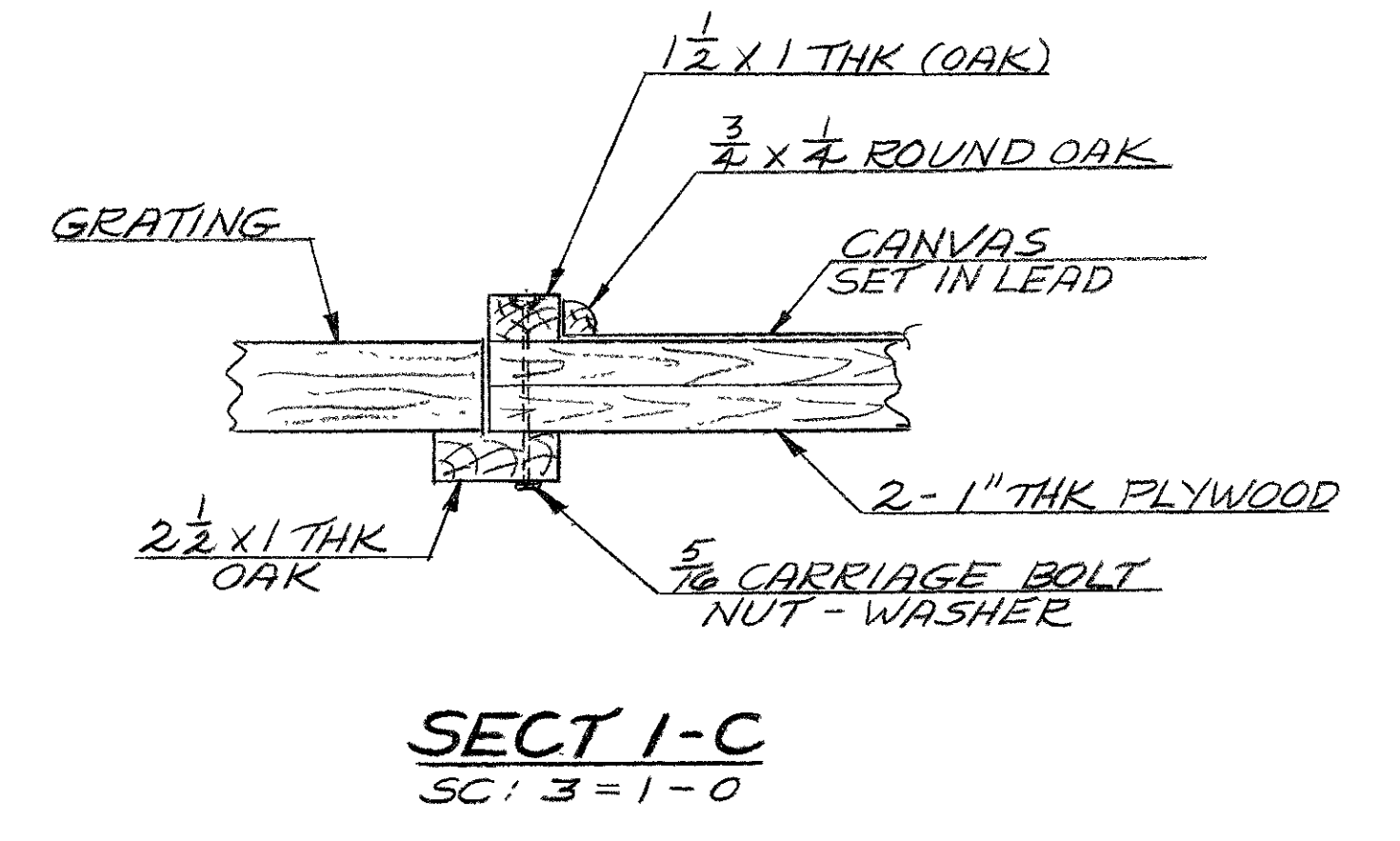
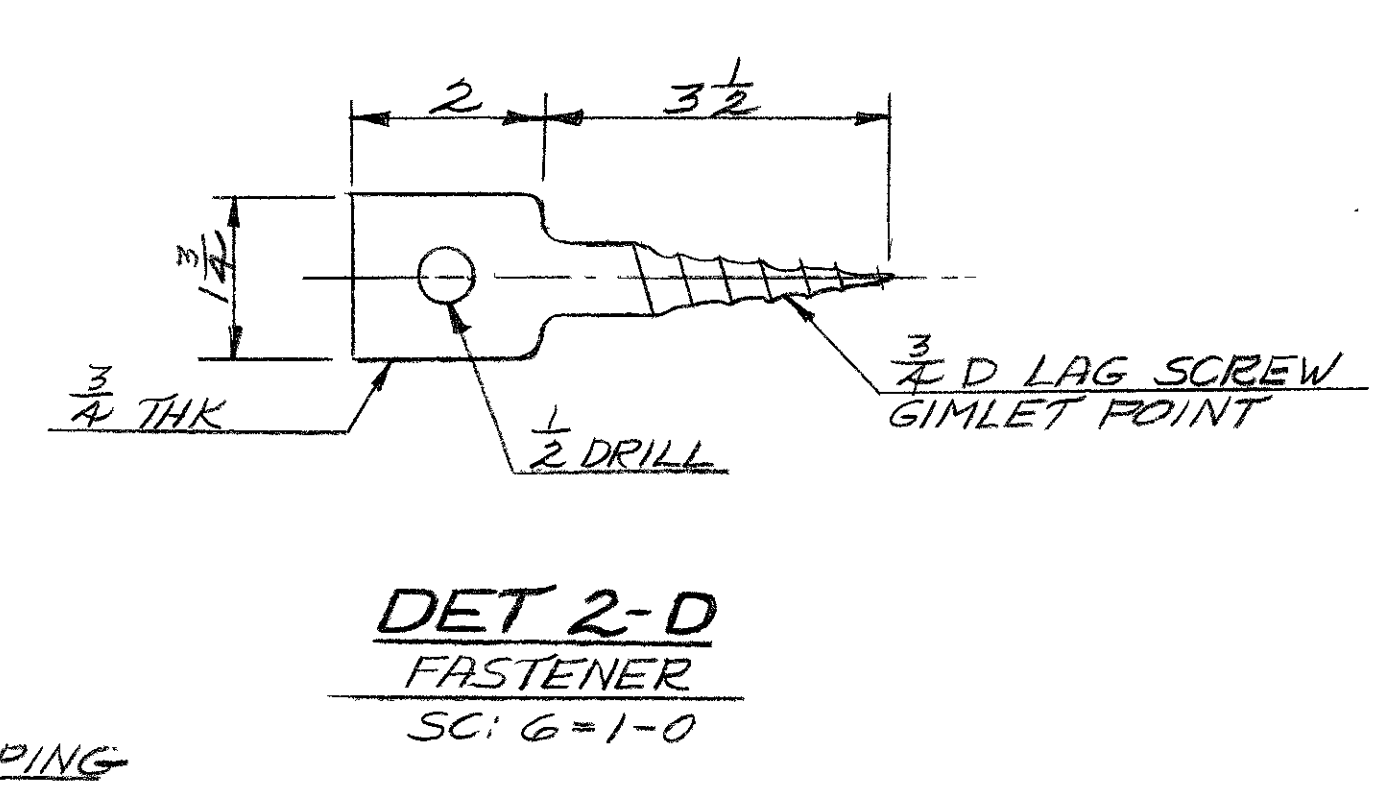
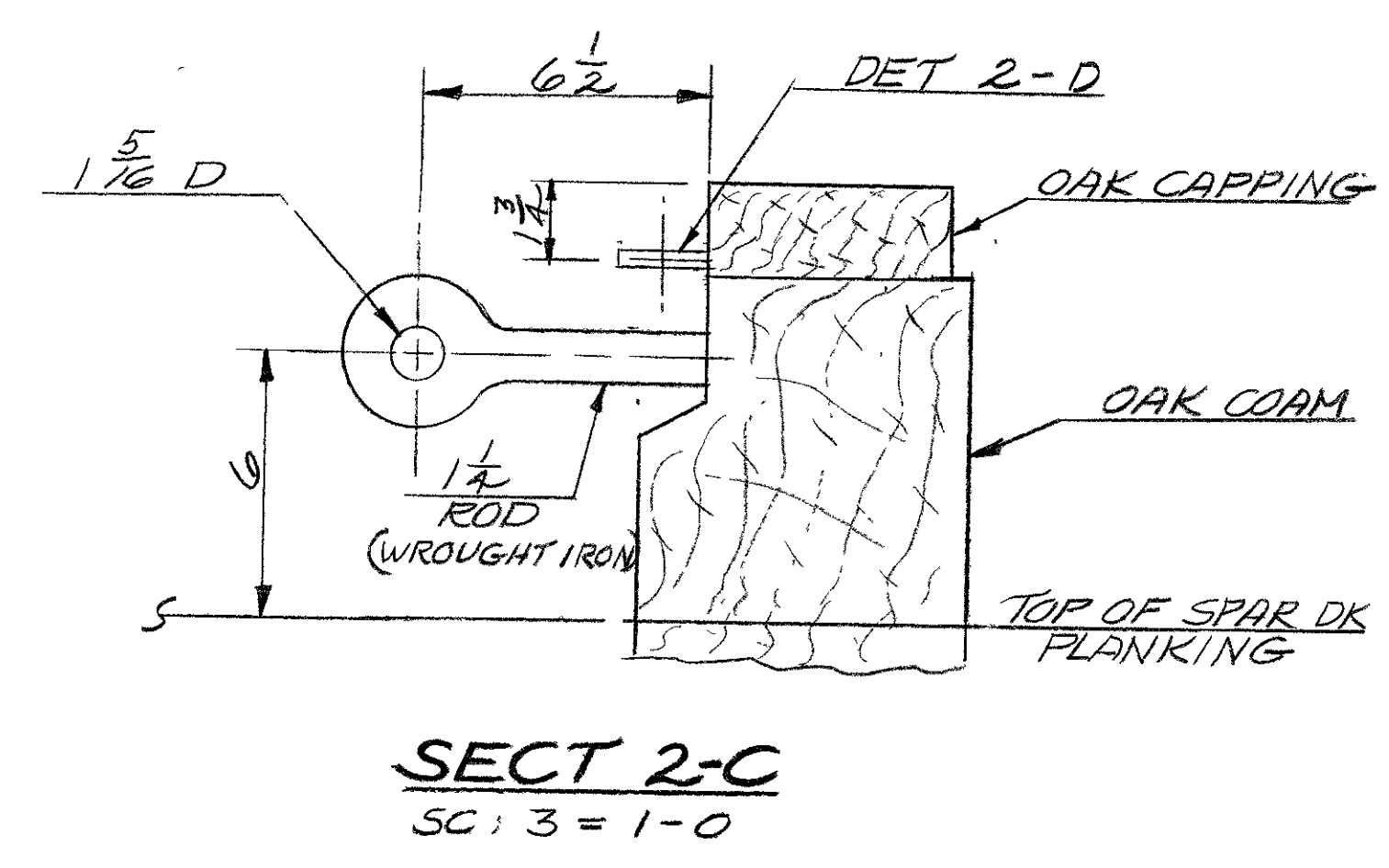
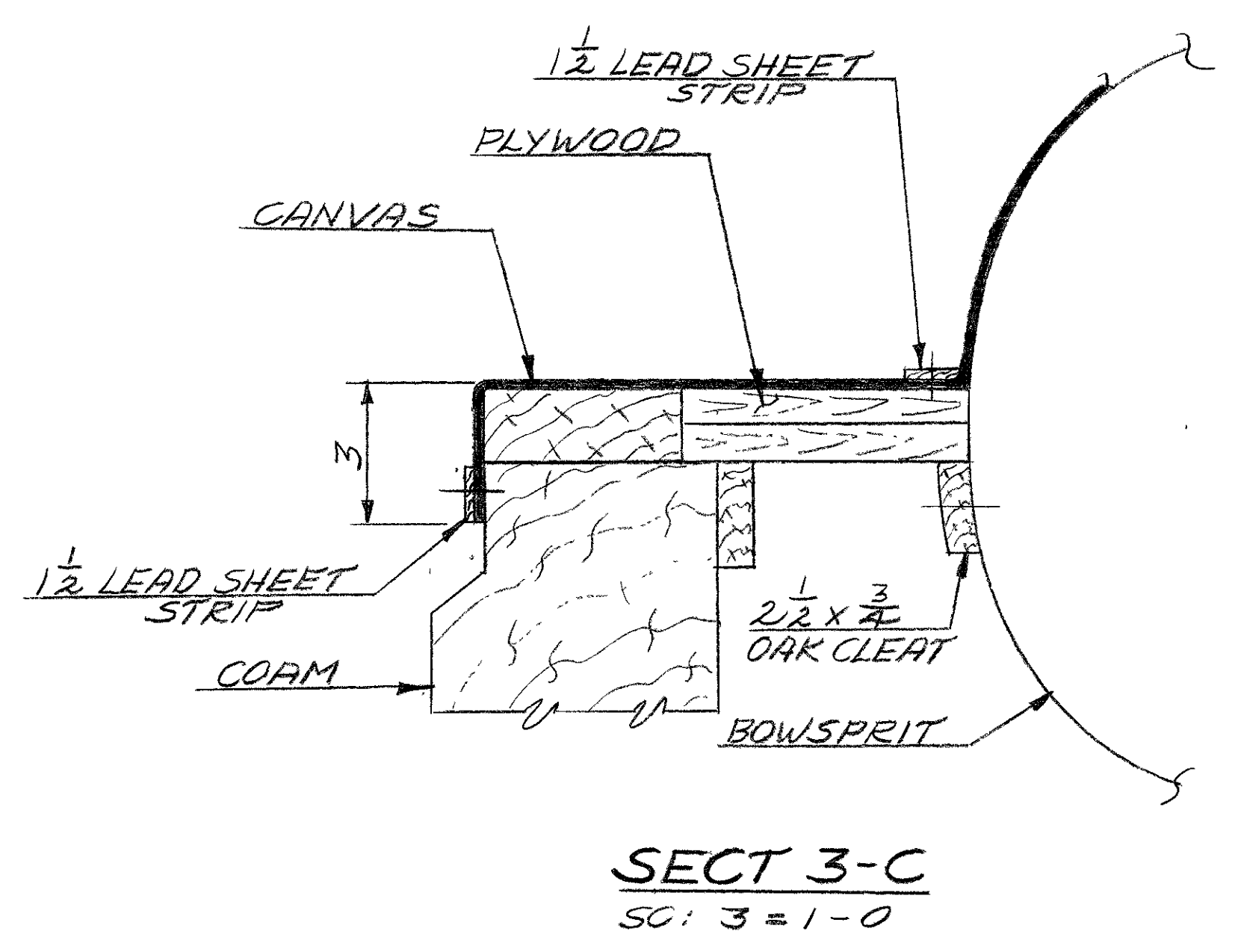
R. M. Bush
APPROVED FOR MANAGER

IN CHARGE OF WORK: JOHN A. LORD, LIEUT. (C.C.) U.S.N.
DRAWN BY:
TRACED BY: *McCunha*

No 19274

SHEET No 1 of 2

1-6-72



EXAMINED		BOSTON NAVAL SHIPYARD BOSTON, MASS. 02129			
CODE	254	EXT.	576	ARR OF HATCH COAMINGS, HATCH BARS & SOLID WOOD SHUTTERS ON SPAR, GUN & BERTH DKS (AFTER END)	
BRANCH HD	FTO	SECT SUPV	L. THORBURN	SIZE	CODE IDENT. NO.
CHECKED	C. BOUCHER	DRAWN	G. ARCAD	H	80060/1X21
DATE	9/14/11	DATE	9/14/11	BOSTON	DWG. NO.
APPD FOR DESIGN DIV		APPD (OTHER THAN DESIGN DIV)		BSTN	No 19274
SCALE: AS NOTED		SHEET 2 OF 2		REV	B

SHEET 5 OF 5