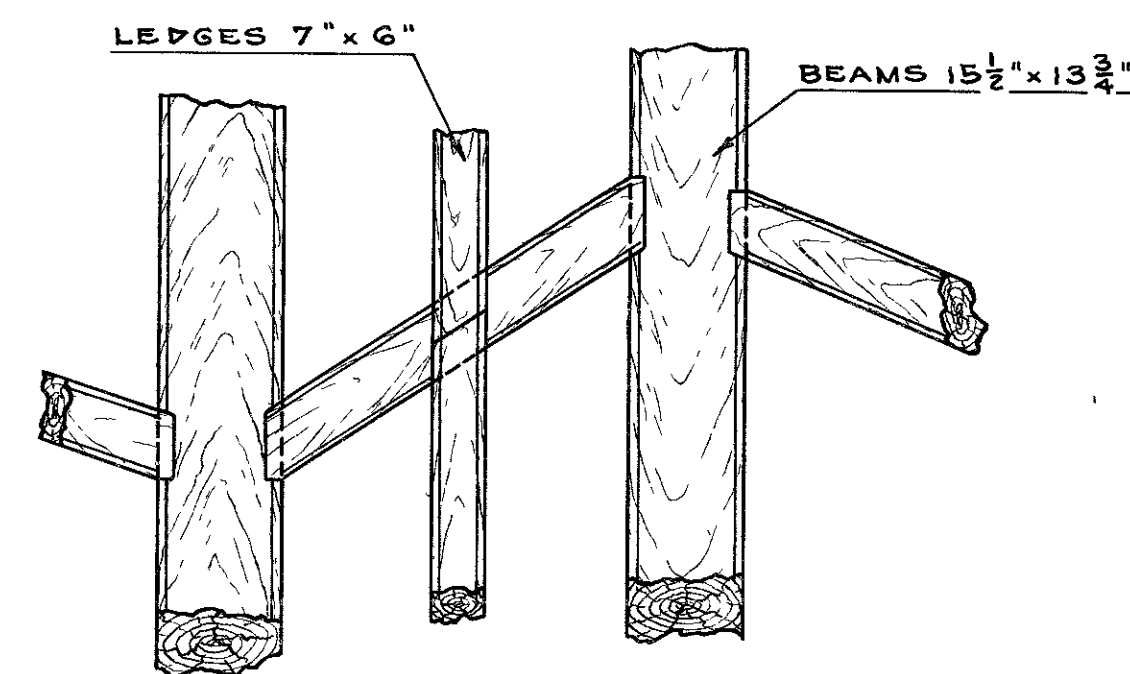
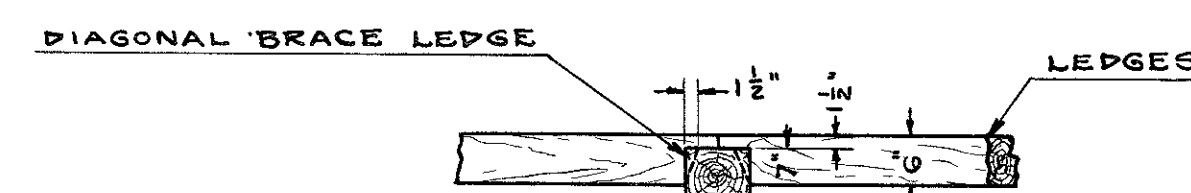


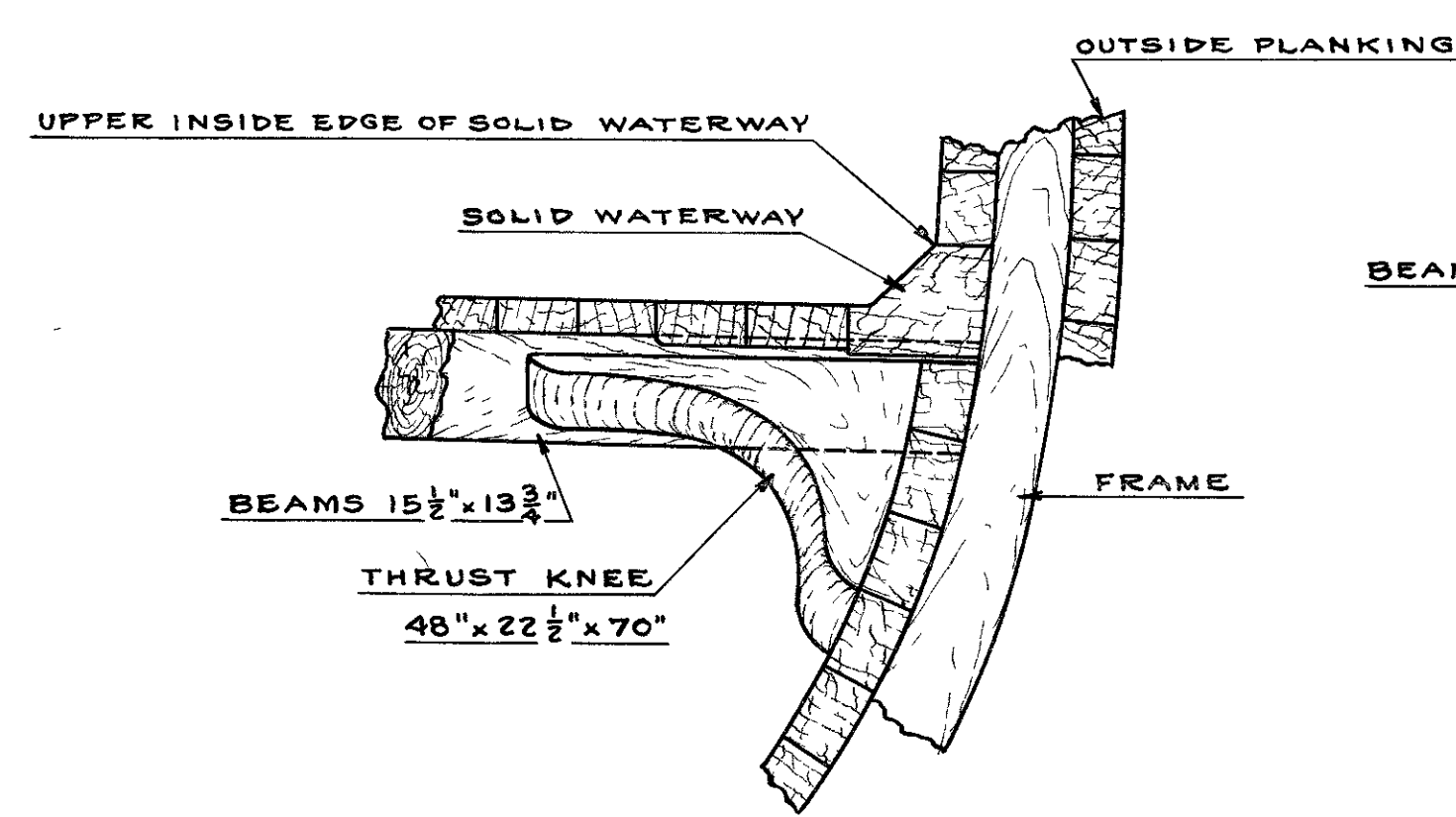
ELEVATION



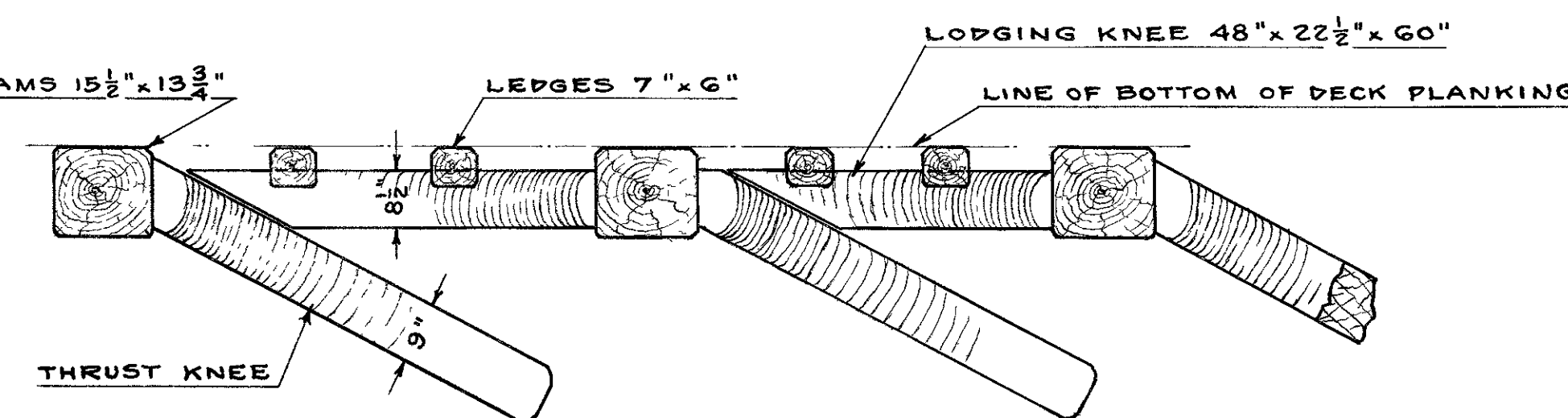
PLAN VIEW SHOWING BEAMS, LEDGES & DIAGONAL BRACE LEDGES
SCALE 1/4"=1 FT.



ELEVATION SHOWING LEDGE CONNECTION TO DIAGONAL BRACE LEDGE
SCALE 1/4"=1 FT.



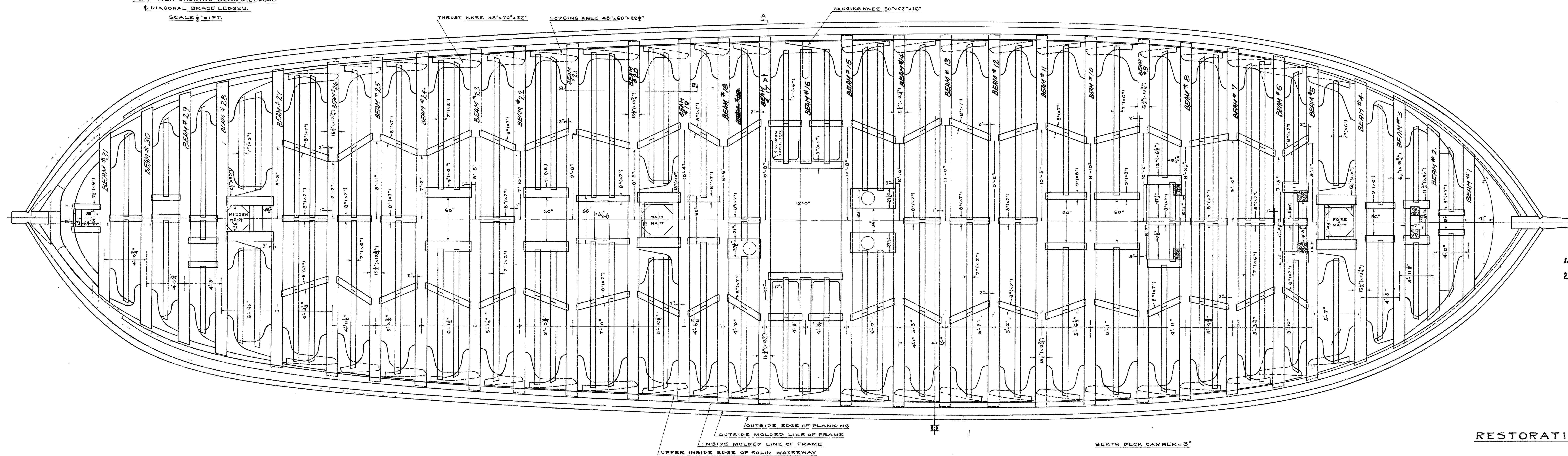
ELEVATION AT "A-A" SHOWING BEAM AND KNEE CONNECTIONS AT SIDE
SCALE 1/4"=1 FT.



ELEVATION AT "B-B" SHOWING BEAM AND KNEE CONNECTIONS AT SIDE
SCALE 1/4"=1 FT.

NOTE
THE DETAIL CONSTRUCTION OF THE BERTH DECK AS SHOWN ON THIS PLAN HAS BEEN OBTAINED BY TAKING MEASUREMENTS ON THE SHIP.

BY CHECKING IT IS FOUND THAT THE BERTH DECK HALF BREADTHS SHOW A SPREADING THROUGH THE MAIN BODY OF THE SHIP OF 8" IN EXCESS OF THE MOLDED HALF BREADTHS AS PER ORIGINAL DESIGN. THIS DISCREPANCY IS DUE WITHOUT DOUBT TO NUMEROUS REPAIRS, SPLICING OF BEAMS ETC. DURING REPAIR AND RESTORATION PERIODS OR IT MAY BE DUE TO INCREASED BEAM DURING ORIGINAL CONSTRUCTION. THE HALF BREADTHS TAKEN FROM THE SHIP WERE TAKEN TO TOP INSIDE EDGE OF SOLID WATERWAY.



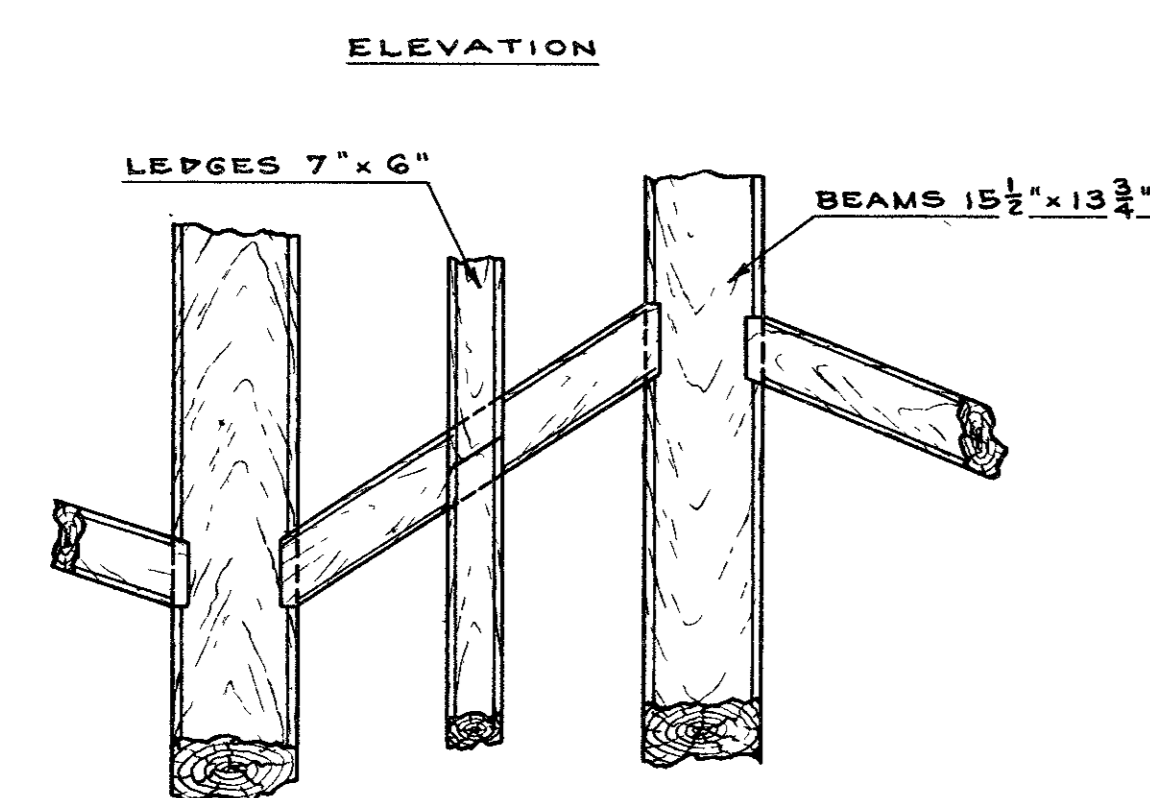
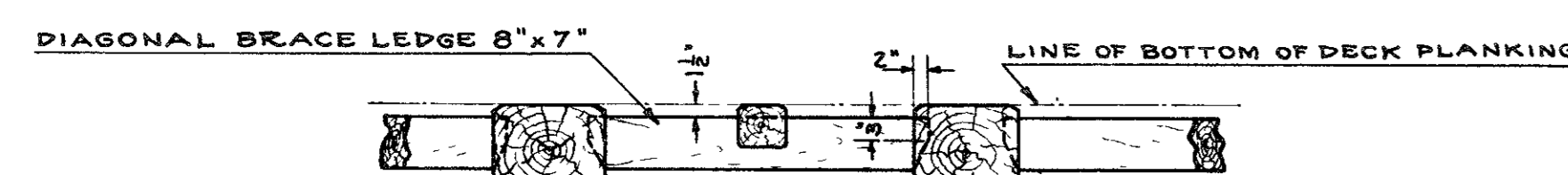
- REFERENCE DWG
1. SHIPS KNEES FOR USS CONSTITUTION 800601x21 - 4-518802
2. SHIPS KNEES FOR USS CONSTITUTION MODIFYING DRAWING 800601x21 - 4-519549

IN CHARGE OF WORK: J.A. LORD LIEUT. (C.C.) U.S.N.
DRAWN BY: WENMAN D. FRIEDMANN
TRACED BY: W.P.F.
CHECKED FROM WORK: J.C. GAMBLE

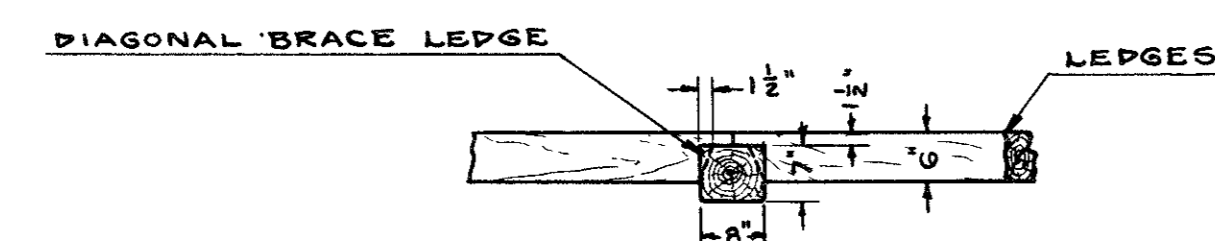
RESTORATION 1927-1931
CORRECTED FOR FINISHED PLAN
U.S. FRIGATE CONSTITUTION
BERTH DECK
(PLANKING REMOVED)
NAVY YARD, BOSTON, NOV. 1926.
SCALE 1/4"=1 FT.

APPROVED BUREAU C.&R. LETTER 1X21/FS (PA)
OF FEB. 17, 1927
C.&R. NO. 135457

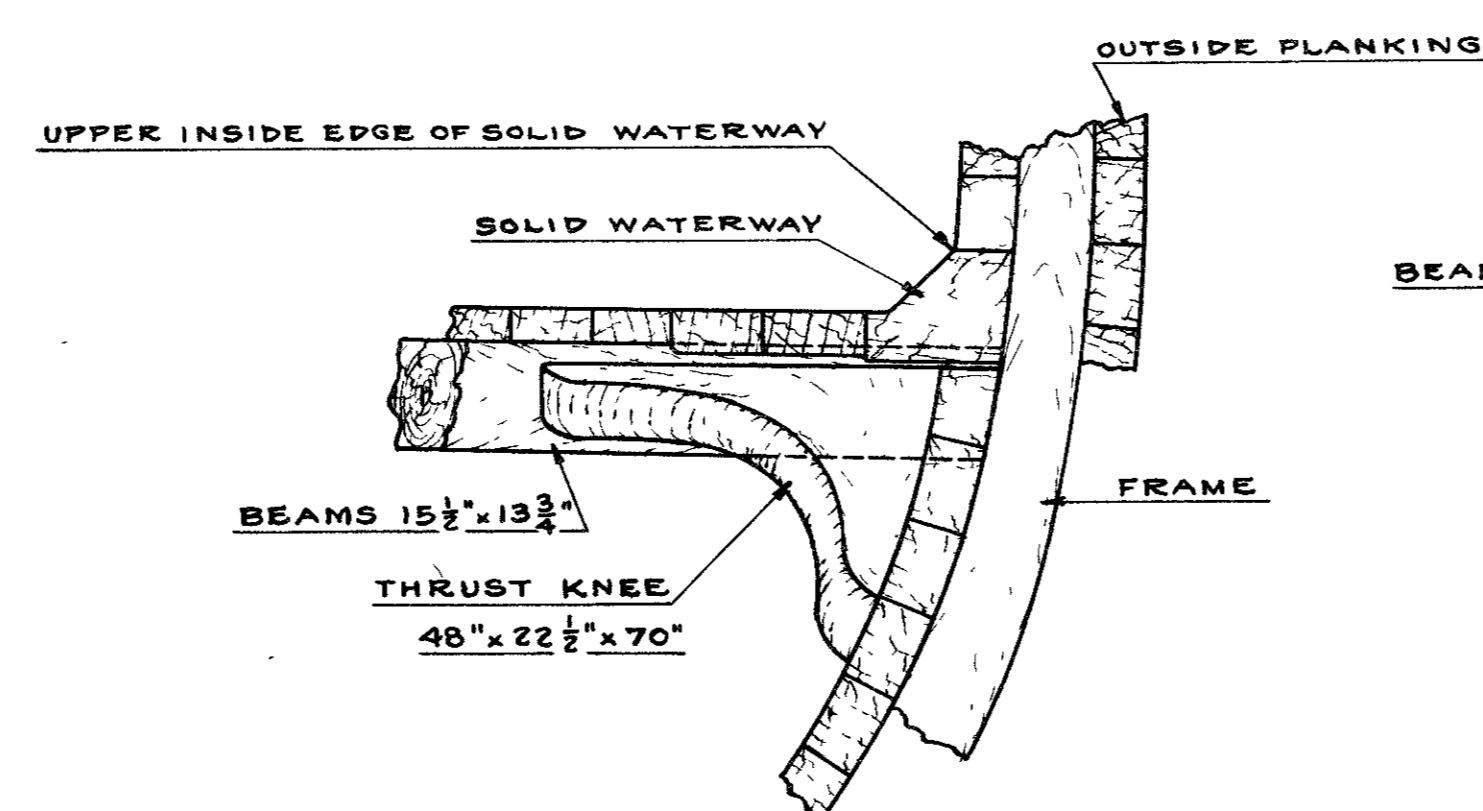
APPROVED FOR MANAGER
John W. ...
LIEUT. (C.C.) U.S.N.
SUPT. OF RESTORATION
NO. 18285



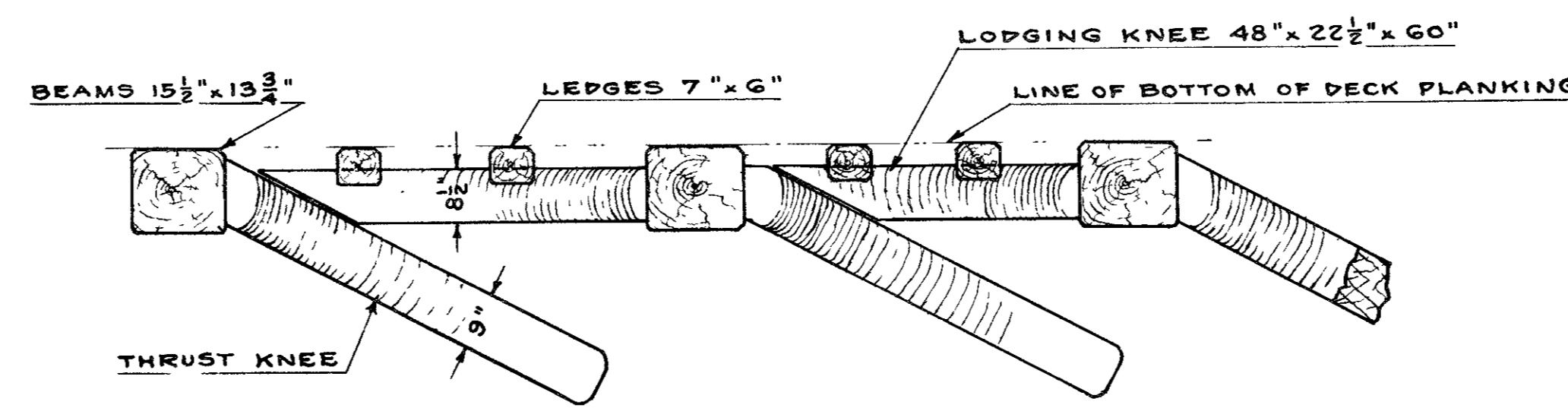
PLAN VIEW SHOWING BEAMS, LEDGES & DIAGONAL BRACE LEDGES.
SCALE 1/4" = 1 FT.



ELEVATION SHOWING LEGGES CONNECTION TO DIAGONAL BRACE LEDGE.
SCALE 1/4" = 1 FT.



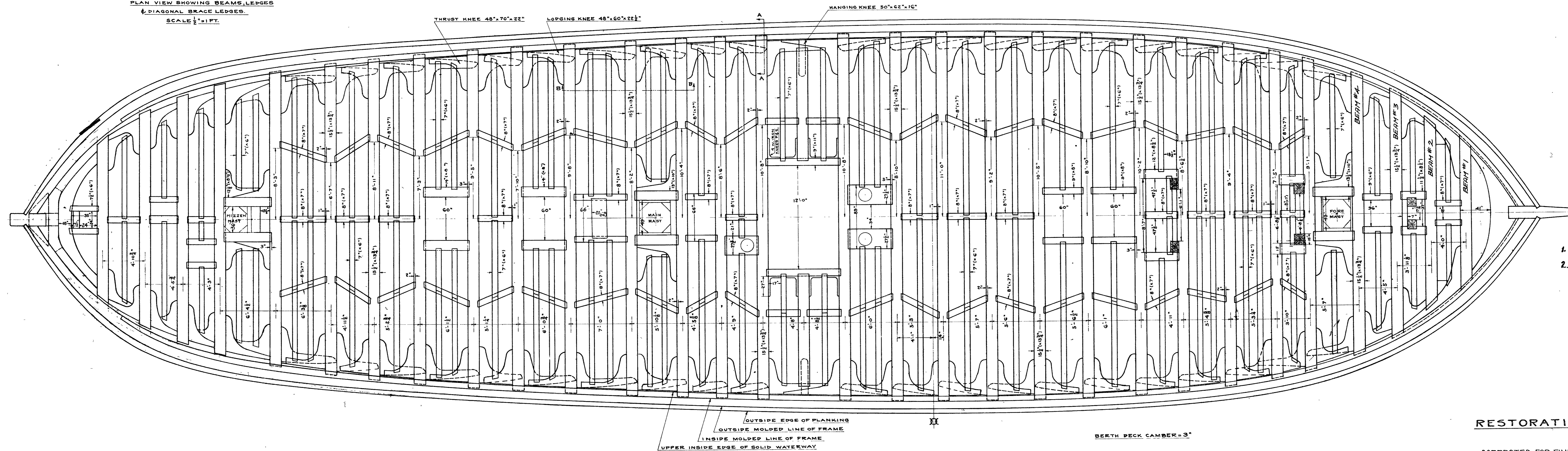
ELEVATION AT 'A-A' SHOWING BEAM CONNECTIONS AT SIDE.
SCALE 1/4" = 1 FT.



ELEVATION AT 'B-B' SHOWING BEAM AND KNEE CONNECTIONS AT SIDE.
SCALE 1/4" = 1 FT.

NOTE
THE DETAIL CONSTRUCTION OF THE BERTH DECK AS SHOWN ON THIS PLAN HAS BEEN OBTAINED BY TAKING MEASUREMENTS ON THE SHIP.

BY CHECKING IT IS FOUND THAT THE BERTH DECK HALF BREADTHS SHOW A SPREADING THROUGH THE MAIN BODY OF THE SHIP OF 8" IN EXCESS OF THE MOLDED HALF BREADTHS AS PER ORIGINAL DESIGN. THIS DISCREPANCY IS DUE WITHOUT DOUBT TO NUMEROUS REPAIRS, SPLICING OF BEAMS, ETC., DURING REPAIR AND RESTORATION PERIODS OR IT MAY BE DUE TO INCREASED BEAM DURING ORIGINAL CONSTRUCTION. THE HALF BREADTHS TAKEN FROM THE SHIP WERE TAKEN TO TOP INSIDE EDGE OF SOLID WATERWAY.



REFERENCE DWG

1. SHIPS KNEES FOR USS CONSTITUTION 800627x221 - 4518802
2. SHIPS KNEES FOR USS CONSTITUTION MODIFYING DRAWING 800627x221 - 4519549

IN CHARGE OF WORK: J.A. LORD, LIEUT. (C.C.) U.S.N.
DRAWN BY: *Wm. D. Johnson*
TRACED BY: *W.D.C.*
CHECKED FROM WORK: J.C. GAMBLE

APPROVED BUREAU C&R LETTER 1X21/FS (DA)
OF FEB. 17, 1927
C&R NO. 135457

APPROVED FOR MANAGER
John M. ...
LIEUT. (C.C.) U.S.N.
SUPT. OF RESTORATION

NO. 18285

RESTORATION 1927-1931
CORRECTED FOR FINISHED PLAN
U.S. FRIGATE CONSTITUTION
BERTH DECK
(PLANKING REMOVED)
NAVY YARD, BOSTON. NOV. 1926.
SCALE = 1/4" = 1 FT.