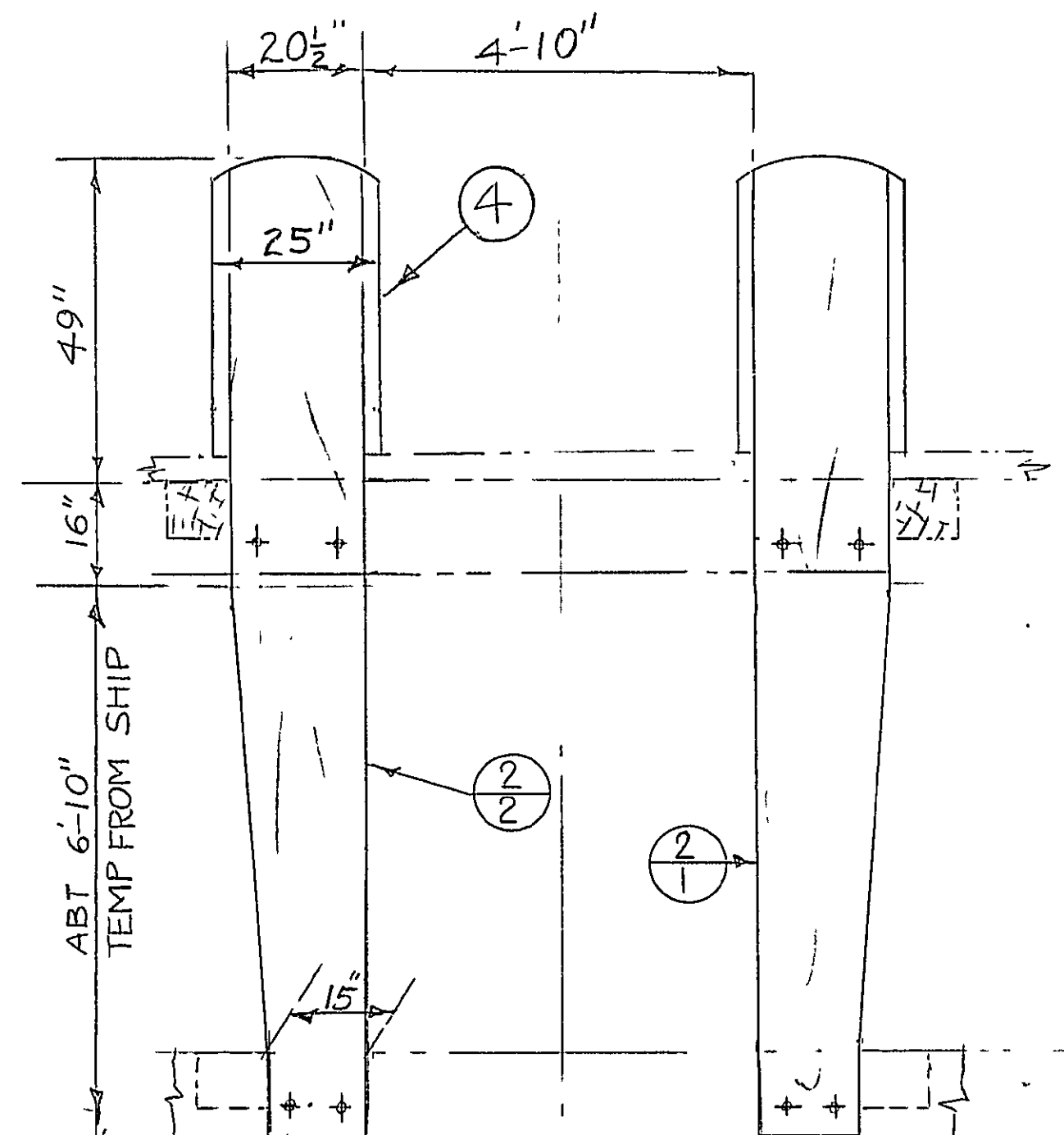
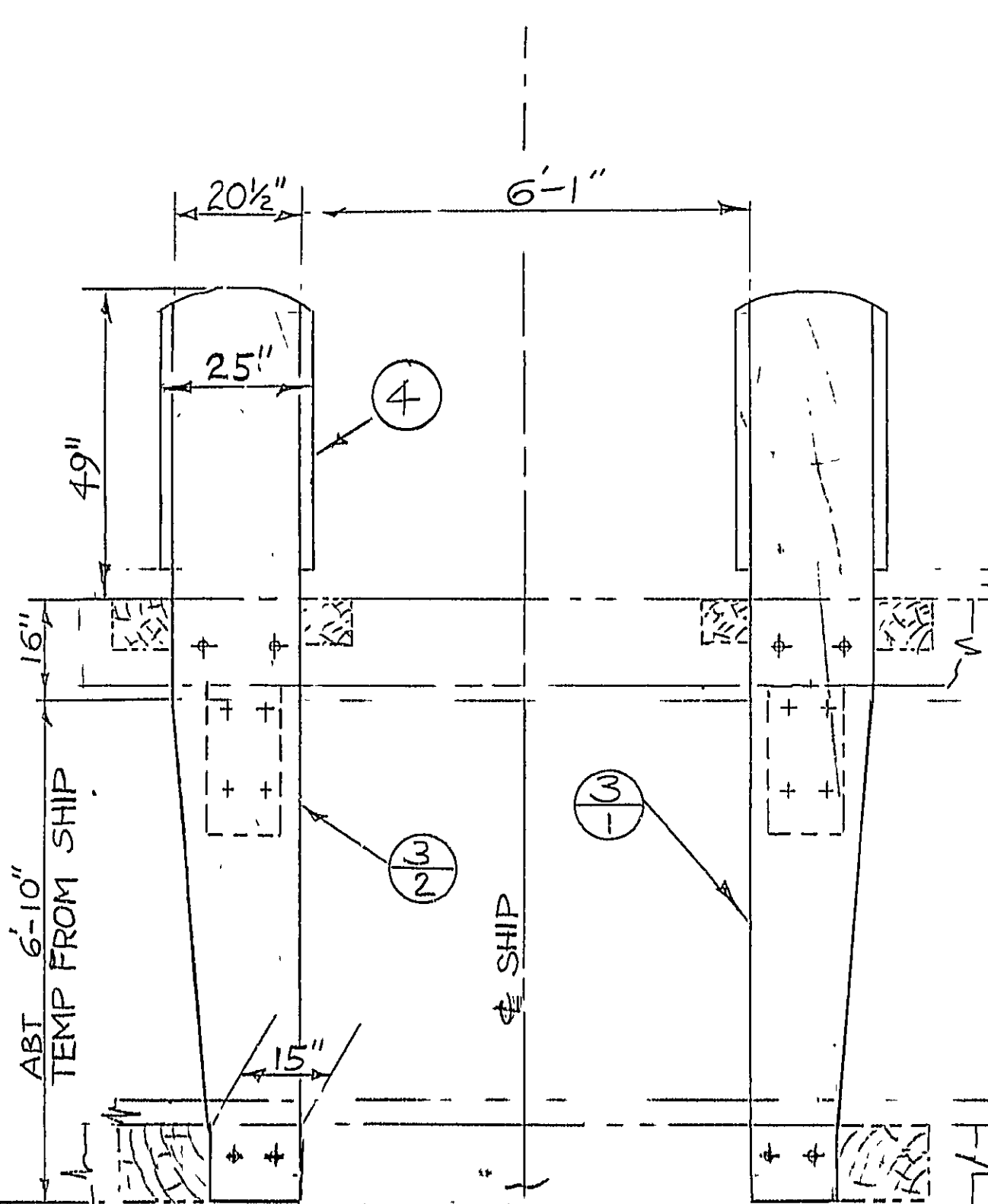


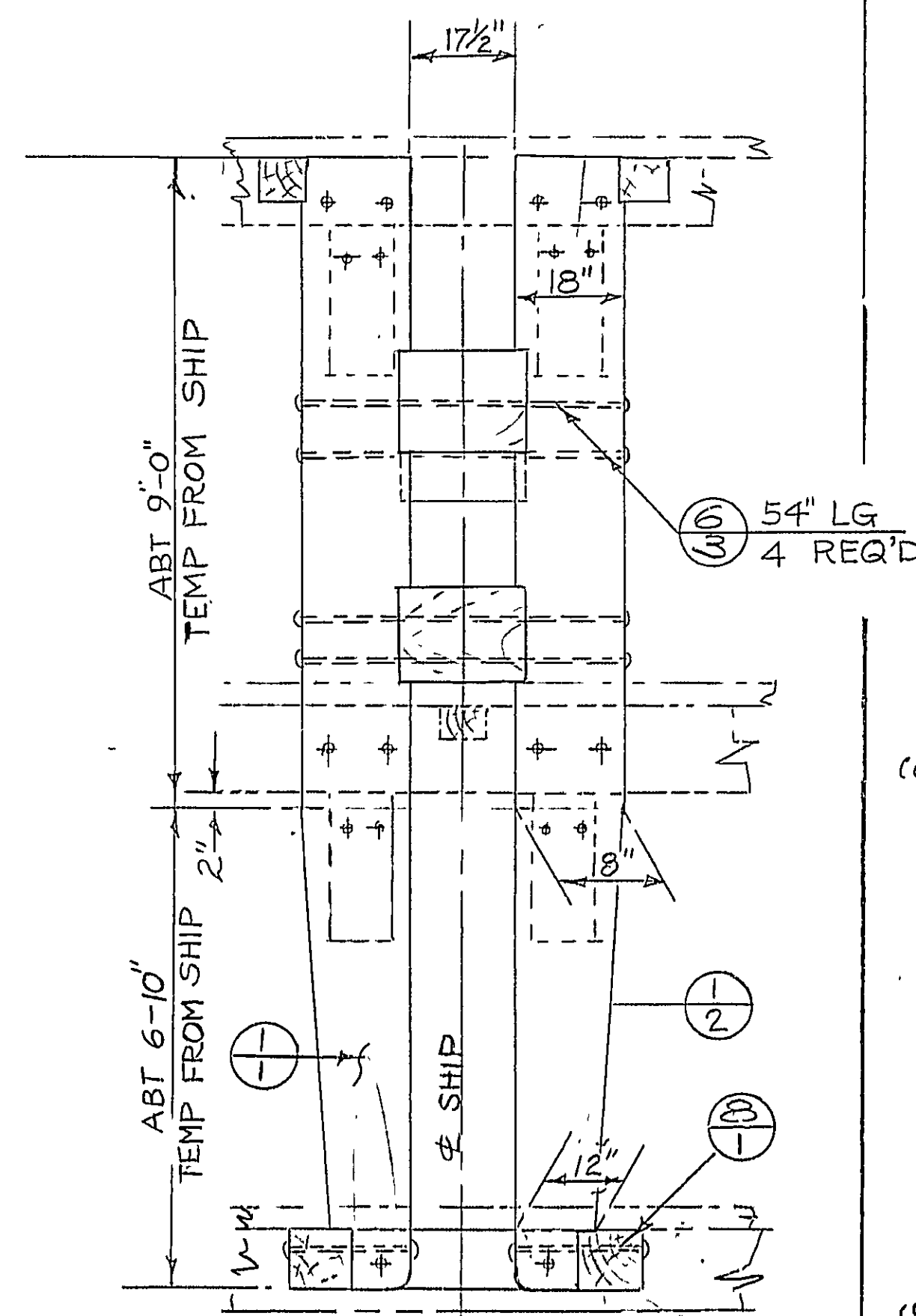
LIST OF MATERIAL						
EQ. NO.	DESCRIPTION	AMT. REQD.	SPEC.	LAST NO. USED	MATERIAL	REMARKS
1	LAMINATED WHITE OAK	2	MIL-W-15154	2	WOOD	18" x 18" x 6' 10" LG.
2		2		2		20 1/2" x 25" x 13'-3" LG
3		2		2		20 1/2" x 25" x 13'-3" LG
4		8		.3		DIMENSION
5		8		1		2 1/4" x 14" x 48" LG
6	1/4" DIA ROD GALV	70 FT	MIL-S-20166	3	MES. STEEL	CUT TO SUIT
7	1"	60 FT		2		
8	3/4"	10 FT		2		
9	3/4"	16		1		DRIFT PIN 15" LONG



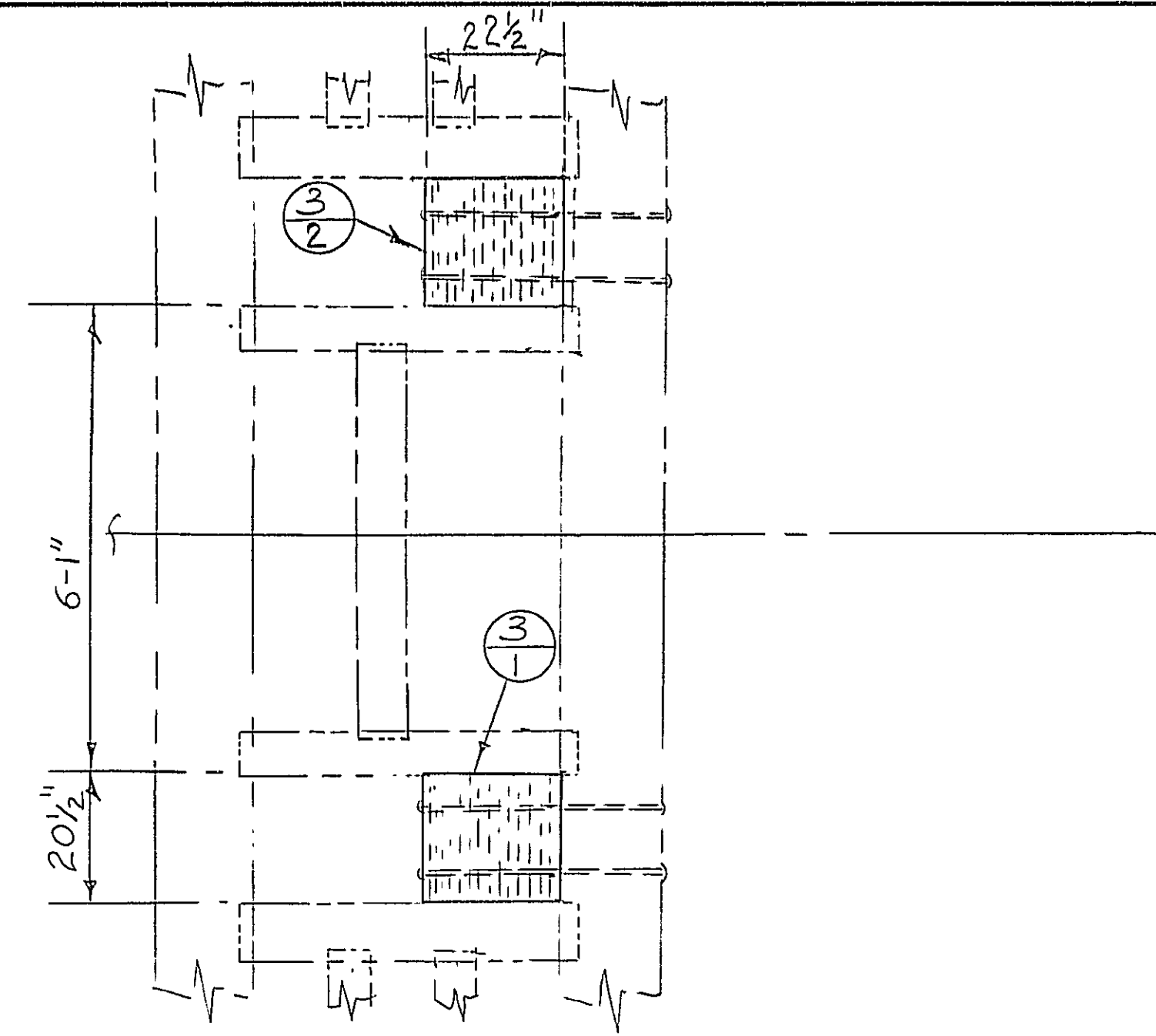
FWD MOORING CHAIN BITTS
SECT "4-C"



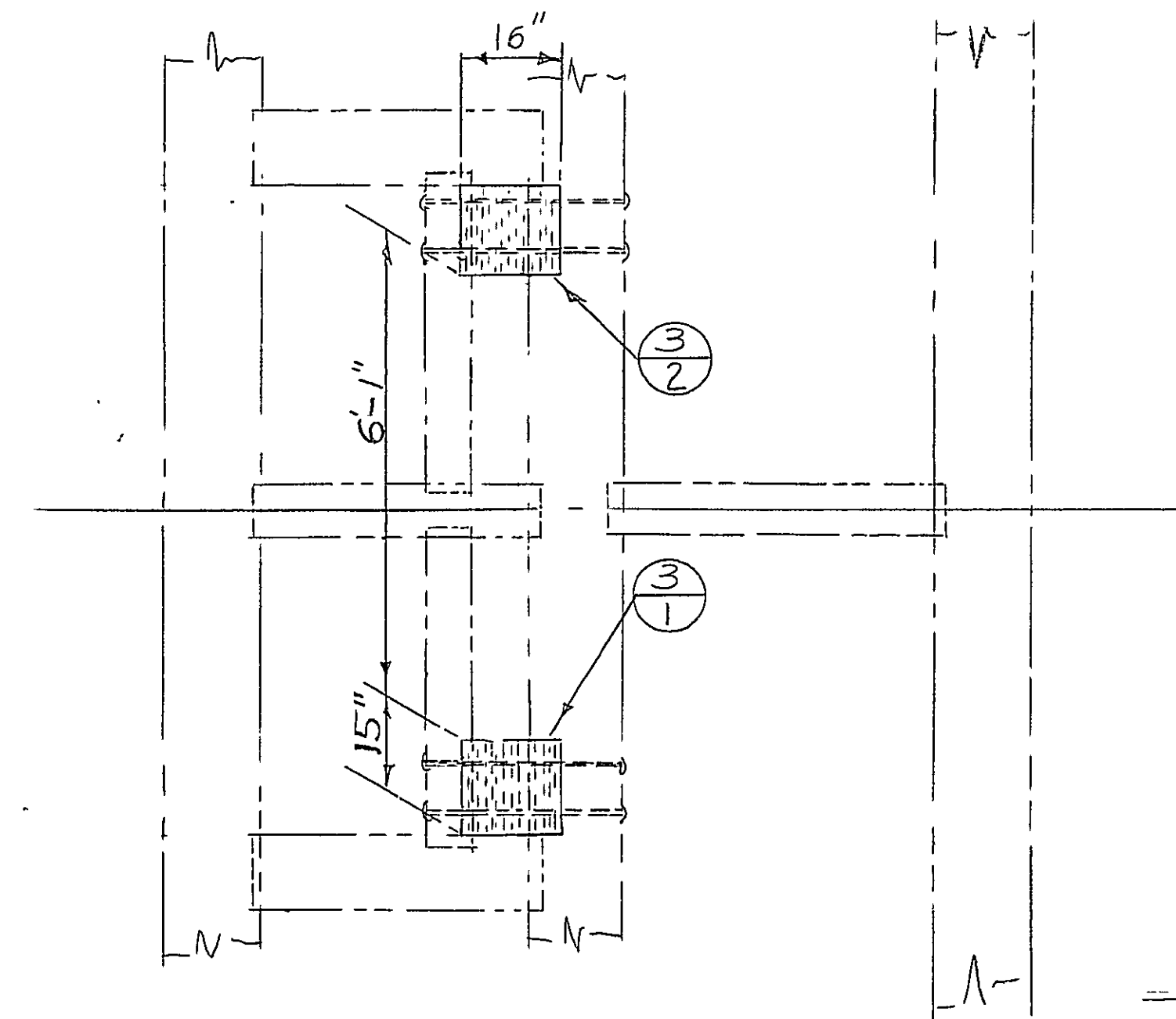
AFT MOORING CHAIN BITTS
SECT 4-B



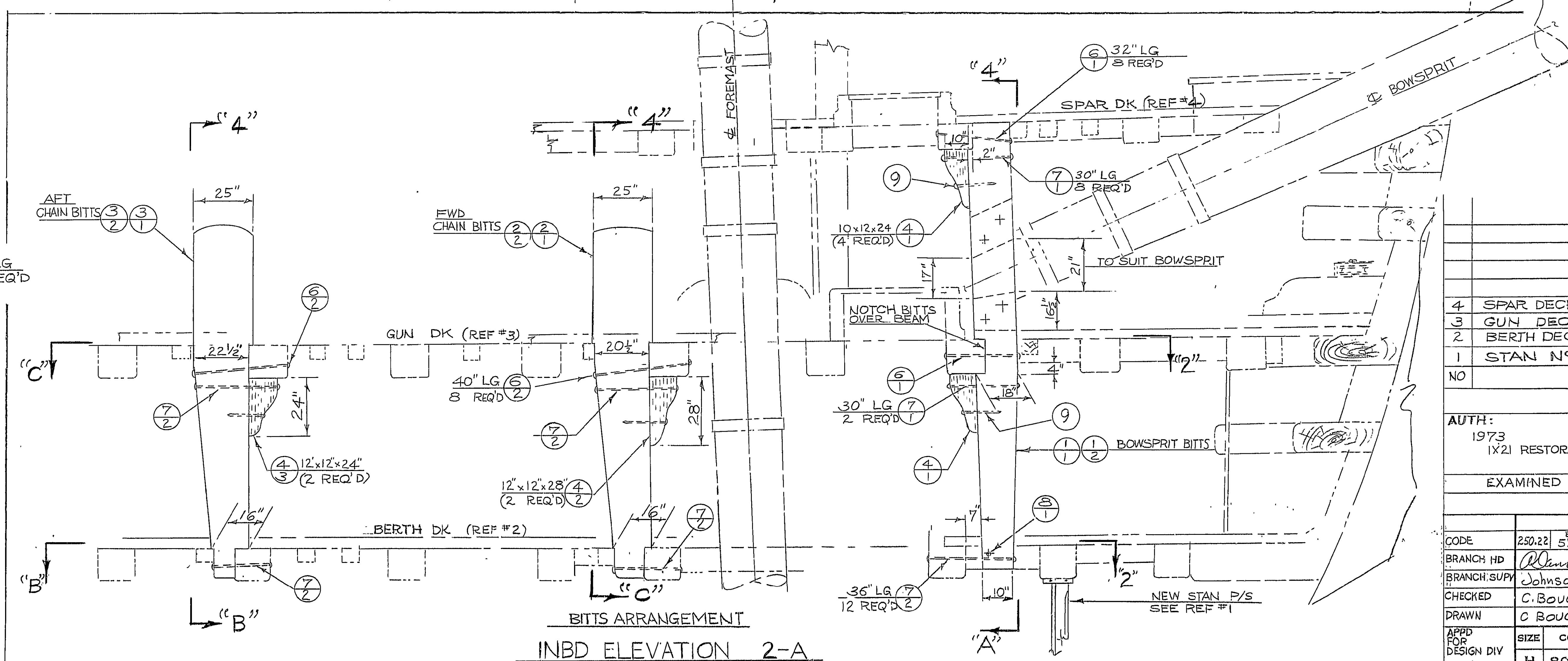
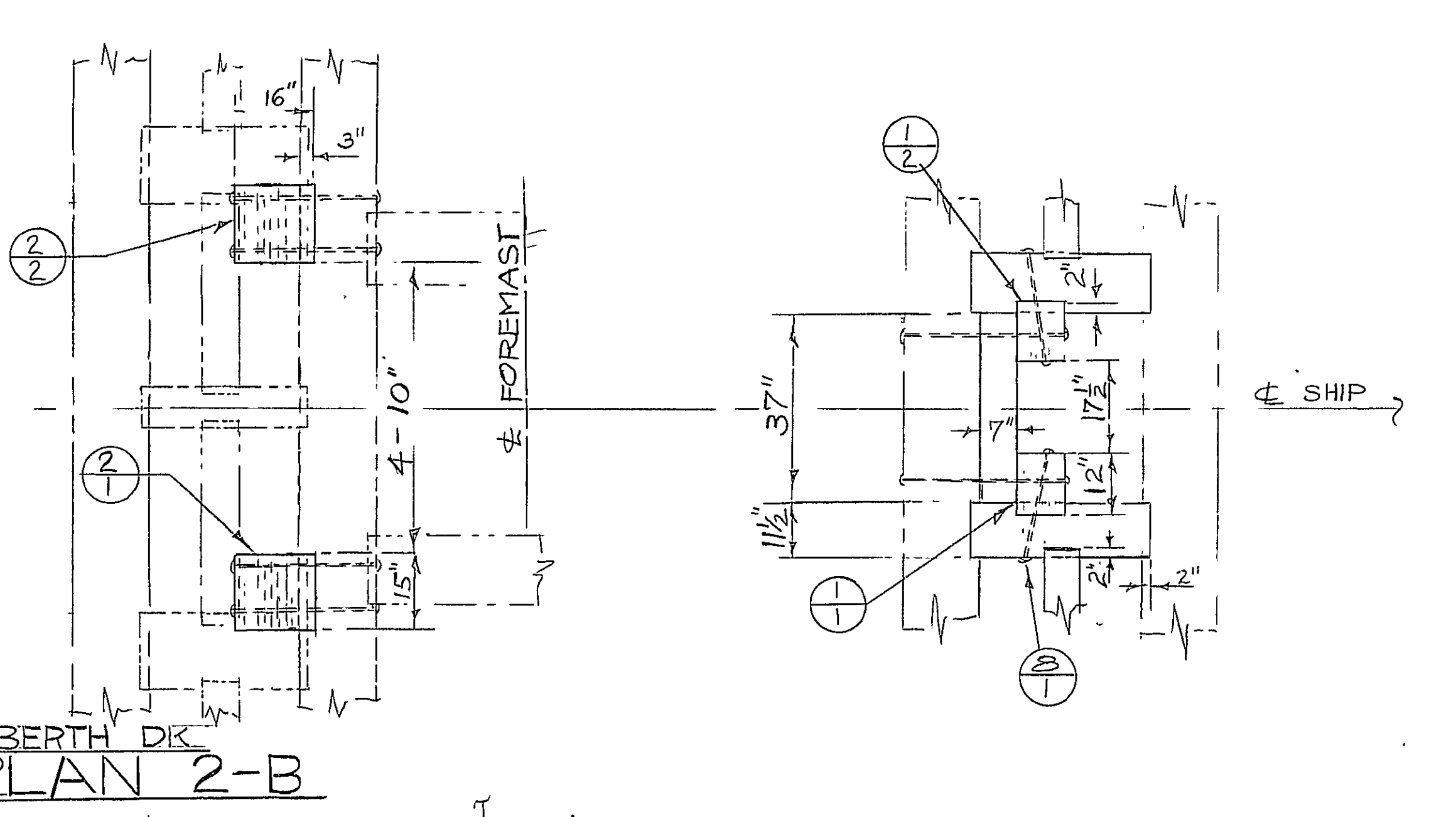
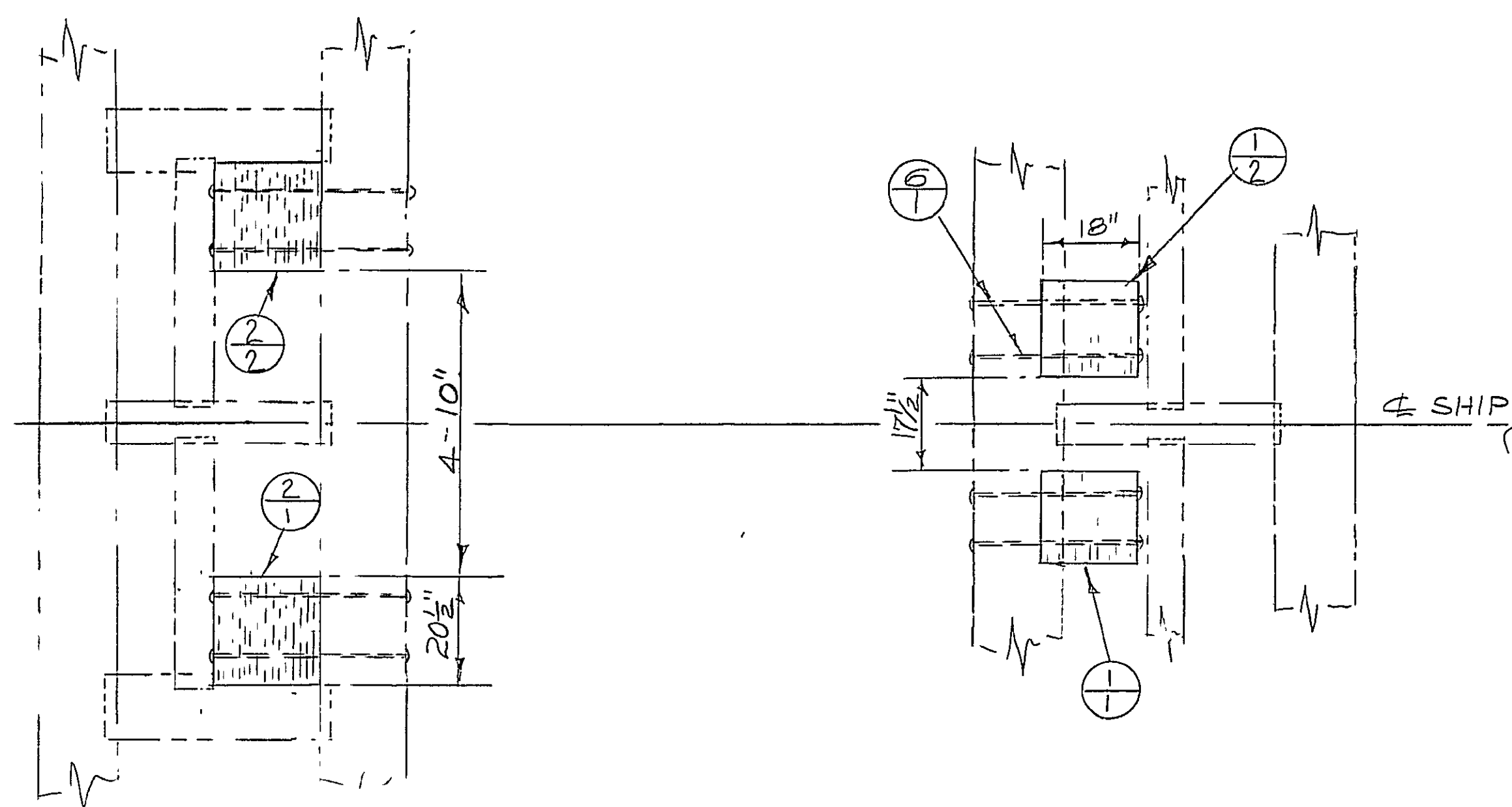
BOWSPRIT BITTS ASSY
SECT 4-A



GUN DK
PLAN 2-C



BERTH DK
PLAN 2-B



BITTS ARRANGEMENT
INBD ELEVATION 2-A

NO.	TITLE	DWG NO.
4	SPAR DECK PLANK REMOVED	B.N.S. 17636
3	GUN DECK PLANK REMOVED	B.N.S. N° 15644
2	BERTH DECK PLANK REMOVED	B.N.S. N° 18285
1	STAN N°2 BEAM BERTH DK	1X21-101-4520782

AUTH:		REFERENCES	
1973	1X21 RESTORATION	1X21	USS CONSTITUTION SHIP IDENT. NO & NAME
EXAMINED		BOSTON NAVAL SHIPYARD BOSTON, MASS 02129	
CODE		BITTS	
BRANCH HD		BOWSPRIT BITT	
BRANCH SUPV		MOORING CHAIN BITT	
CHECKED		ARR & DET	
DRAWN			
SIZE	CODE IDENT. NO.	NAVSHIPS DWG. NO.	REV
H	80060/1X21	600 4520781	A
SCALE: 3-1-74		SHEET 1 OF 1	