

U. S. FRIGATE CONSTITUTION

BLOCK LIST

RESTORATION — 1927-1931

NAVY YARD BOSTON

JUNE — 1929

APPROVED FOR MANAGER

John A. Lord
LIEUT (C.C.) U. S. N.
SUPT OF RESTORATION

C+R. No 165386 SHEETS 1 TO 16 INC

NAME OF BLOCK	RIGGING		BLOCK			SHEAVE		SIZE OF ROPE STRAP INS CIRCUM	FITTINGS	REMARKS
	DIA.	CIRCUM	NO REQ	LENGTH OF SHELL	TYPE	TYPE	SIZE			
FLYING JIB-BOOM										
FLY. JIB STAY TACKLE	$\frac{13}{16}$	$2\frac{1}{2}$	1	7	S	LIGNUM IRON BUSH	$4\frac{1}{4} \times 1 \times \frac{1}{2}$	$2\frac{1}{2}-S$	BECKET - HOOK	
" " " "	$\frac{13}{16}$	$2\frac{1}{2}$	1	7	D	"	" " "	"		
" " HALLIARDS	$\frac{7}{8}$	$2\frac{3}{4}$	2	8	S	GALV IRON IRON BUSH	$4\frac{3}{4} \times \frac{1}{8} \times \frac{5}{8}$	3-S		27 HANKS FOR $4\frac{1}{4}$ " ROPE - ASH OR OAK
" " SHEETS	$\frac{1}{16}$	$3\frac{1}{4}$	2	9	CLUMP	"	$5 \times \frac{3}{8} \times \frac{5}{8}$	$3\frac{1}{4}-S$		
" " DOWNHAUL	$\frac{5}{8}$	2	1	6	S	"	$3\frac{1}{2} \times 1 \times \frac{1}{2}$	2-S		
" " GUY TACKLES	$\frac{13}{16}$	$2\frac{1}{2}$	2	7	S	"	$4\frac{1}{4} \times 1 \times \frac{1}{2}$	$2\frac{1}{2}-S$	BECKET- HOOK	
" " " "	$\frac{13}{16}$	$2\frac{1}{2}$	2	7	D	"	" " "	"		
" " OUTHAUL "	$\frac{13}{16}$	$2\frac{1}{2}$	2	7	S	LIGNUM IRON BUSH	" " "	"	BECKET- HOOK	
" " " "	$\frac{13}{16}$	$2\frac{1}{2}$	2	7	D	"	" " "	"		
FLY. JIBBOOM MART. STAY	1	3	2	10	S	GALV IRON IRON BUSH	$6\frac{1}{4} \times 1\frac{1}{4} \times \frac{5}{8}$			
JIB-BOOM										
FORE T.G STAYSAIL HALLIARDS	$\frac{1}{16}$	$3\frac{1}{4}$	2	10	S	LIGNUM IRON BUSH	$6\frac{1}{4} \times 1\frac{1}{4} \times \frac{5}{8}$	$3\frac{1}{2}-S$	HOOK	25 HANKS FOR 4" STAY - ASH OR OAK
" " " SHEETS	1	3	2	8	CLUMP	"	$4\frac{1}{2} \times \frac{3}{8} \times \frac{5}{8}$	"		
" " " DOWNHAUL	$\frac{13}{16}$	$2\frac{1}{2}$	1	8	S	"	$4\frac{3}{4} \times \frac{1}{8} \times \frac{5}{8}$	3-S		
JIB HALLIARDS	$\frac{1}{16}$	$3\frac{1}{4}$	2	10	S	"	$6\frac{1}{4} \times 1\frac{1}{4} \times \frac{5}{8}$	$3\frac{1}{2}-S$		30 HANKS FOR 5' STAY - ASH OR OAK
" SHEETS	$\frac{1}{16}$	$3\frac{1}{4}$	2	9	CLUMP	"	$5 \times \frac{3}{8} \times \frac{5}{8}$	$3\frac{1}{4}-S$	HOOK	
" DOWNHAUL	$\frac{13}{16}$	$2\frac{1}{2}$	1	8	S	"	$4\frac{3}{4} \times \frac{1}{8} \times \frac{5}{8}$	3-S		
" GUY TACKLES	$\frac{13}{16}$	$2\frac{1}{2}$	2	8	S	"	" " "	"	BECKET-HOOK	
" " " "	$\frac{13}{16}$	$2\frac{1}{2}$	2	8	D	"	" " "	"		
FOLD										
SPRITSAIL YARD										
SPRITSAIL YARD LIFTS	$\frac{13}{16}$	$2\frac{1}{2}$	4	8	S	LIGNUM IRON BUSH	$4\frac{3}{4} \times \frac{1}{8} \times \frac{5}{8}$	3-S		
" BRACES	$\frac{13}{16}$	$2\frac{1}{2}$	2	8	S	"	" " "	$2\frac{1}{2}-D$		
" " "	$\frac{13}{16}$	$2\frac{1}{2}$	2	8	S	"	" " "	3-S	BECKET-HOOK	
FORE TOPMAST STAYSAIL										
HALLIARDS	1	3	2	9	S					24 HANKS FOR 8' STAY - ASH OR OAK
SHEETS	1	3	2	9	CLUMP	GALV IRON IRON BUSH	$5 \times \frac{3}{8} \times \frac{5}{8}$	$3\frac{1}{4}-S$		
DOWNHAUL	$\frac{13}{16}$	$2\frac{1}{2}$	1	8	S	"	$4\frac{3}{4} \times \frac{1}{8} \times \frac{5}{8}$	3-S		

NAME OF BLOCK	RIGGING		BLOCK			SHEAVE		SIZE OF ROPE STRAP INS CIRCUM	FITTINGS	REMARKS
	DIA	CIRCUM	NO REQ	LENGTH OF SHELL	TYPE	TYPE	SIZE			
FOREMAST AND YARD										
FORE PENDANT TACKLES	1 9/16	4 3/4	2	14	S	LIGNUM IRON BUSH	9 1/2 x 5 7/8	6-S		
" " "	1 9/16	4 3/4	4	14	D	"	"	"		
" TRUSS "	7/8	2 3/4	2	10	D	GALV IRON IRON BUSH	6 1/4 x 1 1/4 x 5/8	3 1/2-D	HOOK	
" " "	"	"	2	10	D	"	"	6-S	BECKET	
" JEER FALLS "	1 1/2	4 1/2	1	16	T	"	11 x 2 1/4 x 1	6-D		
" " "	"	"	1	16	T	"	"	6-D	BECKET	
CLEW GARNETS	1	3	2	10	D	"	6 1/4 x 1 1/4 x 5/8	3 1/2-S	HOOK	
"	"	"	2	10	CLEW LINE	"	"	3-S	HOOK	
BUNTLINES	7/8	2 3/4	4	8	S	"	4 3/4 x 1 1/8 x 5/8	2 3/4-S		
"	"	"	2	8	D	"	"	3 1/2-S	HOOK	
LEECH LINES	1 3/16	2 1/2	4	8	S	"	4 3/4 x 1 1/8 x 5/8	2 3/4-S		
"	"	"	2	8	D	"	"	3 1/2-S	HOOK	
BRACES	1 5/16	4	2	14	S	"	9 1/2 x 1 5/8 x 7/8	4-D		
"	"	"	4	14	S	"	"	4 3/4-S		
LIFTS	1 5/16	4	2	14	S	"	"	4 3/4-S	BECKET	
"	"	"	2	14	D	"	"	4 3/4-S	HOOK	
LIFT JIGGERS	1 3/16	2 1/2	2	8	S	"	4 3/4 x 1 1/8 x 5/8	2 3/4-S	BECKET-HOOK	
"	"	"	2	8	D	"	"	3-S	HOOK	
BOOM JIGGERS	1 3/16	2 1/2	2	8	S	"	"	2 1/2-S	BECKET-HOOK	
"	"	"	2	8	D	"	"	2 1/2-S	HOOK	
CLEW JIGGERS	1 3/16	2 1/2	2	8	S	"	"	2 1/2-S	BECKET-HOOK	
"	"	"	2	8	D	"	"	3-S	HOOK	
BUNT WHIP	1 3/16	2 1/2	1	8	S	"	"	2 3/4-S	HOOK	
BOWLINES	1 1/16	3 1/4	2	10	S	"	6 1/4 x 1 1/4 x 5/8	3 1/2-S		
REEF TACKLES	7/8	2 3/4	2	8	S	"	4 3/4 x 1 1/8 x 5/8	2 3/4-S	HOOK	
"	"	"	2	8	CLEW LINE	"	"	2 3/4-S	BECKET-HOOK	
TACKS	1 9/16	4 3/4	4	14	CLUMP	"	8 x 2 1/8 x 7/8	4 3/4-S	HOOK	
SHEETS	1 9/16	4 3/4	2	14	CLUMP	"	"	4 3/4-S	HOOK	2-ADDITIONAL SHEAVES FOR CHESS TREES 14 x 2 x 1 1/4
SWING BOOM TOP LIFT	1 9/16	4 3/4	4	14	S	"	9 1/2 x 1 5/8 x 7/8	4 3/4-S	HOOK	
" " PURCHASE	1 3/16	2 1/2	2	8	S	"	4 3/4 x 1 1/8 x 5/8	3-S	BECKET-HOOK	
FOLD										
SWING BOOM PURCHASE	1 3/16	2 1/2	2	8	D	LIGNUM IRON BUSH	4 3/4 x 1 1/8 x 5/8	3-S		
" " GUYS FORD	1	3	2	8	S	"	"	3-S	BECKET-HOOK	
" " " "	"	"	4	8	S	"	"	3-S	HOOK	
" " " AFT	1	3	2	8	S	"	"	3-S	BECKET-HOOK	
" " " "	"	"	4	8	S	"	"	3-S	HOOK	
ROLLING TACKLE	1 3/16	2 1/2	2	8	S	GALV IRON IRON BUSH	4 3/4 x 1 1/8 x 5/8	3-S	BECKET	
"	"	"	2	8	D	"	"	3-S		
QUARTER BLOCKS	1 9/16	4 3/4	2	15	S	GALV IRON MET BUSH	8 1/2 x 2 x 1 3/8	6-S		
STUNSAIL HALLIARDS-INNER	1 1/16	3 1/4	6	10	S	GALV IRON IRON BUSH	6 1/4 x 1 1/4 x 5/8	3 1/2-S		
" " OUTER	"	"	4	10	S	"	"	3 1/2-S		
" TACKS	7/8	2 3/4	2	8	S	"	4 3/4 x 1 1/8 x 5/8	3-S		
" INHAUL	1 3/16	2 1/2	2	8	S	"	"	2 1/2-S	HOOK	
"	"	"	2	8	S	"	"	2 1/2-S	BECKET-HOOK	
" OUTHAUL	"	"	2	8	S	"	"	2 1/2-S	HOOK	
"	"	"	2	8	S	"	"	2 1/2-S	BECKET-HOOK	
" DOWNHAUL	3/4	2 1/4	2	7	S	"	4 1/4 x 1 x 1/2	2 1/4-S		
" SHEETS	1	3	2	10	S	"	6 1/4 x 1 1/4 x 5/8	3-S		
" CLEWLINES	3/4	2 1/4	4	7	S	"	4 1/4 x 1 x 1/2	2 1/4-S		
SWIFTER	1 9/16	4 3/4	2	14	T	GALV IRON IRON BUSH	9 x 1 5/8 x 7/8	4 1/2-D		
"	"	"	2	14	D	"	"	9-S		

NAME OF BLOCK	RIGGING		BLOCK			SHEAVE		SIZE OF ROPE STRAP INS CIRCUM	FITTINGS	REMARKS
	DIA	CIRCUM	NO REQ	LENGTH OF SHELL	TYPE	TYPE	SIZE			
FORE TOPMAST AND YARD										
TOP BURTONS	1	3	2	18	FIDDLE	GALV IRON IRON BUSH	7x1 1/2 x 3/4 x 5/8 4 1/2 x 1 1/4 x 5/8	3 1/4 - S		2 SHEAVES
" "	1	3	2	10	S	"	6 1/4 x 1 1/4 x 5/8	3 - S	HOOKS	
BREAST STAY TACKLE	1/4	3 3/4	4	12	D	LIENUM IRON BUSH	8 x 1 3/8 x 3/4	8 - S		
" " "	1/4	3 3/4	4	12	T	"	" " "	6 - S	HOOKS	
TOPSAIL TYE	5/8	5	1	19	D	GALV IRON MET BUSH	10 1/4 x 2 1/8 x 1 3/8	5 - D		CHEEK BLOCKS EACH SIDE OF TOPMAST HEAD - SHEAVES 10 x 2 1/4 x 1 1/4 CAST IRON METALINE BUSHING
" HALLIARDS	5/16	4	2	20	S	GALV IRON IRON BUSH	14 x 2 x 1 1/4	4 1/2 - S	BECKET	
" "	5/16	4	2	20	S	"	" " "	"		
" "	5/16	4	2	20	D	"	" " "	5 - S		
BRACES	1/4	3 3/4	6	12	S	"	8 x 1 3/8 x 3/4	3 1/2 - D		
LIFTS	1 3/4	5 1/2	2	30	SISTER	"	9 x 2 1/8 x 1	6 - S		2 SHEAVES
LIFT JIGGERS	7/8	2 3/4	2	8	S	"	4 3/4 x 1 1/8 x 5/8	2 3/4 - S	HOOK - BECKET	
" "	7/8	2 3/4	2	8	D	"	" " "	3 - S	HOOK	
CLEWLINES	1	3	2	11 1/2	CLEW LINE	"	6 1/4 x 1 1/4 x 5/8	3 - S	HOOK	
" "	1	3	2	10	D	"	" " "	3 1/2 - S	HOOK	
BUNTLINES	1	3	2	10	S	"	" " "	4 - S	HOOK - BECKET	
" "	1	3	2	18	SHOE	"	5 1/2 x 1 1/4 x 5/8			2 SHEAVES
REEF TACKLE	1/16	3 1/4	2	11 1/2	CLEW LINE	"	6 1/4 x 1 1/4 x 5/8	3 1/2 - S	HOOK	
" "	1/16	3 1/4	4	10	S	"	" " "	3 - S	HOOK	
SHEETS	1 9/16	4 3/4	2	14	CLUMP	"	8 x 2 1/8 x 7/8	6 - S	HOOK	
BUNT JIGGERS	13/16	2 1/2	2	8	S	"	4 3/4 x 1 1/8 x 5/8	2 1/2 - S	HOOK - BECKET	
" "	13/16	2 1/2	2	8	D	"	" " "	3 - S	HOOK	
CLEW JIGGERS	13/16	2 1/2	2	8	S	"	" " "	2 1/2 - S	HOOK - BECKET	
" "	13/16	2 1/2	2	8	D	"	" " "	3 - S	HOOK	
QUARTER BLOCKS	5/16	4	2	14	D	GALV IRON MET BUSH	8 1/2 x 2 x 1 3/8			
BOWLINES	1/16	3 1/4	2	10	CLUMP	"	6 x 1 1/2 x 3/4	3 1/4 - S		
STUNSAIL HALLIARDS	1	3	2	10	S	GALV IRON IRON BUSH	6 1/4 x 1 1/4 x 5/8	3 - S	HOOK	
" "	1	3	2	10	CLUMP	"	6 x 1 1/2 x 3/4	3 1/2 - S		
" TACKS	7/8	2 3/4	4	8	S	"	4 3/4 x 1 1/8 x 5/8	2 3/4 - S	HOOK	
" INHAUL	5/8	2	2	6	S	"	3 1/2 x 1 x 1/2	2 - S	"	
" "	5/8	2	2	6	D	"	" " "	2 1/4 - S	"	
" OUTHAUL	5/8	2	2	6	S	"	" " "	2 - S	"	
" "	5/8	2	2	6	D	"	" " "	2 1/4 - S	"	
" DOWNHAUL	3/4	2 1/4	2	7	S	"	4 1/4 x 1 x 1/2	2 1/4 - S	"	
" SHEETS	7/8	2 3/4	2	8	S	"	4 3/4 x 1 1/8 x 5/8	3 - S	"	
" YARD LIFT	7/8	2 3/4	2	8	S	"	" " "	2 3/4 - S	"	
" " "	7/8	2 3/4	2	8	D	"	" " "	"	"	
TRICING LINES	13/16	2 1/2	2	8	CLUMP	"	4 1/2 x 1 3/8 x 5/8	"	HOOK	
" "	13/16	2 1/2	2	8	S	"	4 3/4 x 1 1/8 x 5/8	"	"	
BRACES	7/8	2 3/4	2	8	S	"	" " "	"	"	
ANCHOR HANDLING	1/2	4 1/2	2	16	S	GALV IRON IRON BUSH	11 x 2 1/4 x 1	6 - S		AT CROSSTREES (WERE TO BE USED FOR TOPSAIL TYE BEFORE CHEEK BLOCKS WERE ADDED)

NAME OF BLOCK	RIGGING		BLOCK			SHEAVE		SIZE OF ROPE STRAP INS CIRCUM	FITTINGS	REMARKS
	DIA	CIRCUM	NO REQ	LENGTH OF SHELL	TYPE	TYPE	SIZE			
FORE TOPGALLANT MAST AND YARD										
YARD ROPE LONG	1 1/2	4 1/2	1	14	S	GALV IRON IRON BUSH	9 1/2 x 1 7/8 x 7/8	4-D		
SHORT	1 5/16	4	1	12	S	"	8 x 1 3/8 x 3/4	4-D		
MAST ROPE	1 5/16	4	1	12	S	"	" " "	"		1
YARD TACKLE	1	3	1	8	D	"	4 3/4 x 1 1/8 x 5/8	4-S		
"	1	3	1	8	D	"	" " "	"	HOOK - BECKET	
HALLIARDS	7/8	2 3/4	1	8	S	"	4 3/4 x 1 1/8 x 5/8	3-S	HOOK - BECKET	
"	7/8	2 3/4	1	8	D	"	" " "	4-S		
BRACES	3/4	2 1/4	4	7	S	"	4 1/4 x 1 x 1/2	2 1/2-S		
"	3/4	2 1/4	2	7	S	"	" " "	2 1/4-D		
LIFTS	1	3	2	8	S	"	4 3/4 x 1 1/8 x 5/8	NO STRAP		SCORED FOR 3 3/4 ROPE
LIFT JIGGERS	3/4	2 1/4	2	7	S	"	4 1/4 x 1 x 1/2	2 1/2-S		
"	3/4	2 1/4	2	7	D	"	" " "	3-S	HOOK	
CLEWLINES	3/4	2 1/4	2	7	D	"	" " "	"	"	
BUNTLINES	3/4	2 1/4	2	7	S	"	" " "	2 1/2-S		
BREAST STAY TACKLE	7/8	2 3/4	2	10	S	LIGNUM IRON BUSH	6 1/4 x 1 1/4 x 5/8	4 1/2-S		
"	7/8	2 3/4	2	10	D	"	" " "	3 1/2-S		
SHEETS	1 5/16	4	2	12	D	GALV IRON IRON BUSH	8 x 1 3/8 x 3/4	4-S	HOOK	
BUNT WHIP	3/4	2 1/4	1	7	S	"	4 1/4 x 1 x 1/2	2 1/2-S		
STUNSAIL HALLIARDS	3/4	2 1/4	2	7	S	"	4 1/4 x 1 x 1/2	3-S	HOOK	
"	3/4	2 1/4	2	7	CUMP	"	4 1/4 x 1 1/8 x 1/2	"		
" TACKS	3/4	2 1/4	2	7	S	"	4 1/4 x 1 x 1/2	"		
" DOWNHAUL	9/16	1 3/4	2	6	S	"	3 1/2 x 1 x 1/2	2-S	HOOK - BECKET	
"	9/16	1 3/4	2	6	D	"	" " "	2 1/4-S	HOOK	
" SHEETS	3/4	2 1/4	2	7	S	"	4 1/4 x 1 x 1/2	3-S		
" TRICING LINES	5/8	2	2	6	S	"	3 1/2 x 1 x 1/2	2-S	HOOK - BECKET	
"	5/8	2	2	6	D	"	" " "	2 1/2-S	HOOK	
QUARTER BLOCKS	1 3/16	2 1/2	2	8	D	"	4 3/4 x 1 1/8 x 5/8	3-S		
FORE ROYAL MAST AND YARD										
YARD ROPE	7/8	2 3/4	1	8	S	GALV IRON IRON BUSH	4 3/4 x 1 1/8 x 5/8	3-S	HOOK	
BRACES	5/8	2	2	6	S	"	3 1/2 x 1 x 1/2	2 1/4-S		
LIFTS	3/4	2 1/4	2	7	S	"	4 1/4 x 1 x 1/2	NO STRAP		SCORED FOR 3 1/4 ROPE
CLEWLINES	3/4	2 1/4	2	6	S	"	3 1/2 x 1 x 1/2	2 1/4-S		
BUNTLINES	3/4	2 1/4	2	6	S	"	" " "	"		
SHEETS	1 3/16	2 1/2	2	7	D	"	4 1/4 x 1 x 1/2	2 1/2-S		

NAME OF BLOCK	RIGGING		BLOCK			SHEAVE		SIZE OF ROPE STRAP INS. CIRCUM.	FITTINGS	REMARKS
	DIA	CIRCUM	NO REQ	LENGTH OF SHELL	TYPE	TYPE	SIZE			
						MAIN MAST AND		YARD		
MAIN PENDANT TACKLES	1 9/16	4 3/4	2	14	S	LIGNUM IRON BUSH	9 1/2 x 7 7/8 x 7 7/8	6-S	BECKET	
"	1 10/16	4 3/4	2	14	D	"	"	"	"	
TRUSS	7/8	2 3/4	2	10	D	GALV IRON IRON BUSH	6 1/4 x 1 1/4 x 5/8	3 1/2-D	HOOK	
"	7/8	2 3/4	2	10	D	"	"	6-S	BECKET	
JEER FALLS	1 1/2	4 1/2	1	16	T	"	11 x 2 1/4 x 1	6-D		
"	1 1/2	4 1/2	1	16	T	"	"	"	BECKET	
CLEW GARNETS	1	3	2	10	D	"	6 1/4 x 1 1/4 x 5/8	3 1/2-S	HOOK	
"	1	3	2	11 1/2	CLEW LINE	"	"	3-S	HOOK	
BUNTLINES	1	3	4	10	S	"	"	"		
"	1	3	2	10	D	"	"	3 1/2-S		
LEECHLINES	1 3/16	2 1/2	4	8	S	"	4 3/4 x 1 1/8 x 5/8	2 3/4-S		
"	1 3/16	2 1/2	2	8	D	"	"	3 1/2-S	HOOK	
BRACES	1 1/2	4 1/2	2	14	S	"	9 1/2 x 1 5/8 x 7/8	4 1/2-D	HOOK	4 BULLSEYES OR LARGE HOOPS FOR TIMENOGUY 2 ADDITIONAL SHEAVES FOR CHESS TREES 14 x 2 x 1/4
LIFTS	1 5/16	4	2	14	S	"	9 1/2 x 1 5/8 x 7/8	4 3/4-S	BECKET	
"	1 5/16	4	2	14	D	"	"	"	HOOK	
LIFT JIGGERS	7/8	2 3/4	2	8	S	"	4 3/4 x 1 1/8 x 5/8	2 3/4-S	BECKET	
"	7/8	2 3/4	2	8	D	"	"	3-S		
BOOM JIGGERS	1 3/16	2 1/2	2	8	S	"	"	2 1/2-S	HOOK - BECKET	
"	1 3/16	2 1/2	2	8	D	"	"	"	HOOK	
CLEW JIGGERS	1 3/16	2 1/2	2	8	S	"	"	"	HOOK - BECKET	
"	1 3/16	2 1/2	2	8	D	"	"	3-S	HOOK	
BUNT WHIP	1 3/16	2 1/2	1	8	S	"	"	2 3/4-S	HOOK	
B W LINES	1	3	2	10	S	LIGNUM IRON BUSH	6 1/4 x 1 1/4 x 5/8	3 1/2-S		
REEF TACKLES	1	3	2	10	S	GALV IRON IRON BUSH	"	"	HOOK - BECKET	
"	1	3	2	11 1/2	CLEW LINE	"	"	"	HOOK	
TACKS	1 9/16	4 3/4	4	14	CLUMP	LIGNUM IRON BUSH	8 x 2 1/8 x 7/8	4 3/4-S	HOOK	
SHEETS	1 9/16	4 3/4	2	14	CLUMP	"	"	"		2 ADDITIONAL SHEAVES FOR CHESS TREES 14 x 2 x 1/4 C.I. METALINE BUSHED
QUARTER BLOCKS	1 9/16	4 3/4	2	15	S	GALV IRON MET BUSH	8 1/2 x 2 x 1 3/8	6-S		
ROLLING TACKLE	1 3/16	2 1/2	2	8	S	GALV IRON IRON BUSH	4 3/4 x 1 1/8 x 5/8	3-S		
"	1 3/16	2 1/2	2	8	D	"	"	"		
STUNSAIL BOOM INHAUL	3/4	2 1/4	2	7	S	"	4 1/4 x 1 x 1/2	2 1/4-S	HOOK - BECKET	
"	3/4	2 1/4	2	7	D	"	"	2 3/4-S		
OUTHHAUL	3/4	2 1/4	2	7	S	"	"	2 1/4-S	HOOK - BECKET	
"	3/4	2 1/4	2	7	D	"	"	2 3/4-S		
SWIFTER	1 9/16	4 3/4	2	14	T	GALV IRON IRON BUSH	9 1/2 x 1 5/8 x 7/8	4 1/2-D		
"	"	"	2	14	D	"	"	9-S		

NAME OF BLOCK	RIGGING		BLOCK			SHEAVE		SIZE OF ROPE STRAP INS CIRCUM	FITTINGS	REMARKS
	DIA	CIRCUM	NO REQ	LENGTH OF SHELL	TYPE	TYPE	SIZE			
MAIN TOPMAST AND YARD										
TOP BURTON	1	3	2	18	FIDDLE	GALV IRON IRON BUSH	$7\frac{1}{4} \times 1\frac{1}{4} \times \frac{3}{4}$ $1\frac{1}{2} \times 1\frac{1}{4} \times \frac{5}{8}$	$3\frac{1}{4}$ -S	HOOK	2 SHEAVES
"	1	3	2	10	S	"	$6\frac{1}{4} \times 1\frac{1}{4} \times \frac{5}{8}$	3-S	"	
BREAST STAY TACKLE	$1\frac{1}{4}$	$3\frac{3}{4}$	4	12	D	LIGNUM IRON BUSH	$8 \times 1\frac{3}{8} \times \frac{3}{4}$	8-S		
"	$1\frac{1}{4}$	$3\frac{3}{4}$	4	12	T	"	"	6-S	HOOK	
TOPSAIL TYE	$1\frac{3}{4}$	$5\frac{1}{2}$	1	19	D	GALV IRON MET BUSH	$10\frac{1}{4} \times 2\frac{1}{8} \times \frac{3}{8}$	5-D		CHEEK BLOCKS EACH SIDE OF TOPMAST HEAD - SHEAVES $10 \times 2\frac{1}{4} \times 1\frac{1}{4}$ CAST IRON METALINE BUSHED
HALLIARDS	$1\frac{5}{16}$	4	2	20	S	"	$14 \times 2 \times 1\frac{1}{4}$	$4\frac{1}{2}$ -S	BECKET	
"	$1\frac{5}{16}$	4	2	20	S	"	"	"	"	
"	$1\frac{5}{16}$	4	2	20	D	"	"	5-S	"	
BRACES	$1\frac{1}{2}$	$4\frac{1}{2}$	2	14	S	"	$9\frac{1}{2} \times 1\frac{5}{8} \times \frac{7}{8}$	$4\frac{1}{2}$ -D		
"	$1\frac{1}{2}$	$4\frac{1}{2}$	4	14	S	"	"	$4\frac{1}{2}$ -S		
LIFTS	$1\frac{3}{4}$	$5\frac{1}{2}$	2	30	SISTER	"	$9 \times 2\frac{1}{8} \times 1$	6-S		2 SHEAVES
LIFT JIGGERS	$7\frac{7}{8}$	$2\frac{3}{4}$	2	8	S	"	$4\frac{3}{4} \times 1\frac{1}{8} \times \frac{5}{8}$	$2\frac{3}{4}$ -S	HOOK-BECKET	
"	$7\frac{7}{8}$	$2\frac{3}{4}$	2	8	D	"	"	3-S	HOOK	
CLEWLINES	1	3	2	$11\frac{1}{2}$	CLEW LINE	"	$6\frac{1}{4} \times 1\frac{1}{4} \times \frac{5}{8}$	"	"	
"	1	3	2	10	D	"	"	$3\frac{1}{2}$ -S	"	
BUNTLINES	1	3	2	10	S	"	"	4-S		
"	1	3	2	18	SHOE	"	$5\frac{1}{2} \times 1\frac{1}{4} \times \frac{5}{8}$	"		2 SHEAVES
REEF TACKLES	$1\frac{1}{16}$	$3\frac{1}{4}$	2	$11\frac{1}{2}$	CLEW LINE	"	$6\frac{1}{4} \times 1\frac{1}{4} \times \frac{5}{8}$	$3\frac{1}{2}$ -S	HOOK	
"	$1\frac{1}{16}$	$3\frac{1}{4}$	4	10	S	"	"	3-S	"	
SHEETS	$1\frac{5}{16}$	5	4	14	CLUMP	"	$8 \times 2\frac{1}{8} \times \frac{7}{8}$	6-S	"	
BUNT JIGGERS	$1\frac{13}{16}$	$2\frac{1}{2}$	2	8	S	"	$4\frac{3}{4} \times 1\frac{1}{8} \times \frac{3}{8}$	$2\frac{1}{2}$ -S	HOOK-BECKET	
"	$1\frac{13}{16}$	$2\frac{1}{2}$	2	8	D	"	"	3-S	HOOK	
CLEW JIGGERS	$1\frac{13}{16}$	$2\frac{1}{2}$	2	8	S	"	"	$2\frac{1}{2}$ -S	HOOK-BECKET	
"	$1\frac{13}{16}$	$2\frac{1}{2}$	2	8	D	"	"	3-S	"	
MAIN TOPSAIL TACKLE	$1\frac{1}{4}$	$3\frac{3}{4}$	4	12	D	"	$8 \times 1\frac{3}{8} \times \frac{3}{4}$	5-S	HOOK	
BOWLINES	$1\frac{1}{16}$	$3\frac{1}{4}$	2	10	CLUMP	"	$6 \times 1\frac{1}{2} \times \frac{3}{4}$	$3\frac{1}{4}$ -S		BULLSEYES AND TOGGLES
STUNSAIL HALLIARDS	1	3	2	10	S	"	$6\frac{1}{4} \times 1\frac{1}{4} \times \frac{5}{8}$	3-S	HOOK	
"	1	3	2	10	CLUMP	"	$6 \times 1\frac{1}{2} \times \frac{3}{4}$	$3\frac{1}{2}$ -S		
" TACKS	$1\frac{1}{16}$	$2\frac{3}{4}$	4	8	S	"	$4\frac{3}{4} \times 1\frac{1}{8} \times \frac{5}{8}$	$2\frac{3}{4}$ -S	HOOK	
" INHAUL	$1\frac{1}{16}$	2	2	6	S	"	$3\frac{1}{2} \times 1 \times \frac{1}{2}$	2-S		
"	$1\frac{1}{16}$	2	2	6	D	"	"	$2\frac{1}{4}$ -S	HOOK	
" OUTHAUL	$1\frac{1}{16}$	2	2	6	S	"	"	2-S		
"	$1\frac{1}{16}$	2	2	6	D	"	"	$2\frac{1}{4}$ -S		
" DOWNHAUL	$1\frac{1}{16}$	$2\frac{1}{4}$	2	7	S	"	$4\frac{1}{4} \times 1 \times \frac{1}{2}$	$2\frac{1}{4}$ -S		
" SHEETS	$1\frac{1}{16}$	$2\frac{3}{4}$	2	8	S	"	$4\frac{3}{4} \times 1\frac{1}{8} \times \frac{5}{8}$	3-S		
TRICING LINES	$1\frac{1}{16}$	$2\frac{1}{2}$	2	8	CLUMP	"	$4\frac{1}{2} \times 1\frac{3}{8} \times \frac{5}{8}$	$2\frac{3}{4}$ -S	HOOK	
"	$1\frac{1}{16}$	$2\frac{1}{2}$	2	8	S	"	$4\frac{3}{4} \times 1\frac{1}{8} \times \frac{5}{8}$	"	"	
BRACES	$1\frac{1}{16}$	$2\frac{3}{4}$	2	8	S	"	"	"	"	
			2	18	S	GALV IRON IRON BUSH	$12 \times 2\frac{5}{8} \times 1\frac{1}{8}$	7-S		AT CROSSSTREES - WERE TO BE USED FOR TOPSAIL TYE BEFORE CHEEK BLOCKS WERE ADDED

NAME OF BLOCK	RIGGING		BLOCK			SHEAVE		SIZE OF ROPE STRAP INS CIRCUM	FITTINGS	REMARKS
	DIA	CIRCUM	NO REQ	LENGTH OF SHELL	TYPE	TYPE	SIZE			
MAIN TOPGALLANT MAST AND YARD										
YARD ROPE	$\frac{1}{2}$	$4\frac{1}{2}$	1	14	S	GALV IRON IRON BUSH	$\frac{1}{2} \times \frac{7}{8} \times \frac{7}{8}$	6-S		
" "	$\frac{5}{16}$	4	1	12	S	"	$8 \times \frac{3}{8} \times \frac{3}{4}$	4-D		
MAST ROPE	$\frac{5}{16}$	4	1	12	S	"	" " "	4-D		
YARD TACKLE	1	3	1	8	D	"	$4\frac{3}{4} \times \frac{1}{8} \times \frac{5}{8}$	4-S		
" "	1	3	1	8	D	"	" " "	"	HOOK-BECKET	
HALLIARDS	$\frac{7}{8}$	$2\frac{3}{4}$	1	8	S	"	" " "	3-S		
" "	$\frac{7}{8}$	$2\frac{3}{4}$	1	8	D	"	" " "	4-S		
BRACES	$\frac{13}{16}$	$2\frac{1}{2}$	4	8	S	"	" " "	$2\frac{3}{4}$ -S		
" "	$\frac{13}{16}$	$2\frac{1}{2}$	2	8	S	"	" " "	$2\frac{1}{2}$ -D		
LIFTS	1	3	2	8	S	"	" " "	NO STRAP		SCORE FOR $3\frac{3}{4}$ ROPE
LIFT JIGGERS	$\frac{3}{4}$	$2\frac{1}{4}$	2	7	S	"	$4\frac{1}{4} \times 1 \times \frac{1}{2}$	$2\frac{1}{2}$ -S		
" "	$\frac{3}{4}$	$2\frac{1}{4}$	2	7	D	"	" " "	3-S	HOOK	
CLEWLINES	$\frac{13}{16}$	$2\frac{1}{2}$	2	8	D	"	$4\frac{3}{4} \times \frac{1}{8} \times \frac{5}{8}$	$3\frac{1}{2}$ -S	HOOK	
BUNTLINES	$\frac{3}{4}$	$2\frac{1}{4}$	2	7	S	"	$4\frac{1}{4} \times 1 \times \frac{1}{2}$	$2\frac{1}{2}$ -S		
BREASTSTAY TACKLE	$\frac{7}{8}$	$2\frac{3}{4}$	2	12	S	LIGNUM IRON BUSH	$8 \times \frac{3}{8} \times \frac{3}{4}$	$4\frac{1}{2}$ -S		
" "	$\frac{7}{8}$	$2\frac{3}{4}$	2	12	D	"	" " "	$3\frac{1}{2}$ -S		
SHEETS	$\frac{5}{16}$	4	2	12	D	GALV IRON IRON BUSH	$8 \times \frac{3}{8} \times \frac{3}{4}$	4-S	HOOK	
BUNTWHIP	$\frac{3}{4}$	$2\frac{1}{4}$	1	7	S	"	$4\frac{1}{4} \times 1 \times \frac{1}{2}$	$2\frac{1}{2}$ -S		
STUNSAIL HALLIARDS	$\frac{3}{4}$	$2\frac{1}{4}$	2	7	S	"	" " "	3-S	HOOK	
" "	$\frac{3}{4}$	$2\frac{1}{4}$	2	7	CLUMP	"	$4\frac{1}{4} \times \frac{1}{8} \times \frac{1}{2}$	3-S		
" TACKS	$\frac{3}{4}$	$2\frac{1}{4}$	2	7	S	"	$4\frac{1}{4} \times 1 \times \frac{1}{2}$	3-S		
" DOWNHAUL	$\frac{9}{16}$	$1\frac{3}{4}$	2	6	S	"	$3\frac{1}{2} \times 1 \times \frac{1}{2}$	2-S	HOOK-BECKET	
" "	$\frac{9}{16}$	$1\frac{3}{4}$	2	6	D	"	" " "	$2\frac{1}{4}$ -S		
" SHEETS	$\frac{3}{4}$	$2\frac{1}{4}$	2	7	S	"	$4\frac{1}{4} \times 1 \times \frac{1}{2}$	3-S		
" TRICING LINES	$\frac{5}{8}$	2	2	6	S	"	$3\frac{1}{2} \times 1 \times \frac{1}{2}$	2-S	HOOK-BECKET	
" " "	$\frac{5}{8}$	2	2	6	D	"	" " "	$2\frac{1}{4}$ -S	"	
QUARTER BLOCKS	$\frac{7}{8}$	$2\frac{3}{4}$	2	8	D	"	$4\frac{3}{4} \times \frac{1}{8} \times \frac{5}{8}$	3-S		
MAIN ROYAL MAST AND YARD										
YARD ROPE	$\frac{7}{8}$	$2\frac{3}{4}$	1	8	S	GALV IRON IRON BUSH	$4\frac{3}{4} \times \frac{1}{8} \times \frac{5}{8}$	3-S		
BRACES	$\frac{13}{16}$	$2\frac{1}{4}$	2	7	S	"	$4\frac{1}{4} \times 1 \times \frac{1}{2}$	$2\frac{1}{2}$ -S		
LIFTS	$\frac{7}{8}$	$2\frac{3}{4}$	2	7	S	"	" " "	NO STRAP		SCORE FOR $3\frac{1}{4}$ ROPE
CLEWLINES	$\frac{13}{16}$	$2\frac{1}{4}$	2	7	S	"	" " "	$2\frac{1}{2}$ -S		
BUNTLINES	$\frac{3}{4}$	$2\frac{1}{4}$	2	7	S	"	" " "	$2\frac{1}{2}$ -S		
SHEETS	$\frac{7}{8}$	$2\frac{3}{4}$	2	8	D	"	$4\frac{3}{4} \times \frac{1}{8} \times \frac{5}{8}$	3-S		
U S FRIGATE CONSTITUTION-BLOCK LIST PLAN NO 30359 - SHEET NO 7										

NAME OF BLOCK	RIGGING		BLOCK			SHEAVE		SIZE OF ROPE STRAP INS CIRCUM	FITTINGS	REMARKS
	DIA	CIRCUM	NO REQ.	LENGTH OF SHELL	TYPE	TYPE	SIZE			
MAIN ROYAL STAYSAIL										18 HANKS FOR 3 STAY - ASH OR OAK
HALLIARDS	$\frac{13}{16}$	$2\frac{1}{2}$	2	7	S	GALV IRON IRON BUSH	$4\frac{1}{4} \times 1 \times \frac{1}{2}$	$2\frac{1}{2}-S$	HOOK	
TACKS	$\frac{13}{16}$	2	1	6	S	"	$3\frac{1}{2} \times 1 \times \frac{1}{2}$	$2\frac{1}{4}-S$	"	
DOWNHAUL	$\frac{13}{16}$	2	1	6	S	"	"	$2\frac{1}{4}-S$	HOOK	
SHEETS	$\frac{13}{16}$	$2\frac{1}{2}$	2	7	S	"	$4\frac{1}{4} \times 1 \times \frac{1}{2}$	$2\frac{1}{2}-S$	HOOK	
"	$\frac{13}{16}$	$2\frac{1}{2}$	2	7	CLUMP	"	$4\frac{1}{4} \times \frac{1}{8} \times \frac{1}{2}$	$2\frac{1}{2}-S$		
MAIN TOPGALLANT STAYSAIL										19 HANKS FOR 3" STAY - ASH OR OAK
HALLIARDS	$\frac{13}{16}$	$2\frac{3}{4}$	2	8	S	GALV IRON IRON BUSH	$4\frac{3}{4} \times \frac{1}{8} \times \frac{5}{8}$	$2\frac{3}{4}-S$	HOOK	
TACKS	$\frac{13}{16}$	2	1	6	S	"	$3\frac{1}{2} \times 1 \times \frac{1}{2}$	$2\frac{1}{4}-S$	"	
DOWNHAUL	$\frac{13}{16}$	2	1	6	S	"	"	"	"	
SHEETS	$\frac{13}{16}$	$2\frac{3}{4}$	2	8	S	"	$4\frac{3}{4} \times \frac{1}{8} \times \frac{5}{8}$	$2\frac{3}{4}-S$	"	
"	$\frac{13}{16}$	$2\frac{3}{4}$	2	8	CLUMP	"	$4\frac{1}{2} \times \frac{1}{8} \times \frac{5}{8}$	"		
MAIN TOPMAST STAYSAIL										28 HANKS FOR 8" STAY - ASH OR OAK
HALLIARDS	1	3	2	9	S	GALV. IRON IRON BUSH.	$5\frac{1}{2} \times \frac{1}{8} \times \frac{5}{8}$	3-S	HOOK	
TACKS	$\frac{13}{16}$	$2\frac{1}{2}$	1	7	S	"	$4\frac{1}{4} \times 1 \times \frac{1}{2}$	$2\frac{1}{2}-S$		
DOWNHAUL	$\frac{13}{16}$	$2\frac{1}{2}$	1	7	S	"	"	"	HOOK	
SHEETS	1	3	2	9	S	"	$5\frac{1}{2} \times \frac{1}{8} \times \frac{5}{8}$	3-S	"	
"	1	3	2	9	CLUMP	"	$5 \times \frac{1}{8} \times \frac{5}{8}$	"		
MIZZEN MAST AND CROSSJACK YARD										
PENDANT TACKLE	$\frac{13}{16}$	4	2	12	S	LIGNUM IRON BUSH	$8 \times \frac{3}{8} \times \frac{3}{4}$	5-S		
"	$\frac{13}{16}$	4	2	12	D	"	"	"		
TRUSS	$\frac{13}{16}$	$2\frac{1}{2}$	2	8	D	GALV IRON IRON BUSH.	$4\frac{3}{4} \times \frac{1}{8} \times \frac{5}{8}$	3-D	HOOK	
"	$\frac{13}{16}$	$2\frac{1}{2}$	2	8	D	"	"	5-S	BECKET	
BRACES	1	3	2	10	S	"	$6\frac{1}{4} \times \frac{1}{4} \times \frac{5}{8}$	3-D		
"	1	3	2	10	D	"	"	4-S		
LIFTS	$\frac{15}{16}$	5	2	15	S	GALV IRON MET BUSH	$8\frac{1}{2} \times 2 \times \frac{3}{8}$	6-S		
JEER FALLS	$\frac{1}{4}$	$3\frac{3}{4}$	1	12	T	GALV IRON IRON BUSH	$8 \times \frac{3}{8} \times \frac{3}{4}$	4-D	BECKET	
"	$\frac{1}{4}$	$3\frac{3}{4}$	1	12	T	"	"	4-D		
QUARTER BLOCKS	$\frac{1}{16}$	$3\frac{1}{4}$	2	10	S	GALV IRON MET BUSH	$6\frac{1}{2} \times \frac{1}{2} \times \frac{3}{4}$	$3\frac{1}{4}-S$		
SWIFTER	$\frac{15}{16}$	4	2	12	T	GALV IRON IRON BUSH	$8 \times \frac{3}{8} \times \frac{3}{4}$	$3\frac{3}{4}-D$		
"	$\frac{15}{16}$	4	2	12	D	"	"	7-S		

NAME OF BLOCK	RIGGING		BLOCK			SHEAVE		SIZE OF ROPE STRAP INS CIRCUM	FITTINGS	REMARKS
	DIA	CIRCUM	NO REQ	LENGTH OF SHELL	TYPE	TYPE	SIZE			
MIZZEN TOPMAST AND YARD										
TOP BURTONS	$\frac{7}{8}$	$2\frac{3}{4}$	2	16	FIDDLE	GALV IRON IRON BUSH	$6 \times \frac{1}{8} \times \frac{5}{8}$ $4 \times \frac{1}{8} \times \frac{5}{8}$	$3\frac{1}{4}-S$	HOOK	2 SHEAVES
" "	$\frac{7}{8}$	$2\frac{3}{4}$	2	8	S	"	$4\frac{3}{4} \times \frac{1}{8} \times \frac{5}{8}$	$2\frac{3}{4}-S$	"	
BREAST STAY TACKLE	1	3	4	10	D	LIGNUM IRON BUSH	$6\frac{1}{4} \times \frac{1}{4} \times \frac{5}{8}$	6-S		
" " "	1	3	4	10	T	"	" " "	4-S	HOOK	
TOPSAIL TYE	$\frac{5}{16}$	4	3	12	S	GALV IRON IRON BUSH	$8 \times \frac{3}{8} \times \frac{3}{4}$	2-4-S 1-4-D		
" HALLIARDS	1	3	2	14	S	"	$9 \times \frac{1}{4} \times \frac{3}{4}$	$3\frac{1}{2}-S$	BECKET	
" "	1	3	2	14	S	"	" " "	"		
" "	1	3	2	14	D	"	" " "	4-S		
BRACES	$\frac{13}{16}$	$2\frac{1}{2}$	2	10	S	"	$6\frac{1}{4} \times \frac{1}{4} \times \frac{5}{8}$	4-D		
"	$\frac{13}{16}$	$2\frac{1}{2}$	2	10	D	"	" " "	3-S		
LIFTS	$\frac{1}{4}$	$3\frac{3}{4}$	2	27	SISTER	"	$8 \times \frac{5}{8} \times \frac{3}{4}$	$4\frac{1}{2}-S$		2 SHEAVES
LIFT JIGGERS	$\frac{13}{16}$	$2\frac{1}{2}$	2	7	S	"	$4\frac{1}{4} \times 1 \times \frac{1}{2}$	$2\frac{1}{2}-S$	HOOK - BECKET	
" "	$\frac{13}{16}$	$2\frac{1}{2}$	2	7	D	"	" " "	3-S	"	
CLEWLINES	$\frac{7}{8}$	$2\frac{3}{4}$	2	9	CLEW LINE	"	$4\frac{3}{4} \times \frac{1}{8} \times \frac{5}{8}$	$2\frac{3}{4}-S$	"	
"	$\frac{7}{8}$	$2\frac{3}{4}$	2	8	D	"	" " "	3-S	"	
BUNTLINES	$\frac{7}{8}$	$2\frac{3}{4}$	2	8	S	"	$4\frac{1}{2} \times \frac{3}{8} \times \frac{5}{8}$	4-S	"	
REEF TACKLE	$\frac{7}{8}$	$2\frac{3}{4}$	2	9	CLEW LINE	"	$4\frac{3}{4} \times \frac{1}{8} \times \frac{5}{8}$	3-S	HOOK	
" "	$\frac{7}{8}$	$2\frac{3}{4}$	4	8	S	"	" " "	$2\frac{3}{4}-S$	"	
SHEETS	$\frac{1}{16}$	$3\frac{1}{4}$	2	10	CLUMP	"	$6 \times 1\frac{1}{2} \times \frac{3}{4}$	$3\frac{1}{4}-S$	"	
"	$\frac{1}{16}$	$3\frac{1}{4}$	2	10	S	"	$6\frac{1}{4} \times \frac{1}{4} \times \frac{5}{8}$	"		
BUNT JIGGERS	$\frac{3}{4}$	$2\frac{1}{4}$	2	7	S	"	$4\frac{1}{4} \times 1 \times \frac{1}{2}$	$2\frac{1}{4}-S$	HOOK - BECKET	
" "	$\frac{3}{4}$	$2\frac{1}{4}$	2	7	D	"	" " "	$2\frac{3}{4}-S$	"	
CLEW JIGGERS	$\frac{3}{4}$	$2\frac{1}{4}$	2	7	S	"	" " "	$2\frac{1}{4}-S$	" BECKET	
" "	$\frac{3}{4}$	$2\frac{1}{4}$	2	7	D	"	" " "	$2\frac{3}{4}-S$	"	
BOWLINES	$\frac{13}{16}$	$2\frac{1}{2}$	2	8	CLUMP	"	$4\frac{1}{2} \times \frac{3}{8} \times \frac{5}{8}$	$2\frac{1}{2}-S$		
QUARTER BLOCKS	$\frac{1}{16}$	$3\frac{1}{4}$	2	10	D	"	$6\frac{1}{4} \times \frac{1}{4} \times \frac{5}{8}$	$3\frac{1}{4}-S$		
MIZZEN TOPGALLANT MAST AND YARD										
YARD ROPE (LONG)	$\frac{1}{16}$	$3\frac{1}{4}$	1	10	S	GALV IRON IRON BUSH	$6\frac{1}{4} \times \frac{1}{4} \times \frac{5}{8}$	5-S		
" " (SHORT)	$\frac{1}{16}$	$3\frac{1}{4}$	1	10	S	"	" " "	"		
MAST ROPE	$\frac{1}{16}$	$3\frac{1}{4}$	1	10	S	"	" " "	"		
YARD TACKLE	$\frac{13}{16}$	$2\frac{1}{2}$	1	7	D	"	$4\frac{1}{4} \times 1 \times \frac{1}{2}$	3-S		
" "	$\frac{13}{16}$	$2\frac{1}{2}$	1	7	D	"	" " "	"		
HALLIARDS	$\frac{13}{16}$	$2\frac{1}{2}$	2	7	S	"	" " "	$2\frac{3}{4}-S$	HOOK BECKET	
"	$\frac{13}{16}$	$2\frac{1}{2}$	2	7	D	"	" " "	3-S		
BRACES	$\frac{5}{8}$	2	2	6	S	"	$3\frac{1}{2} \times 1 \times \frac{1}{2}$	$2\frac{1}{2}-S$		
LIFTS	$\frac{13}{16}$	$2\frac{1}{2}$	2	7	S	"	$4\frac{1}{4} \times 1 \times \frac{1}{2}$	NO STRAP		SCORED FOR $3\frac{1}{2}$ ROPE
CLEWLINES	$\frac{5}{8}$	2	2	6	D	"	$3\frac{1}{2} \times 1 \times \frac{1}{2}$	$2\frac{1}{2}-S$	HOOK	
BUNTLINES	$\frac{5}{8}$	2	2	6	S	"	" " "	"		
BREAST STAY TACKLE	$\frac{13}{16}$	$2\frac{1}{2}$	2	8	S	"	$4\frac{3}{4} \times \frac{1}{8} \times \frac{5}{8}$	$3\frac{1}{2}-S$		
" "	$\frac{13}{16}$	$2\frac{1}{2}$	2	8	D	"	" " "	3-S		
SHEETS	$\frac{1}{16}$	$3\frac{1}{4}$	2	10	S	"	$6\frac{1}{4} \times \frac{1}{4} \times \frac{5}{8}$	$3\frac{1}{4}-S$	HOOK	
QUARTER BLOCKS	$\frac{3}{4}$	$2\frac{1}{4}$	2	7	D	"	$4\frac{1}{4} \times 1 \times \frac{1}{2}$	$2\frac{3}{4}-S$		

NAME OF BLOCK	RIGGING		BLOCK			SHEAVE		SIZE OF ROPE STRAP INS CIRCUM	FITTINGS	REMARKS
	DIA	CIRCUM	NO REQ	LENGTH OF SHELL	TYPE	TYPE	SIZE			
MIZZEN ROYAL MAST AND YARD										
YARD ROPE	$\frac{13}{16}$	$2\frac{1}{2}$	1	7	S	GALV IRON IRON BUSH	$4\frac{1}{4} \times 1 \times \frac{1}{2}$	3-S	HOOK	
BRACES	$\frac{10}{16}$	$1\frac{3}{4}$	2	5	S	"	$3 \times \frac{3}{4} \times \frac{3}{8}$	2-S		
LIFTS	$\frac{10}{16}$	2	2	6	S	"	$3\frac{1}{2} \times 1 \times \frac{1}{2}$	NO STRAP		SCORED FOR $2\frac{1}{2}$ ROPE
CLEW LINES	$\frac{10}{16}$	$1\frac{3}{4}$	2	5	S	"	$3 \times \frac{3}{4} \times \frac{3}{8}$	2-S		
SHEETS	$\frac{3}{4}$	$2\frac{1}{4}$	2	6	S	"	$3\frac{1}{2} \times 1 \times \frac{1}{2}$	$2\frac{1}{2}$ -S	HOOK	
MIZZEN TOPGALLANT STAYSAIL										
13 HANKS FOR $3\frac{1}{2}$ " STAY - ASH OR OAK										
HALLIARDS	$\frac{3}{4}$	$2\frac{1}{4}$	2	6	S	GALV IRON IRON BUSH	$3\frac{1}{2} \times 1 \times \frac{1}{2}$	$2\frac{1}{4}$ -S	HOOK	
TACKS	$\frac{10}{16}$	$1\frac{3}{4}$	1	5	S	"	$3 \times \frac{3}{4} \times \frac{3}{8}$	"	"	
DOWNHAUL	$\frac{10}{16}$	$1\frac{3}{4}$	1	5	S	"	" " "	"	"	
SHEETS	$\frac{3}{4}$	$2\frac{1}{4}$	2	6	CLUMP	"	$3\frac{1}{2} \times 1 \times \frac{1}{2}$	$2\frac{1}{2}$ -S	"	
MIZZEN TOPMAST STAYSAIL										
14 HANKS FOR $5\frac{1}{2}$ " STAY - ASH OR OAK										
HALLIARDS	$\frac{13}{16}$	$2\frac{1}{2}$	2	7	S	GALV IRON IRON BUSH	$4\frac{1}{4} \times 1 \times \frac{1}{2}$	3-S	HOOK	
TACKS	$\frac{3}{4}$	$2\frac{1}{4}$	1	6	S	"	$3\frac{1}{2} \times 1 \times \frac{1}{2}$	$2\frac{1}{2}$ -S	"	
DOWNHAUL	$\frac{3}{4}$	$2\frac{1}{4}$	1	6	S	"	" " "	"	"	
SHEETS	$\frac{13}{16}$	$2\frac{1}{2}$	2	7	S	"	$4\frac{1}{4} \times 1 \times \frac{1}{2}$	"	"	
"	$\frac{13}{16}$	$2\frac{1}{2}$	2	7	CLUMP	"	$4\frac{1}{4} \times 1 \times \frac{1}{2}$	"	"	
MIZZEN GAFF TOPSAIL										
25 HANKS FOR 6' STAY - ASH OR OAK										
HALLIARDS	$\frac{7}{8}$	$2\frac{3}{4}$	2	8	S	GALV IRON IRON BUSH	$4\frac{3}{4} \times 1\frac{1}{8} \times \frac{5}{8}$	3-S	HOOK	
"	$\frac{7}{8}$	$2\frac{3}{4}$	1	8	S	"	" " "	"	" BECKET	
TACKS	$\frac{13}{16}$	$2\frac{1}{2}$	1	7	S	"	$4\frac{1}{4} \times 1 \times \frac{1}{2}$	"	"	
SHEETS	$\frac{1}{16}$	$3\frac{1}{4}$	1	10	CLUMP	"	$6 \times 1\frac{1}{2} \times \frac{5}{8}$	4-S	HOOK	
"	$\frac{1}{16}$	$3\frac{1}{4}$	1	10	S	"	$6\frac{1}{4} \times 1\frac{1}{4} \times \frac{5}{8}$	3-S	BECKET	
"	$\frac{1}{16}$	$3\frac{1}{4}$	1	10	D	"	" " "	$3\frac{1}{4}$ -S	"	
CLEWLINE	$\frac{13}{16}$	$2\frac{1}{2}$	1	7	S	"	$4\frac{1}{4} \times 1\frac{1}{8} \times \frac{1}{2}$	3-S	HOOK	
BRAILS	$\frac{7}{8}$	$2\frac{3}{4}$	8	8	S	"	$4\frac{3}{4} \times 1\frac{1}{8} \times \frac{5}{8}$	"	"	
U.S FRIGATE CONSTITUTION-BLOCK LIST PLAN No 30359 SHEET No 10										

NAME OF BLOCK	RIGGING		BLOCK			SHEAVE		SIZE OF ROPE STRAP INS CIRCUM	FITTINGS	REMARKS
	DIA	CIRCUM	NO REQ	LENGTH OF SHELL	TYPE	TYPE	SIZE			
SPANKER BOOM										
TOPPING LIFTS	1/16	3 1/4	2	10	S	GALV IRON IRON BUSH	6 1/4 x 1 1/4 x 5/8	4 1/2-S	HOOK	
" " FALLS	7/8	2 3/4	2	8	S	LIGNUM IRON BUSH	4 3/4 x 1 1/8 x 5/8	3-S	BECKET	
" " "	7/8	2 3/4	2	8	D	"	" " "	3 1/2-S		
SHEETS	1/4	3 3/4	1	12	CLUMP	"	7 x 1 3/4 x 3/4	4 1/2-S	HOOK	
"	1/4	3 3/4	1	12	D	"	8 x 1 3/8 x 3/4	"		
PEAK HALLIARDS	1/16	3 1/4	3	10	S	"	6 1/4 x 1 1/4 x 5/8	3 1/4-S	HOOK- ONE BLOCK	
" "	1/16	3 1/4	1	10	D	"	" " "	4-S		
THROAT "	1/16	3 1/4	1	10	S	"	" " "	3 1/4-S	HOOK	
" "	1/16	3 1/4	2	10	D	"	" " "	4 1/4-S	HOOK- BECKET	
BRAILS	7/8	2 3/4	8	8	S	"	4 3/4 x 1 1/8 x 5/8	3-S		
"	7/8	2 3/4	4	8	D	"	" " "	3 1/2-S	HOOK	
HEAD OUTHAUL	1/16	3 1/4	2	10	S	"	6 1/4 x 1 1/4 x 5/8	4-S	"	
" WHIP	3/4	2 1/4	1	7	S	"	4 1/4 x 1 x 1/2	3 1/2-S	"	
VANGS	3/4	2 1/4	2	6	S	"	3 1/2 x 1 x 1/2	2 1/2-S	BECKET	
"	3/4	2 1/4	2	6	D	"	" " "	3-S		
CRUTCH TACKLE	1	3	2	8	D	"	4 3/4 x 1 1/8 x 5/8	5-S	HOOK- BECKET	
" "	1	3	2	8	D	"	" " "	"		
PENDANT TACKLE	7/8	2 3/4	2	8	D	"	" " "	"	HOOK- BECKET	
" "	7/8	2 3/4	2	8	D	"	" " "	"		
RINGTAIL INHAUL	3/4	2 1/4	1	6	S	GALV. IRON IRON BUSH	3 1/2 x 1 x 1/2	2 1/2-S	HOOK	
" OUTHAUL	3/4	2 1/4	1	6	S	"	" " "	"	"	
" SHEET	7/8	2 3/4	1	8	S	"	4 3/4 x 1 1/8 x 5/8	3-S		
" TACK	3/4	2 1/4	1	7	S	"	4 1/4 x 1 x 1/2	"		
" DOWNHAUL	3/4	2 1/4	1	7	S	"	" " "	"		
" HALLIARDS	3/4	2 1/4	1	7	CLUMP	"	4 1/4 x 1 1/8 x 1/2	"		
" "	3/4	2 1/4	1	7	S	"	4 1/4 x 1 x 1/2	"		
CLEWLINE	1	3	1	8	S	"	4 3/4 x 1 1/8 x 5/8	"	HOOK	
MISCELLANEOUS BLOCKS										
CAT FALLS	1 5/8	5	2	16	T	GALV IRON IRON BUSH	10 x 2 1/4 x 1 1/4			IRON STRAPPED WITH HOOK TO TAKE ANCHOR RING
FISH TACKLE	1 5/16	4	2	18	T	"	12 x 2 x 1 1/4			IRON STRAPPED WITH HOOK TO TAKE CROWN OF ANCHOR
" "	1 5/16	4	2	18	T	"	" " "		BECKET	IRON STRAPPED
LUFF TACKLE- SHROUDS	1/8	3 1/2	16	10	S	"	6 1/4 x 1 1/4 x 5/8	4 1/2-S	HOOK- BECKET	
" " "	1/8	3 1/2	16	10	D	"	" " "	5-S	"	
" " STAYS	1 5/16	4	4	12	S	"	8 x 1 3/8 x 3/4	"	" BECKET	
" " "	1 5/16	4	4	12	D	"	" " "	5 1/2-S	"	
HAMMOCK GIRTLINES	3/4	2 3/4	2	8	S	"	4 3/4 x 1 1/8 x 5/8	3-S	" BECKET	
RELIEVING TACKLES	3/4	2 3/4	2	8	D	"	4 3/4 x 1 1/8 x 5/8	3 1/2-S	HOOK	
" "	3/4	2 3/4	2	8	D	"	" " "	"	" BECKET	
YARD WHIPS	3/4	2 3/4	4	8	S	"	" " "	"	"	
STERN DAVIT FALLS	1	3	2	10	D	LIGNUM IRON BUSH	6 1/4 x 1 1/4 x 5/8	4-S	"	
FORE YARD TACKLE	1 5/16	4	1	12	D	"	8 x 1 3/8 x 3/4	6-S	" BECKET	
" " "	1 5/16	4	1	12	D	"	" " "	"	"	
" STAY "	1 5/16	4	1	12	D	"	" " "	"	" BECKET	
" " "	1 5/16	4	1	12	D	"	" " "	"	"	
MAIN YARD "	1 5/16	4	1	12	D	"	" " "	"	" BECKET	
" " "	1 5/16	4	1	12	D	"	" " "	"	"	
" STAY "	1 5/16	4	1	12	D	"	" " "	"	" BECKET	
" " "	1 5/16	4	1	12	D	"	" " "	"	"	
U.S. FRIGATE CONSTITUTION-BLOCK LIST PLAN N ^o 30359- SHEET N ^o 11										
C. S. ADAMS SUPERVISING DRAFTS, 1929										

NAME OF BLOCK	RIGGING		BLOCK			SHEAVE		SIZE OF ROPE STRAP INS CIRCUM	FITTINGS	REMARKS
	DIA	CIRCUM	NO REQ	LENGTH OF SHELL	TYPE	TYPE	SIZE			
MISCELLANEOUS BLOCKS (CONT.)										
STOCK + BILL TACKLE	1	3	2	10	S	LIGNUM IRON BUSH	6 1/4 x 1 1/4 x 5/8	3 1/2-S	HOOK - BECKET	
" " "	1	3	2	10	D	"	"	4-S	"	
PREVENTER BRACES LOWER YARDS	1	3	12	8	S	"	4 3/4 x 1 1/8 x 5/8	"	"	
PREVENTER BRACES TOPSAIL YARDS	1	3	10	8	S	"	"	"	"	
MAST JIGGERS	3/4	2 1/4	6	6	S	"	3 1/2 x 1 x 1/2	2 1/2-S	HOOK - BECKET	
" " "	3/4	2 1/4	6	6	D	"	"	2 3/4-S	"	
WATER WHIPS - HEAVY	1 1/8	3 1/2	2	10	S	"	6 1/4 x 1 1/4 x 5/8	4-S	HOOK - BECKET	
" " "	1 1/8	3 1/2	2	10	D	"	"	5-S	"	
" " LIGHT	1 3/16	2 1/2	2	7	S	"	4 1/4 x 1 x 1/2	3-S	" BECKET	
" " "	1 3/16	2 1/2	2	7	D	"	"	3 1/2-S	"	
CLOTHES LINE SHORT	7/8	2 3/4	4	8	S	"	4 3/4 x 1 1/8 x 5/8	3-S	"	
DECK TACKLE	1 1/8	3 1/2	2	10	D	"	6 1/4 x 1 1/4 x 5/8	5-S	" BECKET	
" " "	1 1/8	3 1/2	2	10	D	"	"	"	"	
THWARTSHIP TACKLE	7/8	2 3/4	4	8	D	"	4 3/4 x 1 1/8 x 5/8	4-S	" BECKET	
" " "	7/8	2 3/4	4	8	D	"	"	"	"	
WINDSAIL HALLIARDS	1 1/8	2	2	6	S	"	3 1/2 x 1 x 1/2	2 1/2-S	"	
SEA CLOTHES LINE	7/8	2 3/4	10	8	S	"	4 3/4 x 1 1/8 x 5/8	3-S	"	
FORECASTLE JIGGERS	7/8	2 3/4	6	8	S	"	"	"	HOOK - BECKET	
" " "	7/8	2 3/4	6	8	D	"	"	3 1/2-S	"	
MAIN BRACE	5/8	2	2	6	S	"	3 1/2 x 1 x 1/2	2-S	HOOK - BECKET	
" " "	5/8	2	2	6	D	"	"	2 1/2-S	"	
FORE HATCH	1 3/16	2 1/2	1	7	S	"	4 1/4 x 1 x 1/2	3-S	" BECKET	
" " "	1 3/16	2 1/2	1	7	D	"	"	3 1/2-S	"	
FORE TOPMAST ROPE	2	6	3	16	S	GALV IRON IRON BUSH	11 x 2 1/4 x 1			USE EXISTING BLOCKS FROM 1906 RESTORATION
MAIN " "	2	6	3	16	S	"	"			" " " " " " " "
MIZZEN " "	1 3/4	5 1/2	1	16	S	"	"			" " " " " " " "
DASHER BLOCK			1		D					FOR SIGNAL HALLIARDS - EXISTING - METAL
SIGNAL HALLIARD BLOCKS			4		S					
GUN OUTHAUL TACKLE	1 3/16	2 1/2	60	8	S	LIGNUM IRON BUSH	4 1/4 x 1 x 1/2	3-S	HOOK - BECKET	GUN DECK BATTERY
" " "	1 3/16	2 1/2	60	8	D	"	"	"	"	
" INHAUL "	1 3/16	2 1/2	30	8	S	"	"	"	" BECKET	
" " "	1 3/16	2 1/2	30	8	D	"	"	"	"	
SIDE LEADERS			10	6	S	LIGNUM IRON BUSH	3 1/2 x 1 x 1/2	2 1/4-S	HOOK	DELIVERED TO SHIP - NOT INSTALLED
" " "			12	7	S	"	4 1/4 x 1 x 1/2	2 3/4-S	"	
" " "			41	9	S	"	5 1/2 x 1 1/8 x 5/8	3-S	"	
" " "			20	10	S	"	6 1/4 x 1 1/4 x 5/8	3 3/4-S	"	
" " "			5	12	S	"	8 x 1 3/8 x 3/4	4 1/2-S	"	
SNATCH BLOCKS			4			LIGNUM IRON BUSH	9 x 2 5/8 x 1			FOR 6" ROPE
" " "			4			"	6 x 1 1/2 x 3/4			4 "
DOUBLE FAIRLEADS			24						LIGNUMVITAE	TO FIT SHROUDS
SINGLE " "			12						"	"
TREBLE			6						"	"
LIGHTNING CONDUCTOR FAIRLEADS			70						"	ON FORE, MAIN AND MIZZEN ROYAL BACKSTAYS
GUN OUTHAUL TACKLE	3/4	2 1/4	44	7	S	LIGNUM IRON BUSH	4 1/4 x 1 x 1/2	3-S	HOOK - BECKET	SPAR DECK BATTERY
" " "	3/4	2 1/4	44	7	D	"	"	"	HOOK	
GUN INHAUL TACKLE	3/4	2 1/4	22	7	S	"	"	"	" BECKET	
" " "	3/4	2 1/4	22	7	D	"	"	"	"	
SIDE TRAINING TACKLE	3/4	2 1/4	40	7	S	"	"	"	" BECKET	
" " "	3/4	2 1/4	40	7	D	"	"	"	"	
QUARTER BOAT DAVITS	1	3	16	8	S	GALV IRON MET BUSH	4 3/4 x 1 1/8 x 5/8	3 1/2-S	8-BECKET AND HOOK	FOR GUYS AND ATHWARTSHIP TACKLE
" " "	1 1/2	4 1/2	2	14	CLUMP	GALV IRON IRON BUSH	8 x 2 1/8 x 7/8	5-S	8-HOOK	TOPPING LIFTS
BOAT ROOM GUYS	1	3	6	8	S	GALV IRON MET BUSH	4 3/4 x 1 1/8 x 5/8	3-S	4-HOOK	U.S. FRIGATE CONSTITUTION - BLOCK LIST PLAN No 30359 SHEET No 12
BOOM TOP LIFT	1 5/8	5	2	13	S	"	8 1/2 x 2 x 1 3/8	4 1/2-S	2 - BECKET	

U.S. FRIGATE CONSTITUTION - RESTORATION 1927

BLOCK LIST - SUMMARY OF ROPE STRAPPED BLOCKS (REGULAR)

TOTAL NUMBER EACH SIZE	SIZE LENGTH OF SHELL IN'S	SINGLE BLOCKS NUMBER REQUIRED			DOUBLE BLOCKS NUMBER REQUIRED			TREBLE BLOCKS NUMBER REQUIRED			SHEAVES	
		PLAIN	SCORED FOR BECKET	WIDTH OF SCORE FOR ROPE STRAP SIN OR DB	PLAIN	SCORED FOR BECKET	WIDTH OF SCORE FOR ROPE STRAP SIN OR DB	PLAIN	SCORED FOR BECKET	WIDTH OF SCORE FOR ROPE STRAP SIN OR DB	SIZE INCHES	TYPE
6	5	6		$\frac{3}{4}$ -S							$3 \times \frac{3}{4} \times \frac{3}{8}$	GALV IRON IRON BUSH
93	6	35	8	$\frac{3}{4}$ -S	18		$\frac{3}{4}$ -S				$3\frac{1}{2} \times 1 \times \frac{1}{2}$	GALV IRON IRON BUSH
		12	10	$\frac{3}{4}$ -S	10		$\frac{3}{4}$ -S				" " "	LIGNUM IRON BUSH
338	7	66	13	$\frac{7}{8}$ -S	22		$\frac{7}{8}$ -S				$4\frac{1}{4} \times 1 \times \frac{1}{2}$	GALV IRON IRON BUSH
		12	113	$\frac{7}{8}$ -S	112		$\frac{7}{8}$ -S				" " "	LIGNUM IRON BUSH
495	8	104	45	1-S	52	6	1-S				$4\frac{3}{4} \times 1\frac{1}{8} \times \frac{1}{2}$	GALV IRON IRON BUSH
		60	106	1-S	114	8	1-S				" " "	LIGNUM IRON BUSH
45	9	4		$\frac{1}{8}$ -S							$5\frac{1}{2} \times \frac{1}{8} \times \frac{5}{8}$	GALV IRON IRON BUSH
		41		$\frac{1}{8}$ -S							" " "	LIGNUM IRON BUSH
173	10	49	19	$\frac{1}{4}$ -S	32	4	$\frac{1}{4}$ -S				$6\frac{1}{4} \times \frac{1}{4} \times \frac{5}{8}$	GALV IRON IRON BUSH
		4		$\frac{1}{4}$ -D	4		$\frac{1}{4}$ -D				" " "	" "
		34	4	$\frac{1}{4}$ -S	15	4	$\frac{1}{4}$ -S	4		$\frac{1}{2}$ -S	" " "	LIGNUM IRON BUSH
66	12	1	4	$\frac{1}{2}$ -S	16		$\frac{1}{2}$ -S	3	1	$\frac{1}{4}$ -D	$8 \times 1\frac{3}{8} \times \frac{3}{4}$	GALV IRON IRON BUSH
		6		$\frac{1}{4}$ -D		2	2-S				" " "	" "
		7		$\frac{1}{2}$ -S	6	4	$\frac{1}{2}$ -S	6		$\frac{1}{2}$ -S	" " "	LIGNUM IRON BUSH
					8		2-S	2		$\frac{1}{4}$ -D	" " "	" "
									FOLD			
49	14	12	4	$\frac{3}{4}$ -S	4		$\frac{3}{4}$ -S	4		$\frac{1}{2}$ -D	$9\frac{1}{2} \times 1\frac{5}{8} \times \frac{7}{8}$	GALV IRON IRON BUSH
		7		$\frac{1}{2}$ -D		4	$2\frac{3}{4}$ -S				" " "	" "
		2	2	$\frac{3}{4}$ -S	2		$\frac{3}{4}$ -S				$9 \times \frac{1}{4} \times \frac{3}{4}$	" "
		4		$\frac{3}{4}$ -S	4		$\frac{3}{4}$ -S				$9\frac{1}{2} \times 1\frac{5}{8} \times \frac{7}{8}$	LIGNUM IRON BUSH
7	16	3		2-S			2	2	2-D	$11 \times 2\frac{1}{4} \times 1$	GALV IRON IRON BUSH	
3	18	3		$2\frac{1}{4}$ -S						$12 \times 2\frac{5}{8} \times 1\frac{1}{8}$	GALV IRON IRON BUSH	
12	20	4	4	$\frac{3}{4}$ -S	4		$\frac{3}{4}$ -S			$14 \times 2 \times 1\frac{1}{4}$	GALV IRON IRON BUSH	
TOTAL	1287											

NOTE: SEE SHEET NO 15 FOR SHAPE OF REGULAR BLOCKS.

NOTE- BLOCKS LISTED ON THIS SHEET WERE PURCHASED DURING 1927-1931 RESTORATION - ABOUT 65 ADDITIONAL BLOCKS OF VARIOUS SIZES, REMOVED FROM SHIP PRIOR TO DISMANTLING IN 1926, WERE REPAIRED AND USED DURING 1927-1931 RESTORATION

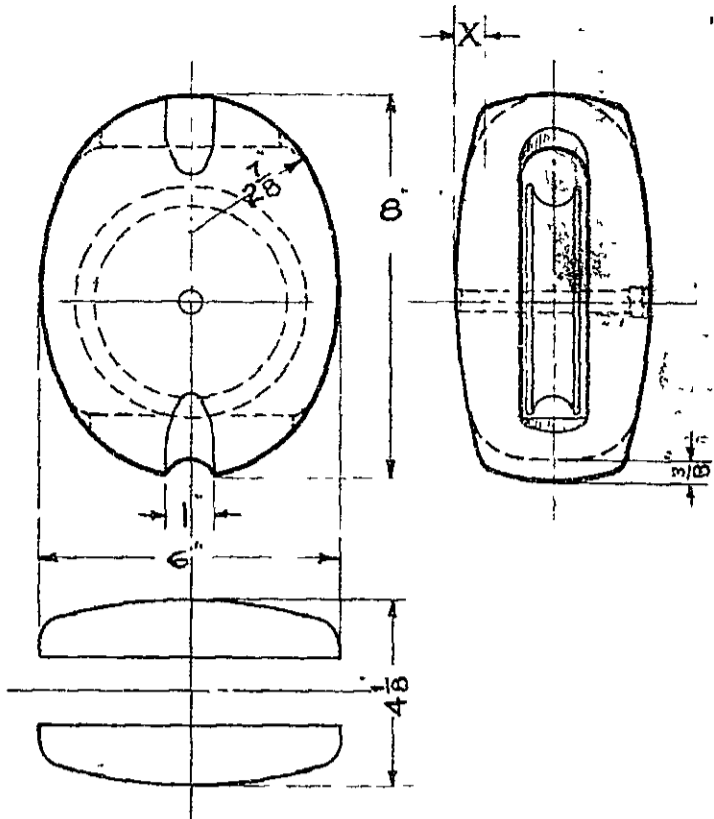
APPROVED - BU. C+R LET #1X21/FS (DD) AUG 22/29

U.S. FRIGATE CONSTITUTION - RESTORATION 1927
BLOCK LIST - SUMMARY OF ROPE STRAPPED BLOCKS (SPECIAL)

NUMBER REQUIRED	SIZE LENGTH OF SHELL INCHES	TYPE	WIDTH OF SCORE FOR ROPE STRAP SIN OR DB INCHES	SHEAVE		SKETCH	REMARKS	NUMBER REQUIRED	SIZE	TYPE	WIDTH OF SCORE FOR ROPE STRAP SIN OR DB INCHES	SHEAVE		SKETCH	REMARKS
				SIZE INCHES	TYPE							SIZE INCHES	TYPE		
CLUMP BLOCKS															
2	6	S	$\frac{3}{4}$ -S	$3\frac{1}{2} \times 1 \times \frac{1}{2}$	GALV IRON IRON BUSH	A SHEET 15	LIGNUM SHELL								
10	7	S	$\frac{7}{8}$ -S	$4\frac{1}{4} \times 1\frac{1}{8} \times \frac{1}{2}$	" "	"	"								
10	8	S	1-S	$4\frac{1}{2} \times 1\frac{3}{8} \times \frac{5}{8}$	" "	"	"								
4	8	S	$\frac{1}{2}$ -S	" " "	LIGNUM IRON BUSH	"	"								
6	9	S	$\frac{1}{8}$ -S	$5 \times 1\frac{3}{8} \times \frac{5}{8}$	GALV IRON IRON BUSH	"	"								
16	10	S	$\frac{1}{4}$ -S	$6 \times 1\frac{1}{2} \times \frac{3}{4}$	" "	"	ASH SHELL								
2	12	S	2-S	$7 \times 1\frac{3}{4} \times \frac{3}{4}$	" "	"	"	CLEW-LINE BLOCKS							
2	12	S	$\frac{1}{2}$ -S	" " "	LIGNUM IRON BUSH	"	"	14	$11\frac{1}{2}$	S	$\frac{1}{4}$ S	$6\frac{1}{4} \times 1\frac{1}{4} \times \frac{5}{8}$	GALV IRON IRON BUSH	D SHEET 16	ASH SHELL
10	14	S	$\frac{3}{4}$ -S	$8 \times 2\frac{1}{8} \times \frac{7}{8}$	GALV IRON IRON BUSH	"	"	6	9	S	1-S	$4\frac{3}{4} \times 1\frac{1}{8} \times \frac{5}{8}$	" "	"	"
8	14	S	$\frac{3}{4}$ -S	" " "	LIGNUM IRON BUSH	"	"								
TOTAL	70							TOTAL	20						
SISTER BLOCKS								FIDDLE BLOCKS							
2	27	S	$\frac{3}{4}$	$8 \times 1\frac{5}{8} \times \frac{3}{4}$	GALV IRON IRON BUSH	"B" SHEET 15	ASH SHELL	2	16	S	$\frac{1}{8}$	$6 \times 1\frac{1}{8} \times \frac{5}{8}$ $4 \times 1\frac{1}{8} \times \frac{5}{8}$	GALV IRON IRON BUSH	C SHEET 15	ASH SHELL
4	30	S	2	$9 \times 2\frac{3}{8} \times 1$	" "	"	"	4	18	S	1	$7 \times 1\frac{1}{4} \times \frac{5}{8}$ $4\frac{1}{2} \times 1\frac{1}{4} \times \frac{5}{8}$	" "	"	"
TOTAL	6							TOTAL	6						
												SHOE BLOCKS			
								4	18		NONE	$5\frac{1}{2} \times 1\frac{1}{4} \times \frac{5}{8}$	GALV IRON IRON BUSH	E SHEET 16	ASH SHELL
IRON STRAPPED BLOCKS															
2	16	T		$10 \times 2\frac{1}{4} \times \frac{1}{4}$	GALV IRON GRAPH BRONZE BUSHED	F SHEET 16	CAT BLOCK WITH HOOK								
2	18	T		$12 \times 2 \times 1\frac{1}{4}$	"	G SHEET 16	FISH TACKLE BLOCK - WITH LARGE HOOK								
2	18	T		$12 \times 2 \times 1\frac{1}{4}$	"	H SHEET 16	FISH TACKLE BLOCK WITHOUT HOOK								
4	16	SNATCH BLOCKS		$6 \times 1\frac{1}{2} \times \frac{3}{4}$	LIGNUM IRON BUSH	J SHEET 15	ASH SHELL								
4	20	"		$9 \times 2\frac{5}{8} \times 1$	"	"	"								
TOTAL	14														

NOTE - BLOCKS LISTED ON THIS SHEET WERE PURCHASED DURING 1927-1931 RESTORATION

APPROVED - BU C+R LET 1X21/FS (CD) AUG. 22/25



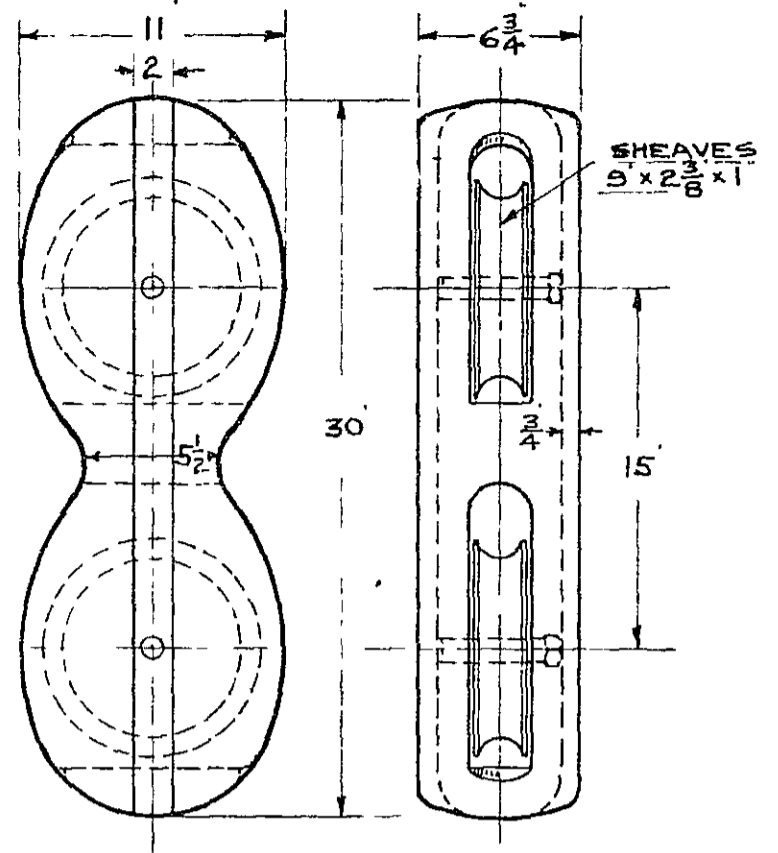
SIZE OF BLOCK	X
5	$\frac{3}{8}$
6	$\frac{7}{16}$
7	$\frac{1}{2}$
8	$\frac{5}{8}$
9	$\frac{7}{16}$
10	$\frac{3}{4}$
12	$\frac{7}{8}$
14	1
16	$\frac{1}{8}$
18	$\frac{1}{4}$
20	$\frac{3}{8}$

REGULAR ROPE STRAPPED BLOCKS

LISTED ON SHEET #13

DRAWN FOR 8" SINGLE BLOCK

SHELLS ASH - SHEAVE PINS NON CORROSIVE STEEL



SISTER BLOCKS

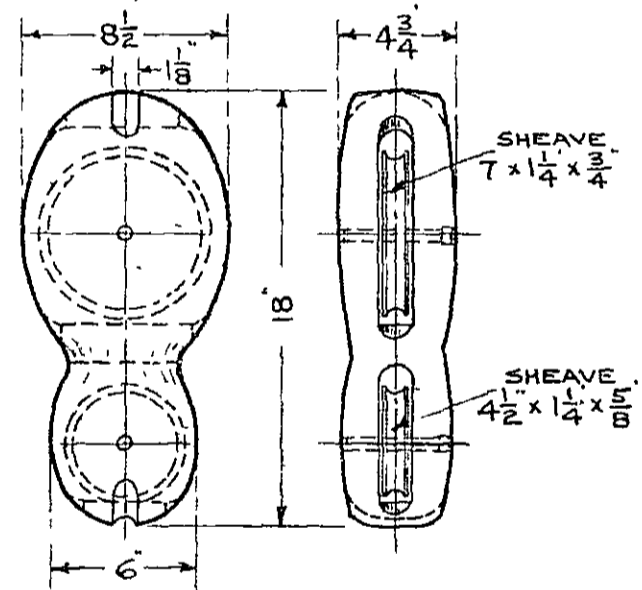
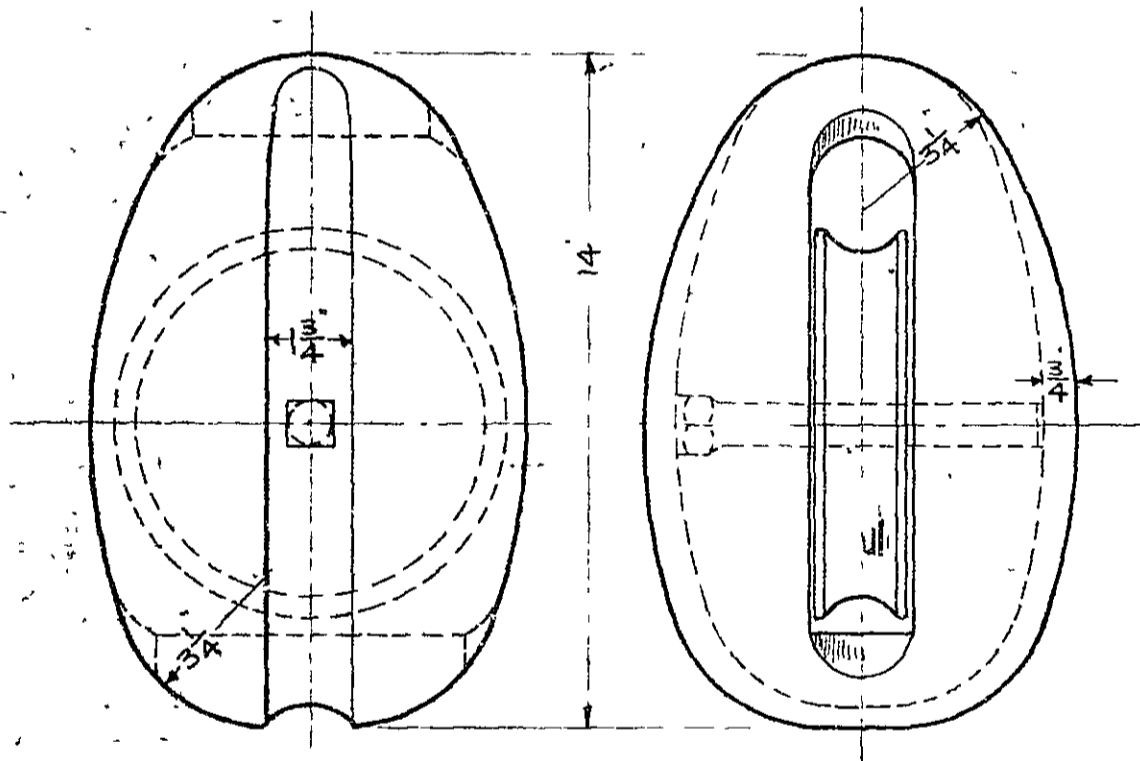
LISTED ON SHEET #14

DRAWN FOR LARGEST SIZE

SHELLS ASH - SHEAVE PINS NON CORROSIVE STEEL

SCALE $\frac{1}{2} = 1$ FT.

"B"



FIDDLE BLOCKS - ROPE STRAPPED

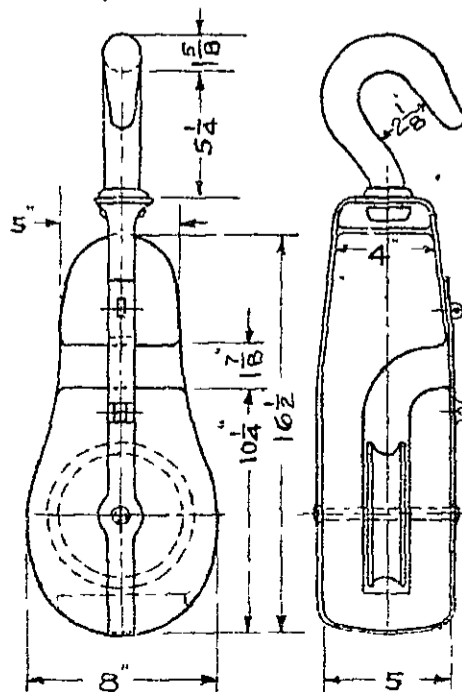
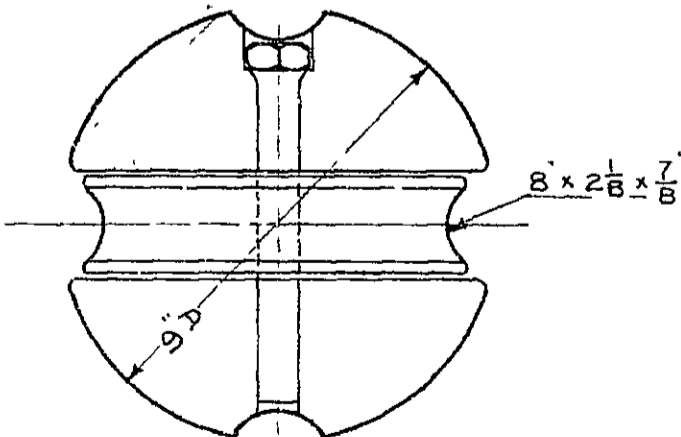
LISTED ON SHEET #14

DRAWN FOR LARGEST SIZE

SHELLS ASH - SHEAVE PINS NON CORROSIVE STEEL

SCALE $\frac{1}{2} = 1$ FT.

"C"



CLUMP BLOCKS - ROPE STRAPPED

LISTED ON SHEET #14

DRAWN FOR 14 CLUMP BLOCK

LIGNUMVITAE SHELLS FOR 6-7-8-9 BLOCKS

ASH SHELLS FOR 10-12-14 BLOCKS

SHEAVE PINS NON CORROSIVE STEEL

SCALE 3 = 1 FT.

"A"

SNATCH BLOCKS

LISTED ON SHEET #14

DRAWN FOR 16" SNATCH BLOCK

SHELLS ASH - SHEAVES LIGNUMVITAE

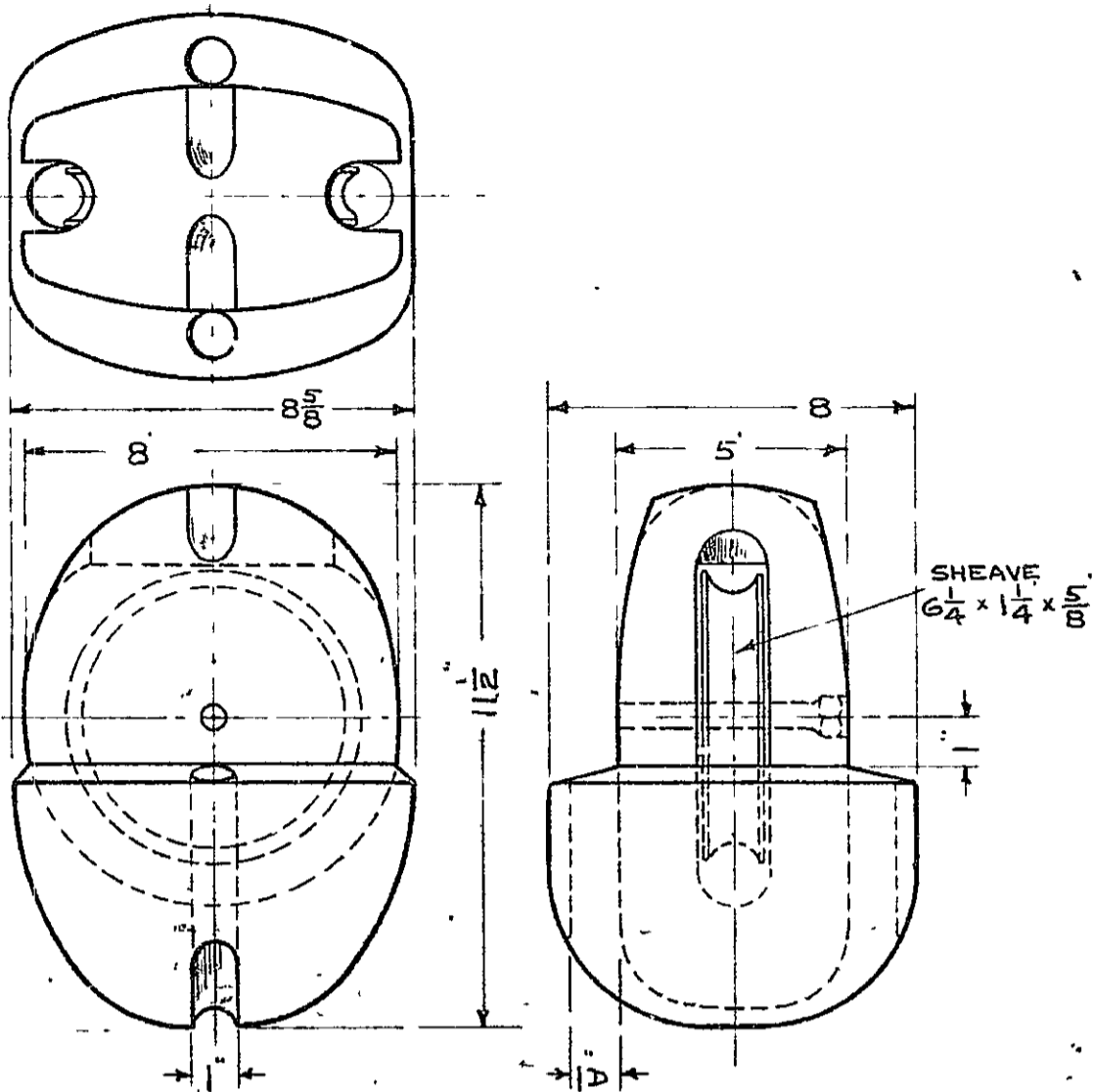
SHEAVE PINS NON CORROSIVE STEEL

SCALE $\frac{1}{2} = 1$ FT.

"J"

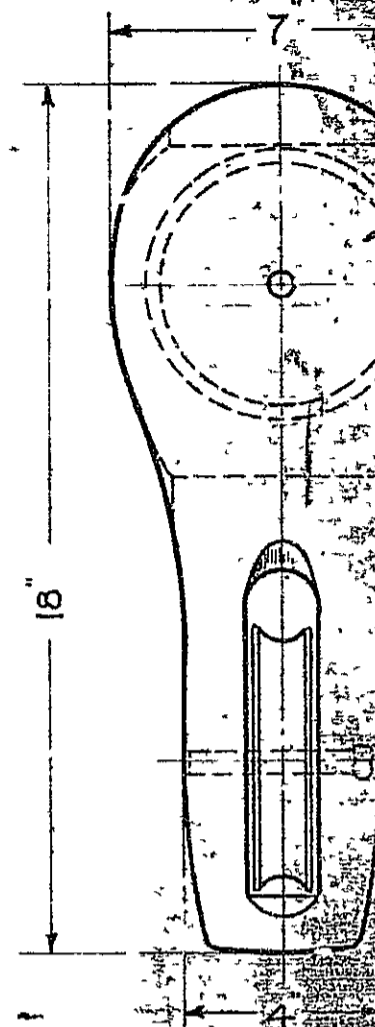
APPROVED - BU C+R LET 1X21 /FS (DD) AUG 22/29

U.S. FRIGATE CONSTITUTION - BLOCK LIST
PLAN NO 30359 SHEET NO 15



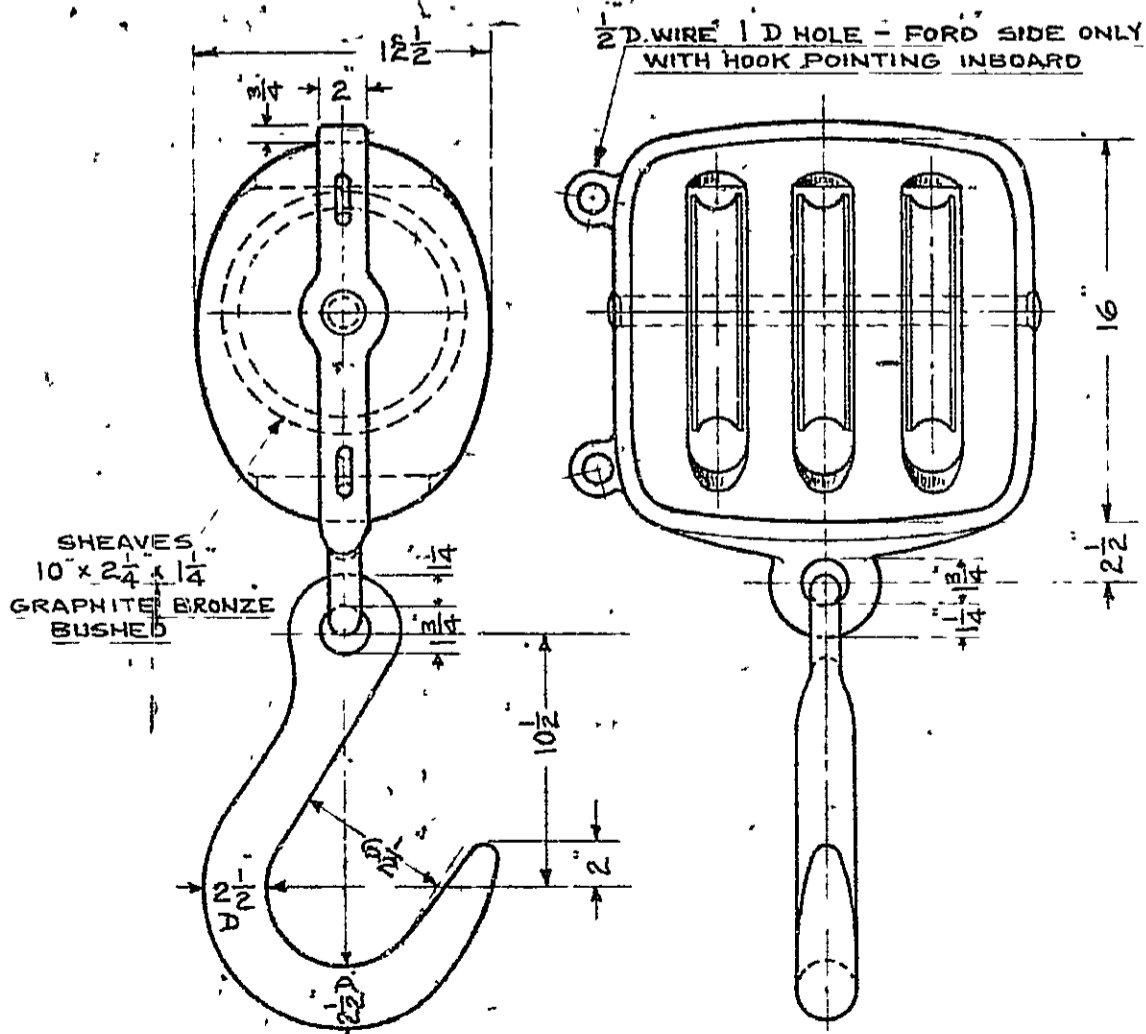
CLEW-LINE BLOCKS - ROPE STRAPPED
 LISTED ON SHEET #14
 DRAWN FOR LARGEST SIZE
 SHELLS ASH - SHEAVE PINS NON CORROSIVE STEEL
 SCALE 3 = 1 FT

D



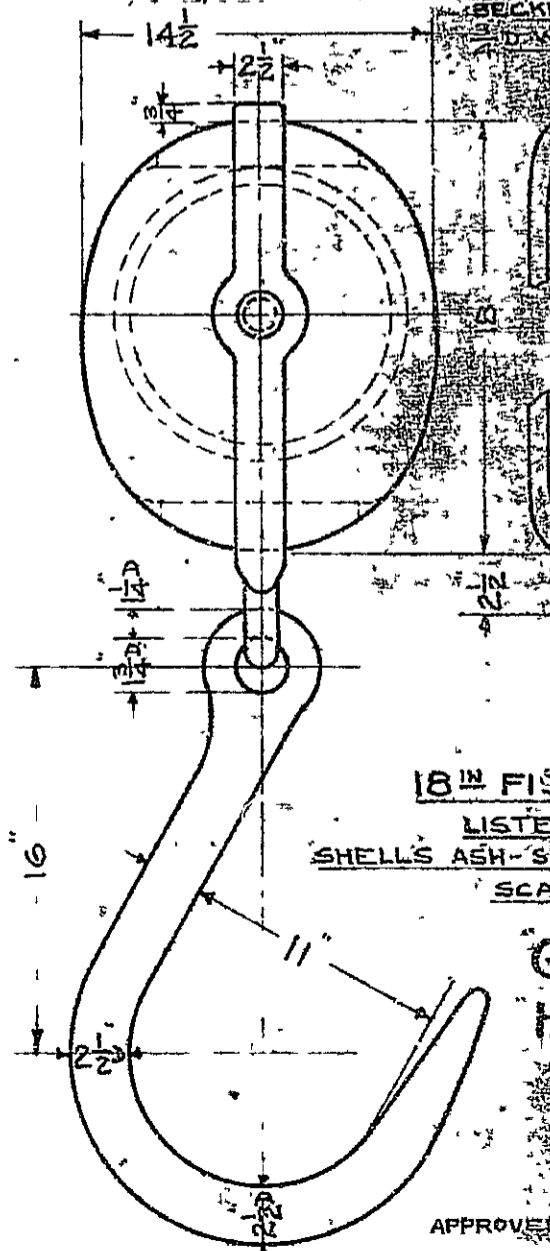
SHOE BLOCK
 LISTED ON SHEET #14
 SHELLS ASH - SHEAVE PINS
 SCALE 3 = 1 FT

E



16 IN CAT BLOCK - IRON STRAPPED
 LISTED ON SHEET #14
 SHELLS ASH - SHEAVE PINS NON CORROSIVE STEEL
 SCALE 1 1/2 = 1 FT.

F



18 IN FIS
 LISTED ON SHEET #14
 SHELLS ASH - SHEAVE PINS
 SCALE 3 = 1 FT

APPROVED