

WEIGHT AND MOMENT FOR MATERIAL SHOWN ON THIS DRAWING (TOTALS BY WEIGHT GROUP)

REV	ZONE	APPROVAL	SIGNATURE	ADDED AT	ISSUE	MATERIAL									
						WEIGHT GROUP	WEIGHT (LBS)	VERTICAL LEVER (FT)	VERTICAL MOMENT (FT LBS)	LONGITUDINAL LEVER (FT)	LONGITUDINAL MOMENT (FT LBS)	TRANSVERSE LEVER (FT)	TRANSVERSE MOMENT (FT LBS)		
A															

GENERAL NOTES

- ALL RIGGING TO BE BLACK POLYPROPYLENE EXCEPT AS NOTED.
- LIFELINES ON DAVIT SPAN ARE EVENLY SPACED AND HELD IN PLACE WITH DIAMOND KNOTS.

REVISIONS

REV	ZONE	APPROVAL	SIGNATURE	ADDED AT	ISSUE	BY	DATE	APPD
A								

FOR LIST OF MATERIAL SEE SHEET NO. 651

"THIS DRAWING WAS DEVELOPED IN ACCORDANCE WITH THE LATEST ISSUES OF THE STANDARDS LISTED IN MIL-D-1000 AND INCLUDES THE STANDARDS DESIGNATED IN THE A-B-C NAVAL TRIPARTITE STANDARDIZATION AGREEMENTS: ONM INSTRUCTIONS 5711.34 OF 20 DECEMBER 1962 AND NAVMAT INSTRUCTIONS 5711.36A OF 14 AUG. 67.

\* DRAWINGS, SO MARKED, ARE AFFECTED BY THIS DRAWING, AND SHIP PLAN INDICES SHOULD SO STATE.

NO.	TITLE	NAVSEA DWG NO.
4	JACOBS LADDERS - NAVY TYPE	805-1111431
3	28 FT GIG WHALEBOAT-GEN ARR & MID SECT	BOSTON 23478
2	STERN DAVIT (1X21)	50567
1	SPAR DECK GEN. ARRGT. (1X21)	BOSTON 24422

REFERENCES

AUTH.	1973 RESTORATION	1X21 U.S.S. CONSTITUTION
SHIP IDENT NO & NAME		
PORTSMOUTH NAVAL SHIPYARD		
BOSTON PLANNING GROUP		
BOSTON, MASS		

EXAMINED

CODE	651 EXT 367
BRANCH HD	Johnson
CHECKED	CLANCY
DRAWN	D.MCGILLICUDDY
APPD FOR DESIGN DIV	8/2/78
AP'D	

BOAT STOWAGE - STERN DAVITS

NO.	RESERVATION	SCALE	SHEET 1 OF 2
H	80060/1X21	601 4651553	A

JOB ORDER NO. 55010

PROJECT 1973 REST.

ISSUES

DATE	REVISION	BY	APPD
7/10/78	A		

NO SEA SYSDM

PORTSMOUTH PH ADELPHIA NO. FOLK CH LESTON LG. G BEACH

NEW ENGLAND HULLERS PT.

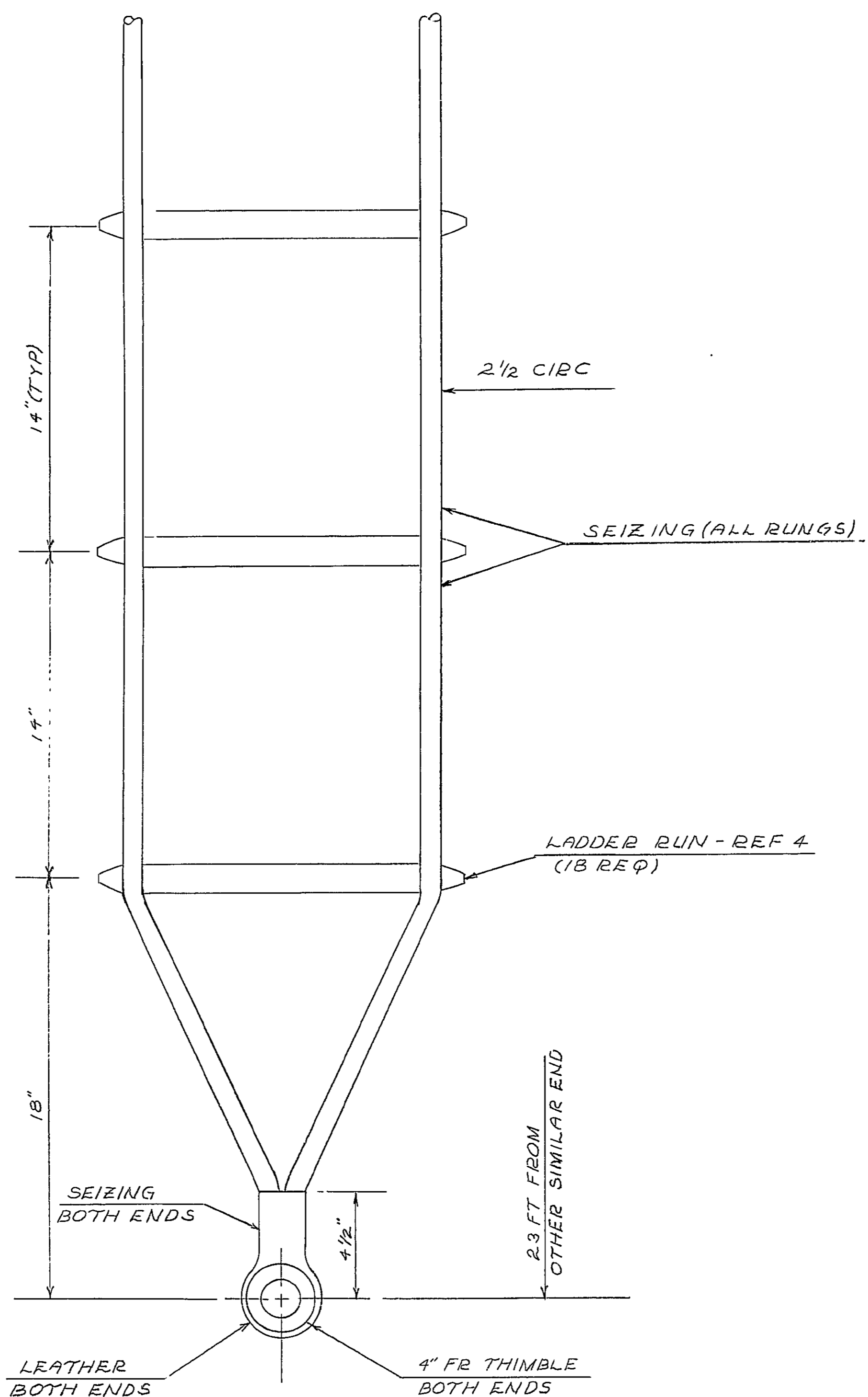
PORTSMOUTH SHIP

SPEC. MECH. ESD GLAKES U.S. NAVY CDL 651

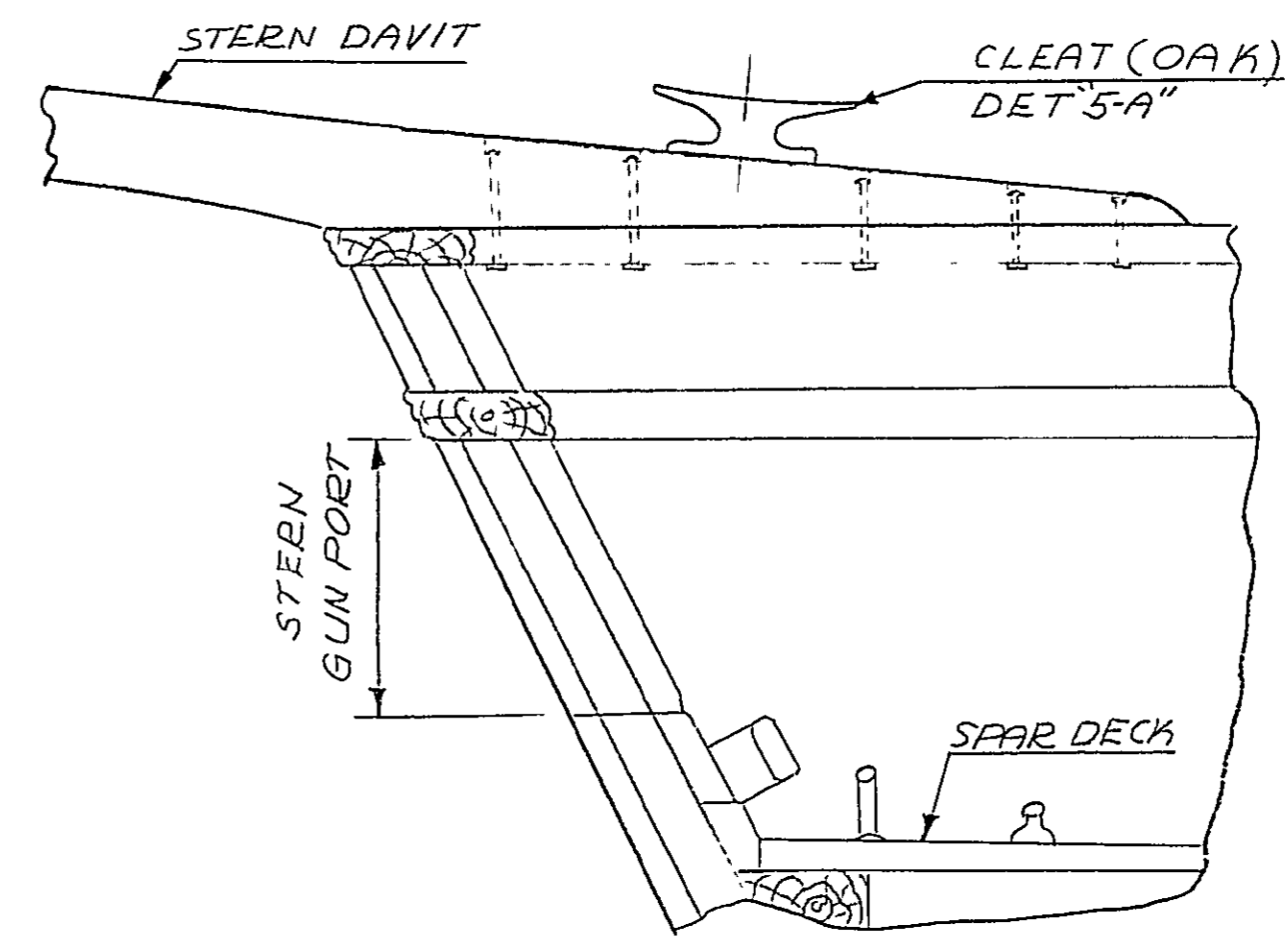
le in conf. (1X21)

MICROFILM

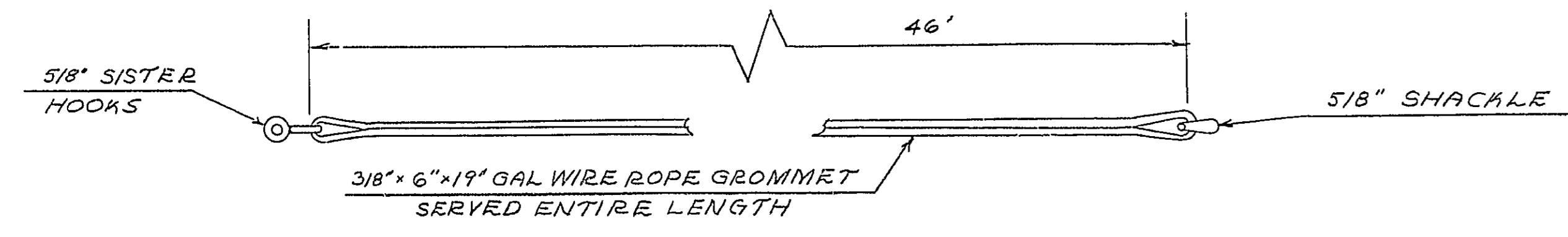




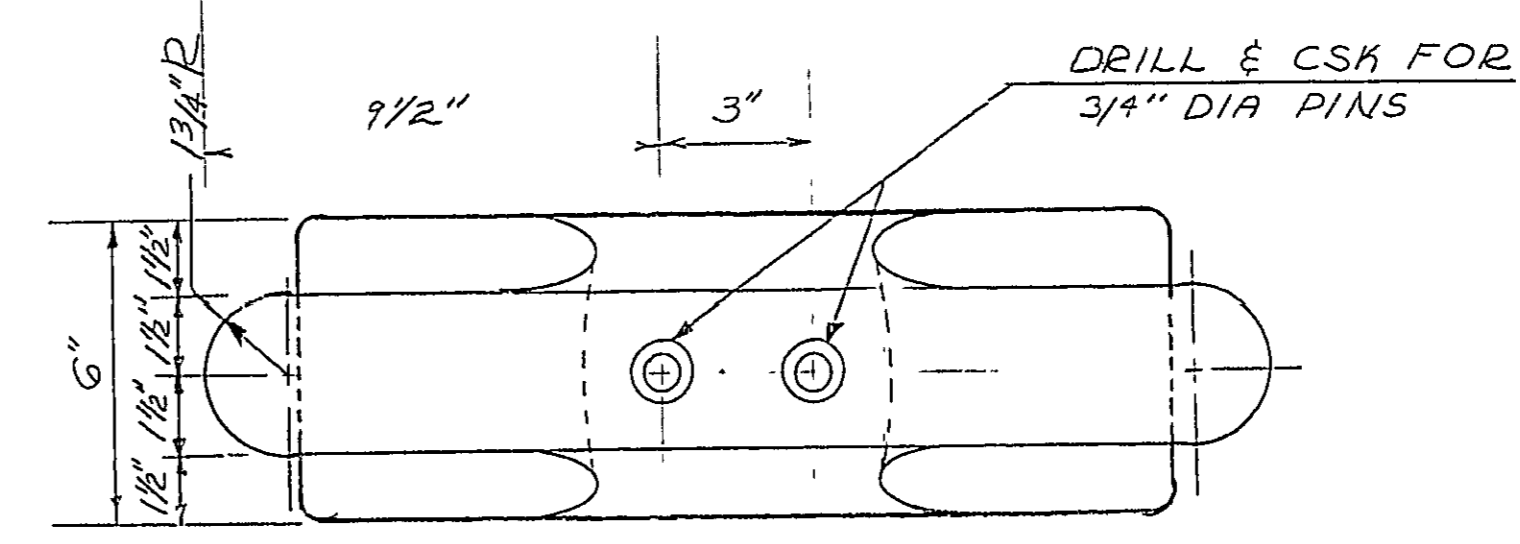
**DET 7-B**  
BOAT LADDER  
2 REQ'D  
3" = 1'-0"



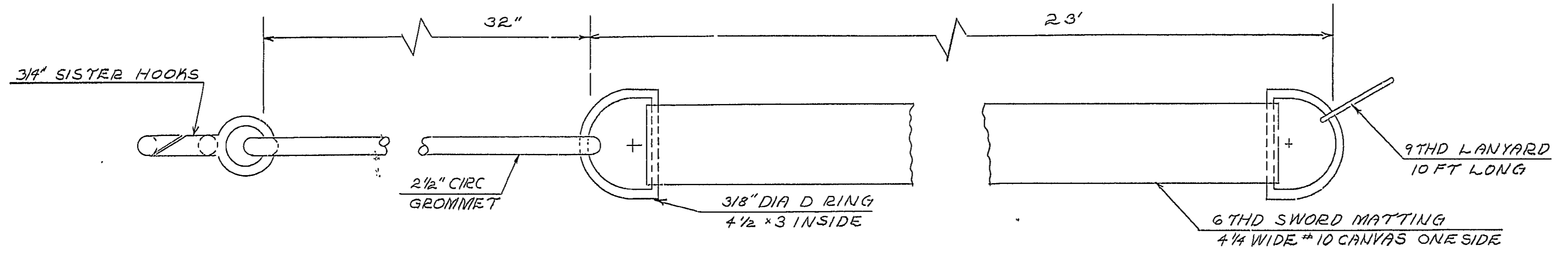
**DET 5-B**  
SECURED DAVIT  
1/2" = 1'-0"



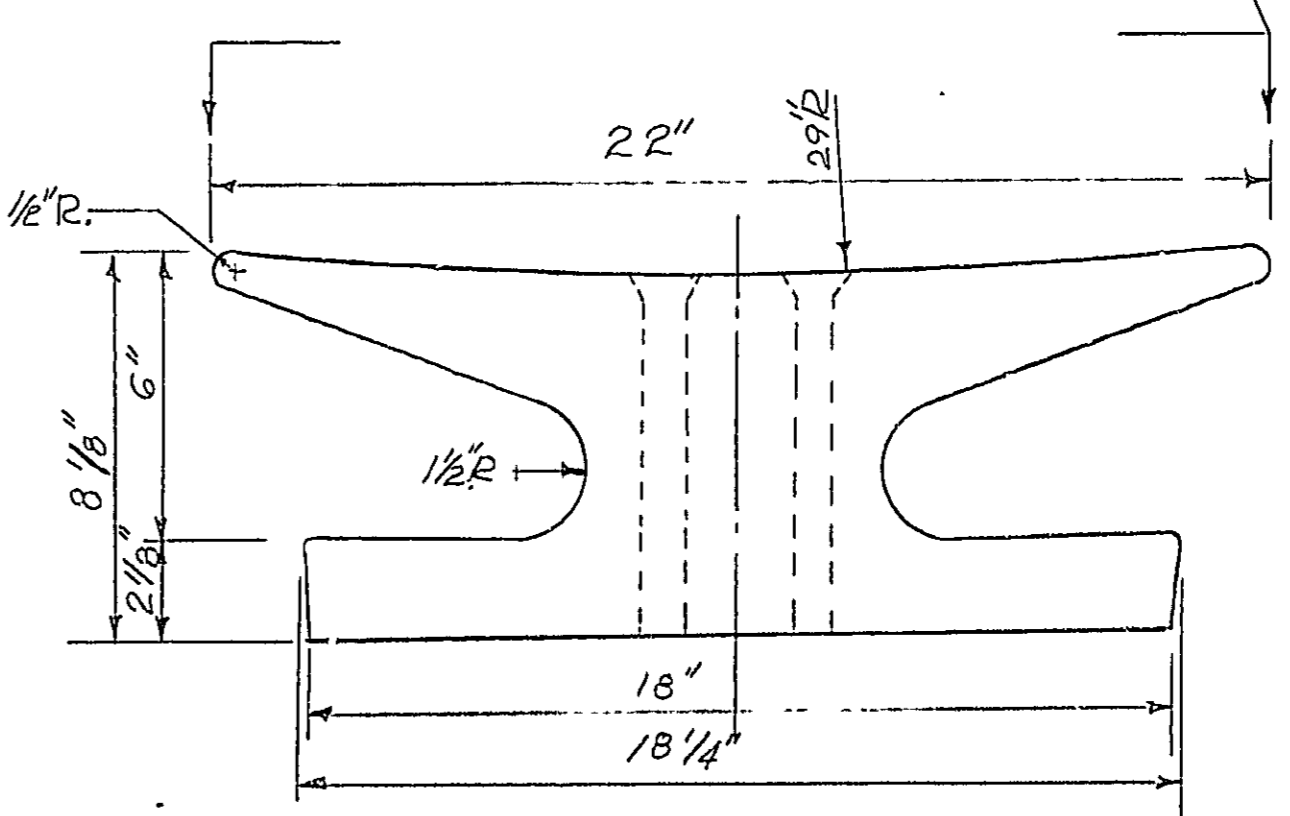
**DET 8-A**  
BOAT PREVENTER  
2 REQ'D  
3" = 1'-0"



**DET 5-A**  
DAVIT CLEAT  
3" = 1'-0"



**DET 7-A**  
BOAT GRIPE  
2 REQ'D  
3" = 1'-0"



**BOAT STOWAGE -  
STERN DAVITS**

SIZE	CODE IDENT. NO.	NAVSHIPS DWG. NO.	REV
H	80060/1X21	601 4651553	A
SCALE: AS NOTED			SHEET 2 OF 2