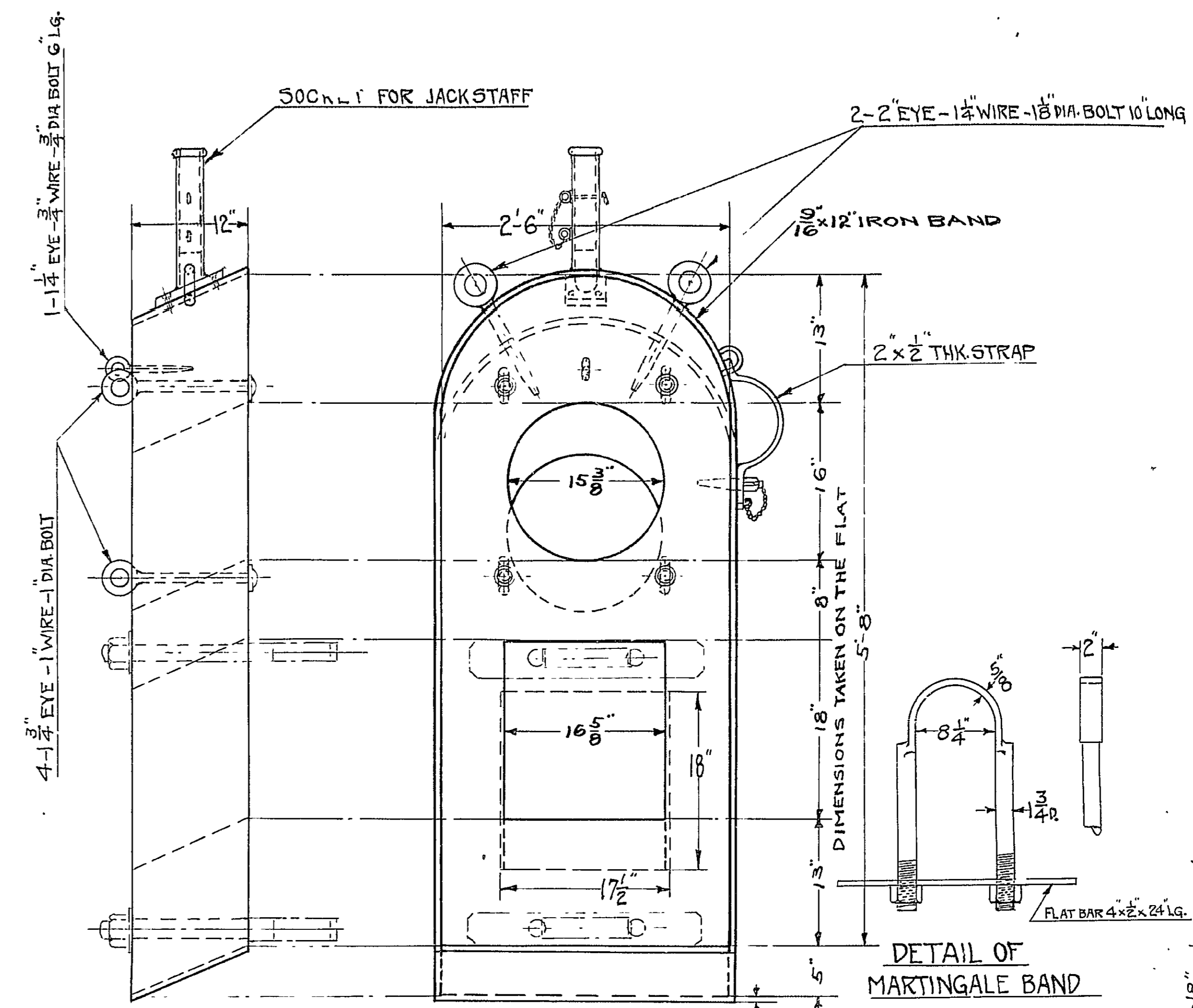
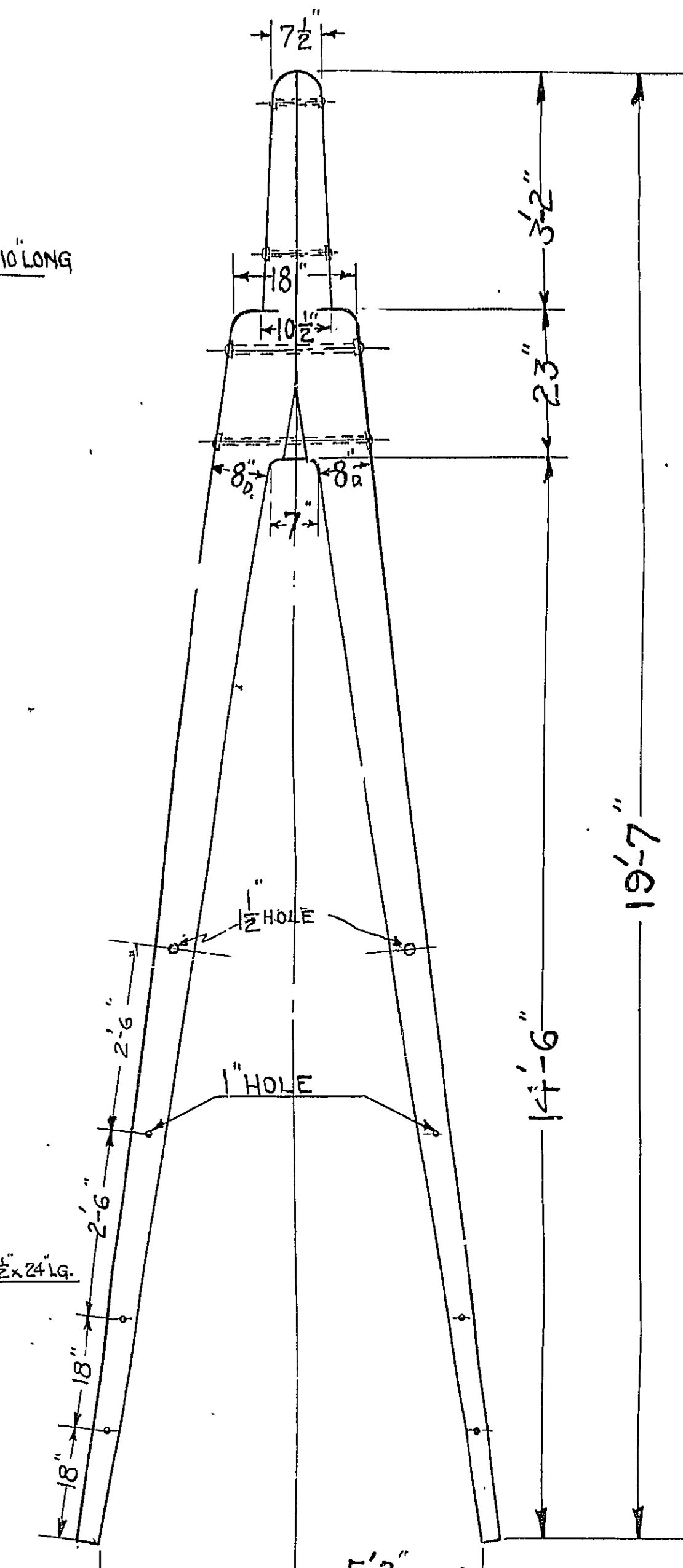


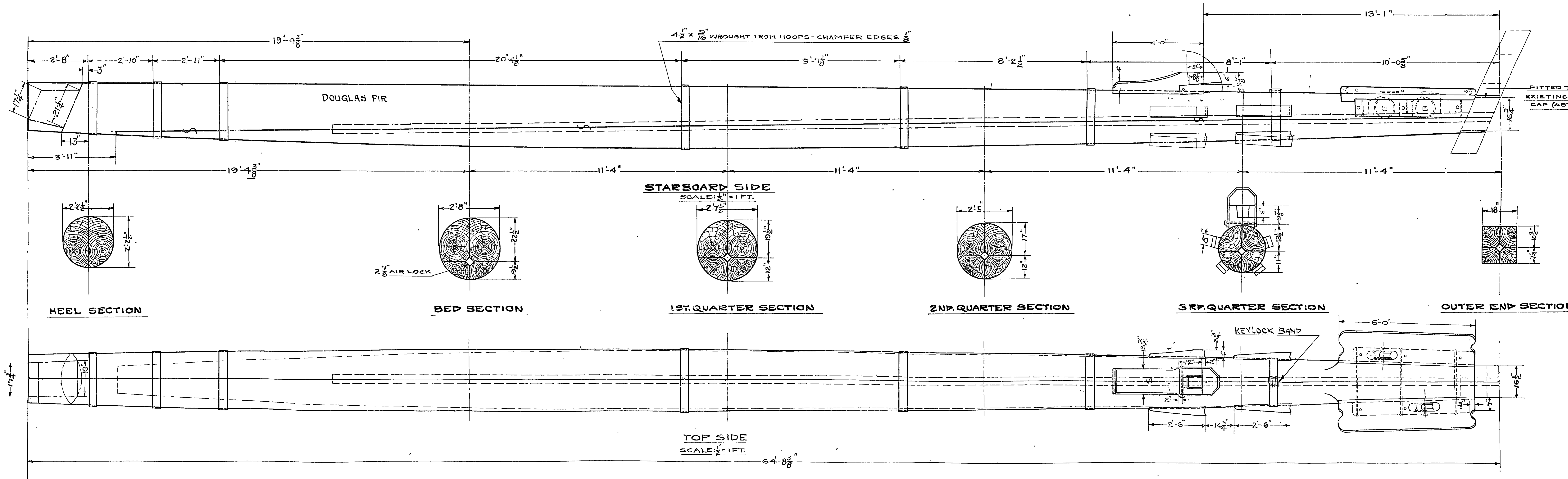
**BOWSPRIT OUTER END SHOWING BEE BLOCKS**  
ELEVATION  
SCALE: 1/2" = 1 FT



**BOWSPRIT CAP**  
WHITE OAK  
SCALE: 1/2" = 1 FT



**DOUBLE MARTINGALE (WHITE OAK)**  
SCALE: 1/2" = 1 FT



**HEEL SECTION**

**BED SECTION**

**STARBOARD SIDE**  
SCALE: 1/2" = 1 FT

**1ST. QUARTER SECTION**

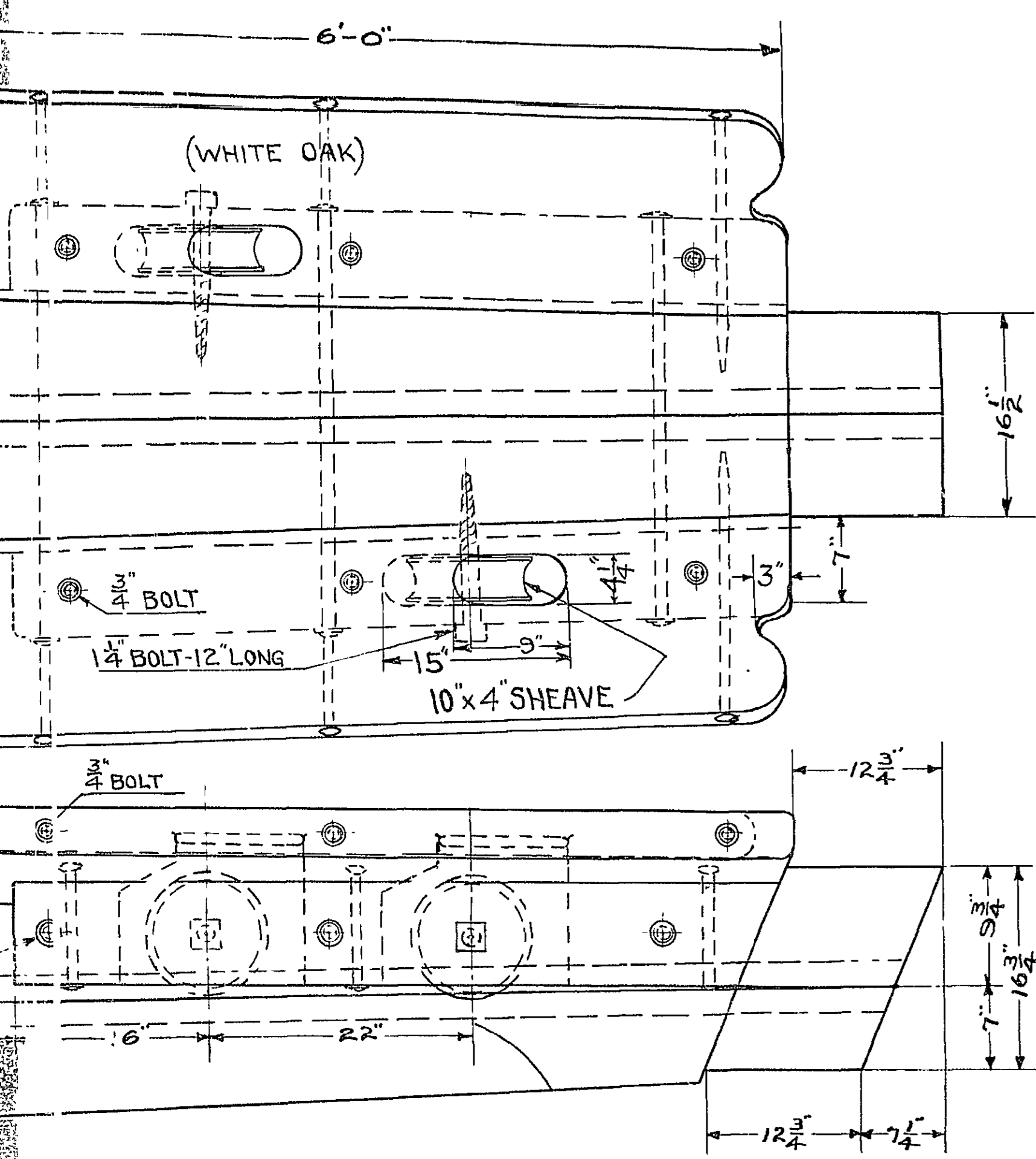
**2ND. QUARTER SECTION**

**3RD. QUARTER SECTION**

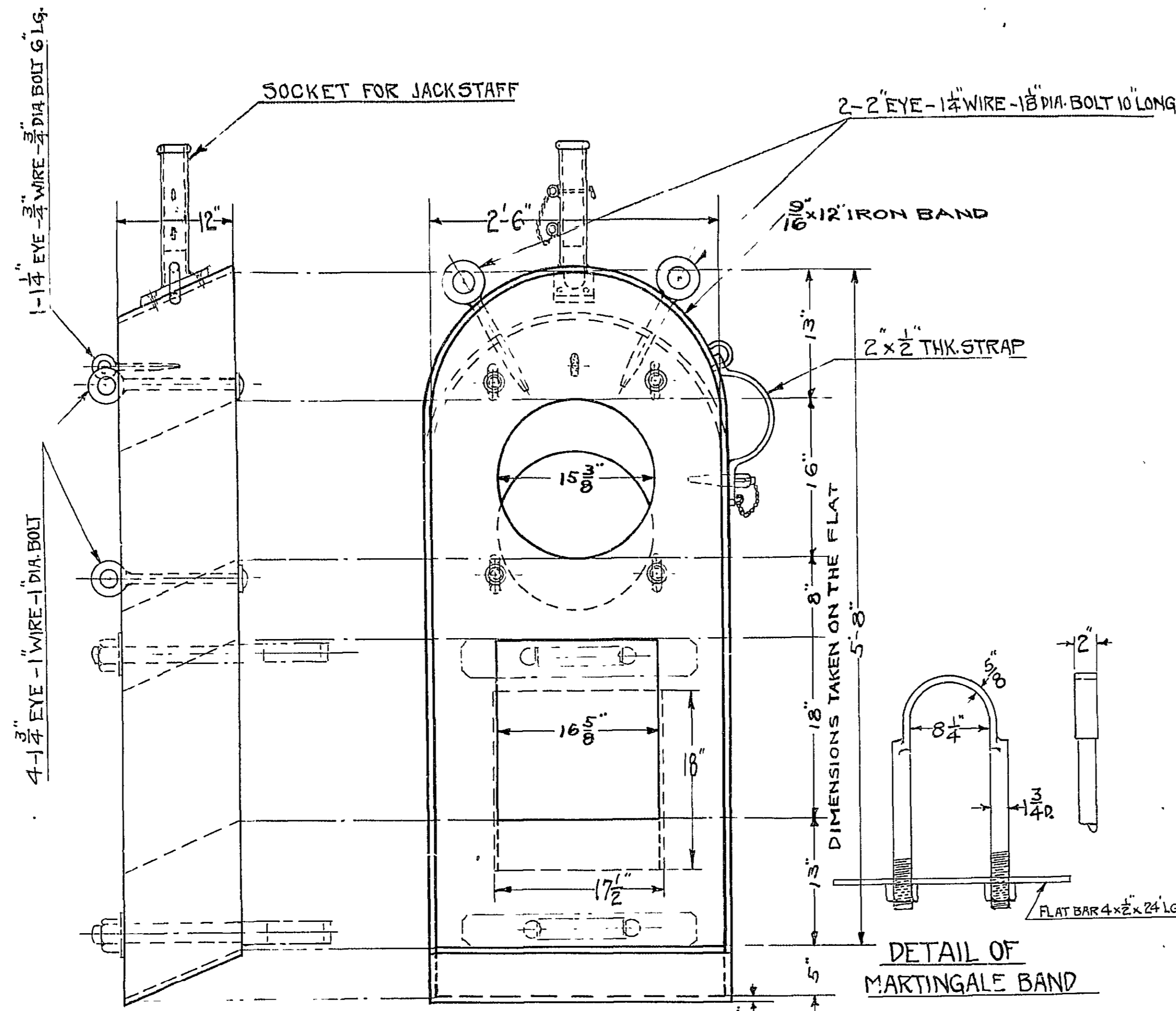
**OUTER END SECTION**

**TOP SIDE**  
SCALE: 1/2" = 1 FT

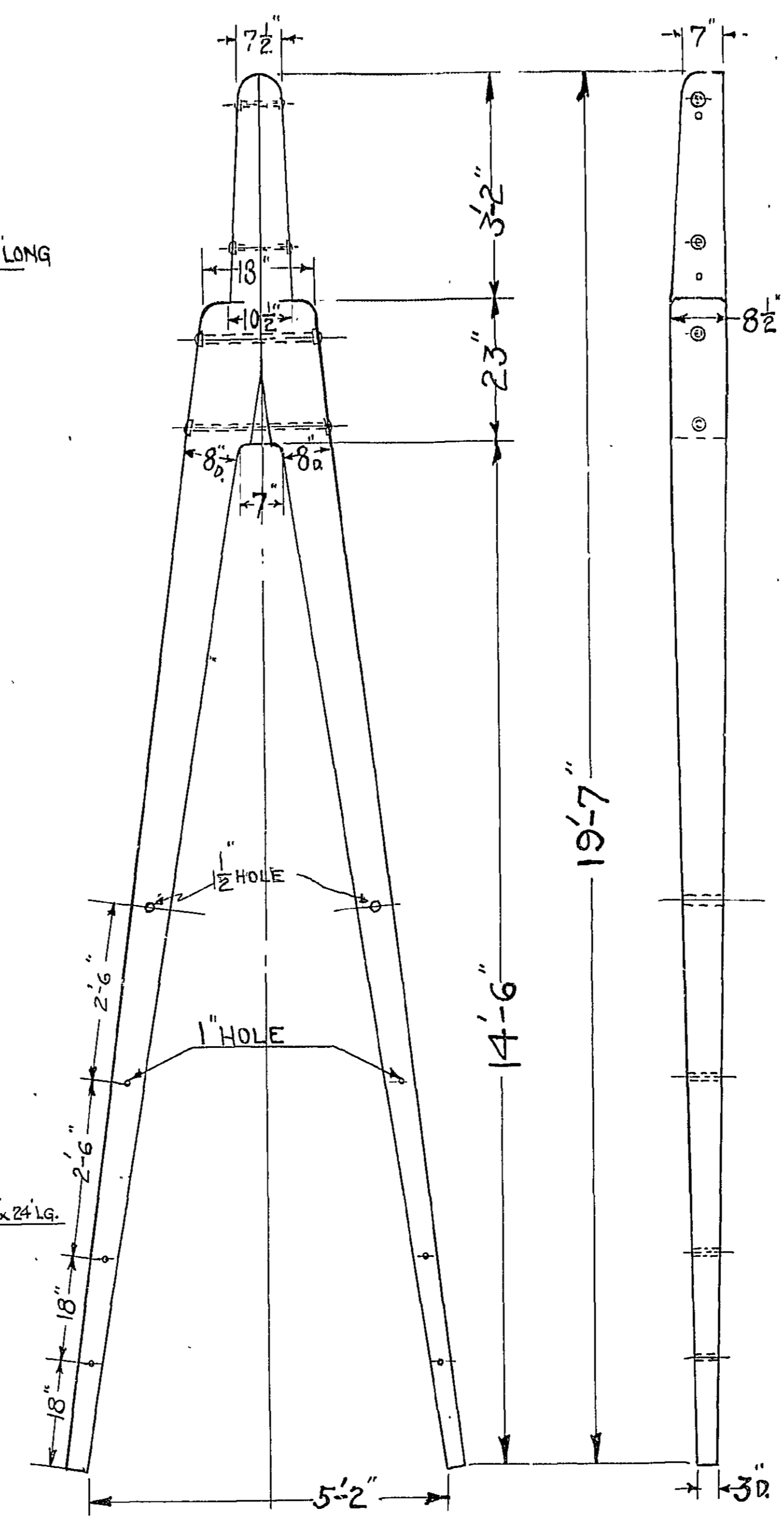
IN CHARGE OF WORK J.A. LORD LIEUT. (CUSH)  
DRAWN BY *Warren S. Siebman*  
TRACED BY *Edw. S. ...*  
CHECKED FROM WORK J.C. GAMBLE



BEE BLOCKS



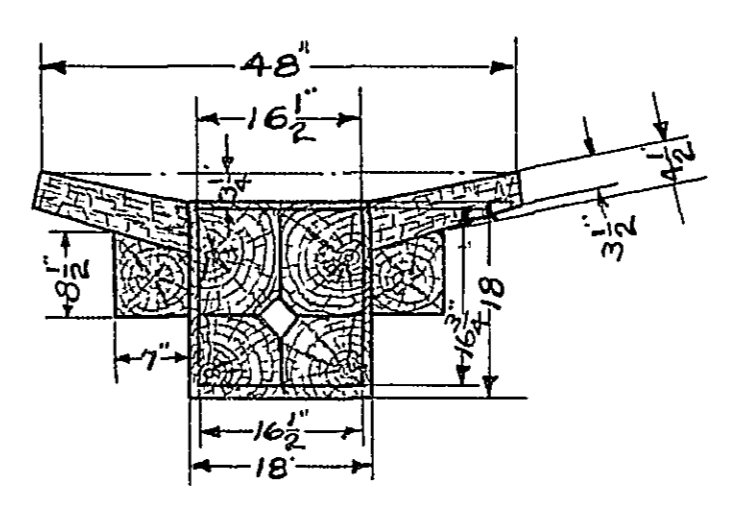
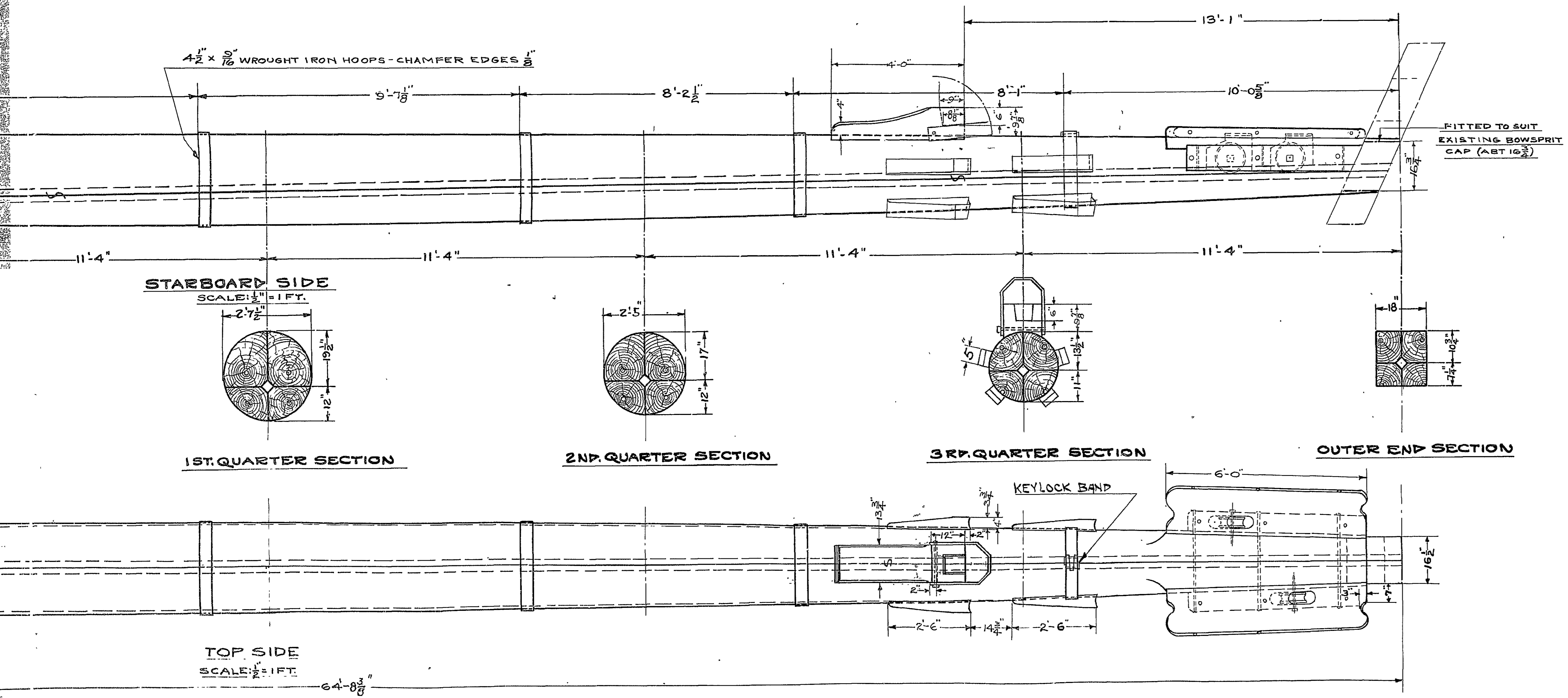
BOWSPRIT CAP  
WHITE OAK  
SCALE: 1/2" = 1 FT.



DOUBLE MARTINGALE (WHITE OAK)  
SCALE: 1/2" = 1 FT.

REFERENCE PLANS	WORKING PLAN - FINISHED PLAN
GUN DECK GENERAL ARRANGEMENT	*34676-24423
GUN DECK PLANKING REMOVED	15844-15644
SPAR DECK GENERAL ARRANGEMENT	21209-24422

NOTE:—  
PLAN OF BOWSPRIT TAKEN FROM OLD BOWSPRIT  
INSTALLED DURING 1906-1907, EXCEPTING  
MINOR ALTERATIONS SUCH AS POSITION OF  
FOUR TREE HEART SECTIONS.  
OLD HOOPS TO BE USED WHEN FOUND TO BE IN  
GOOD CONDITION POSITION OF HOOPS TO BE  
APPROXIMATELY AS SHOWN ON PLAN.



FITTED TO SUIT  
EXISTING BOWSPRIT  
CAP (ART 102)

CORRECTED FROM WORK  
**RESTORATION 1927-1931**  
**U.S. FRIGATE CONSTITUTION**  
**BOWSPRIT AND MARTINGALE**  
NAVY YARD, BOSTON. JUNE 1929  
SCALE: 1/2" & 1" = 1 FT.

*R. M. Rush*  
APPROVED FOR MANAGER