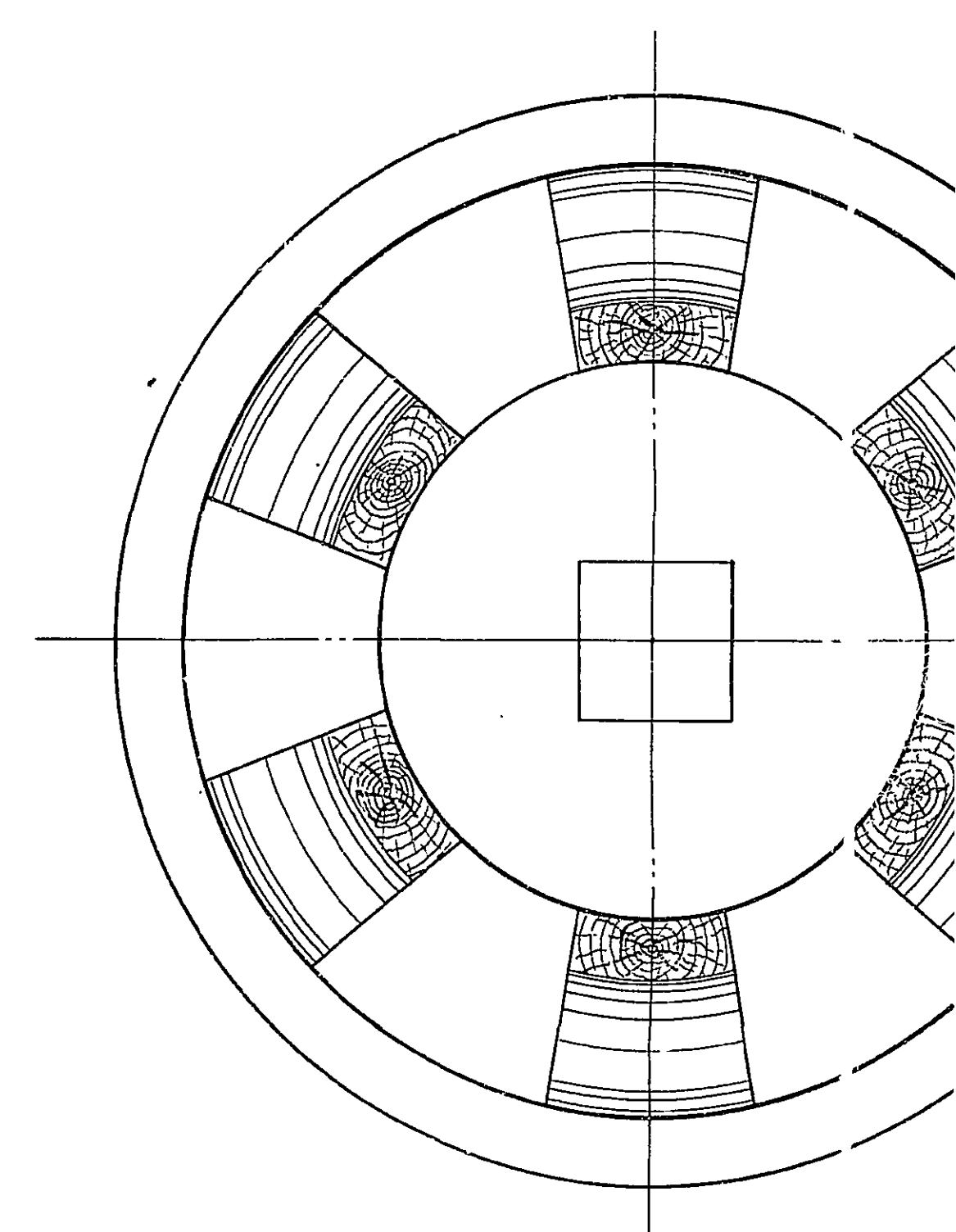
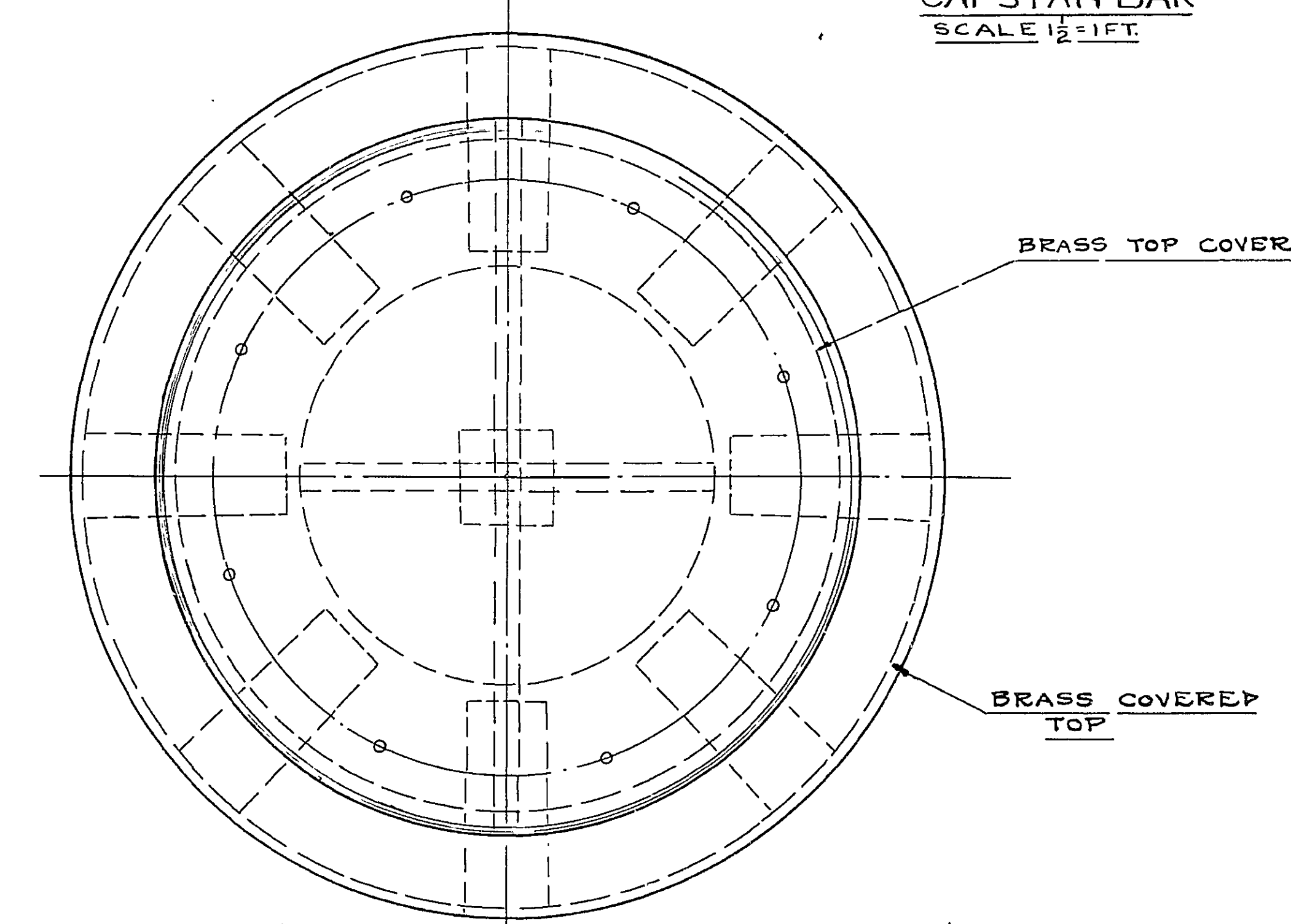
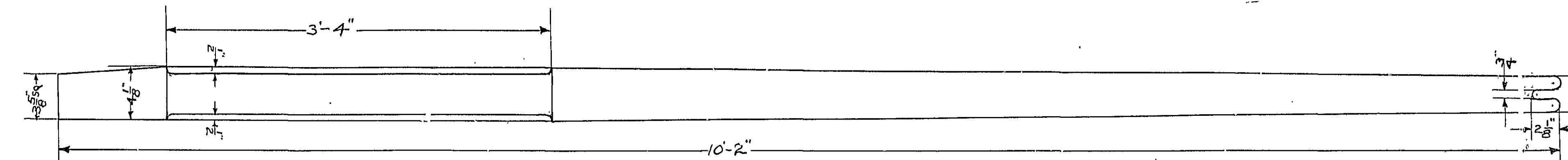
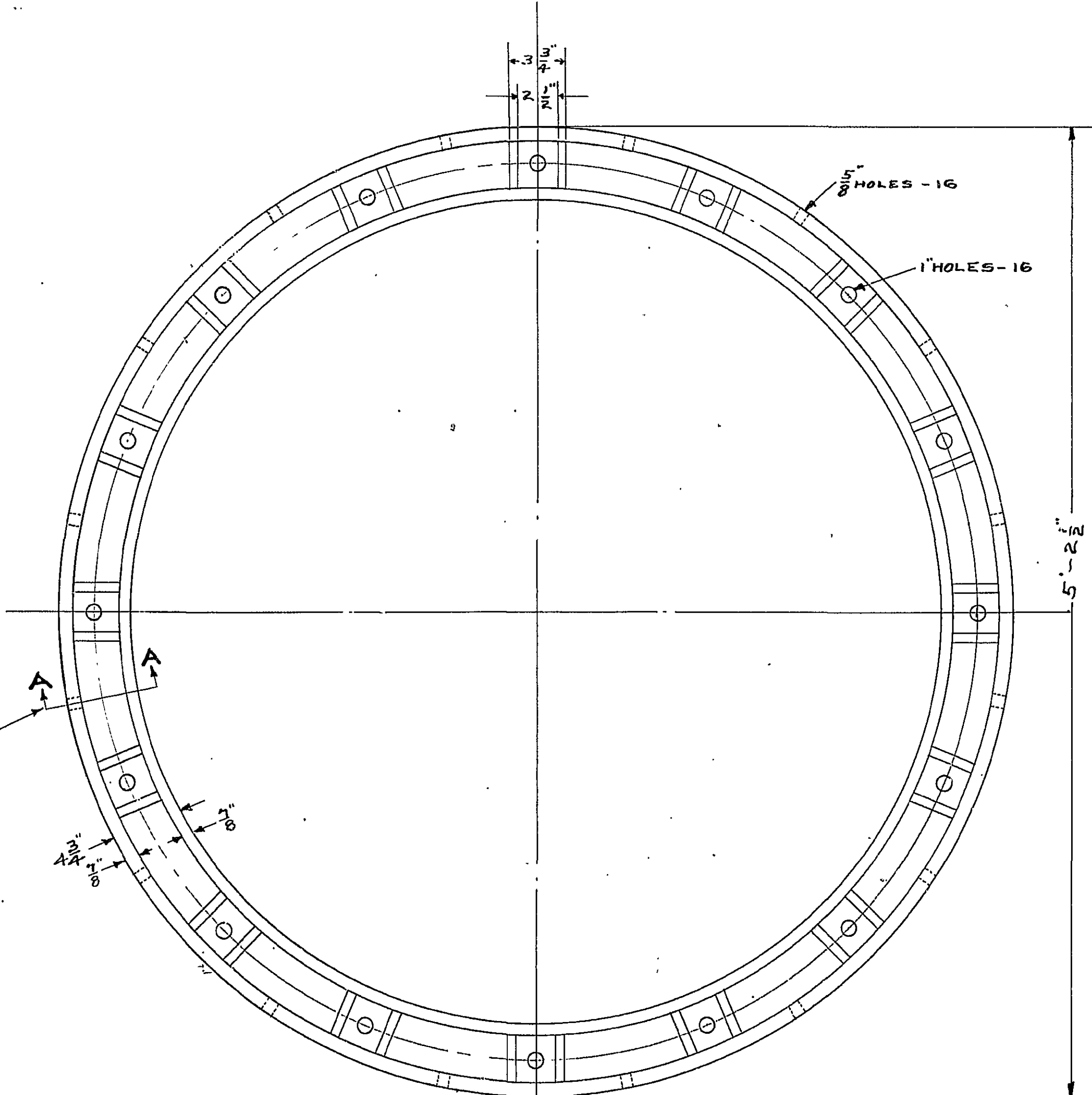
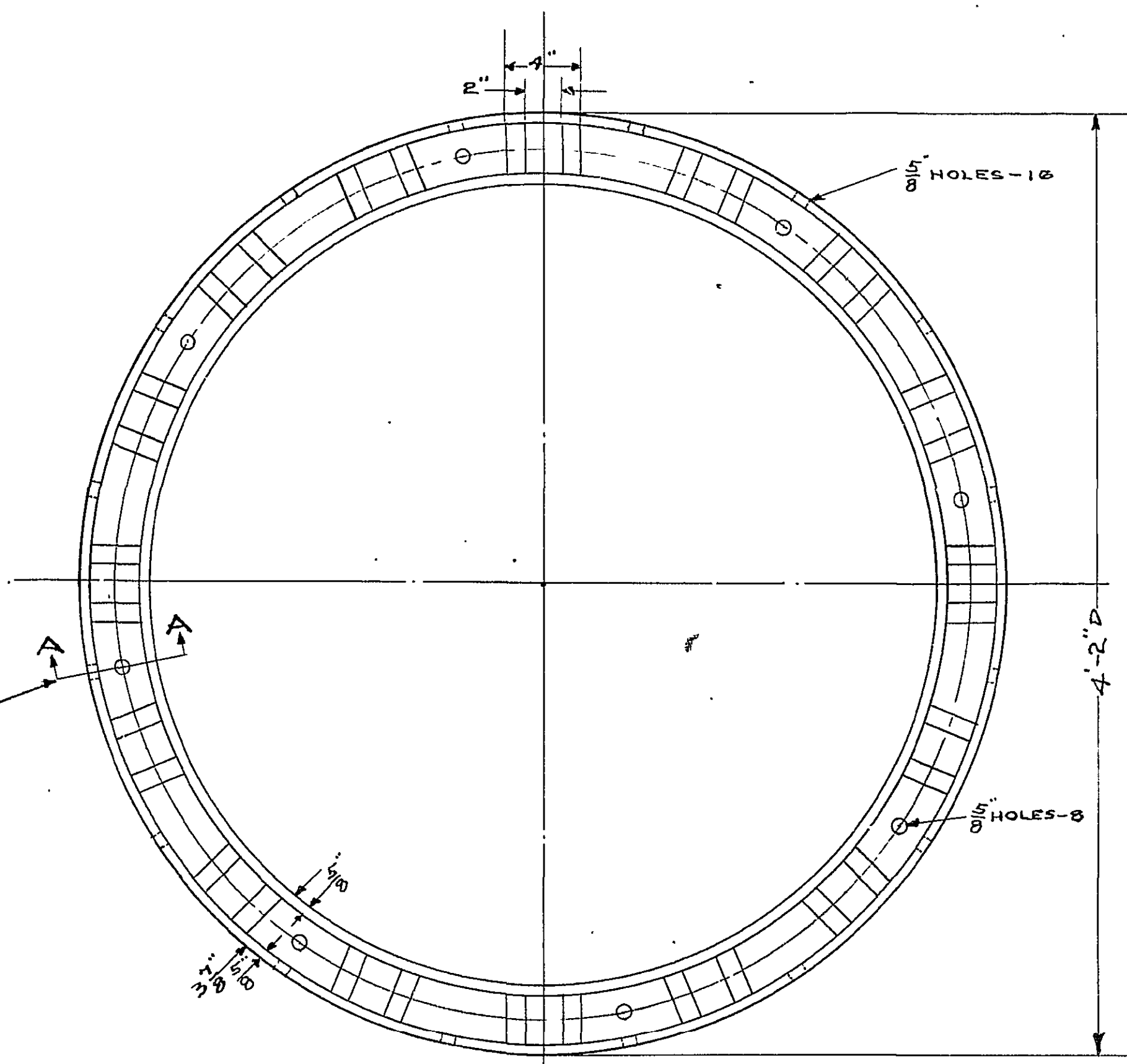
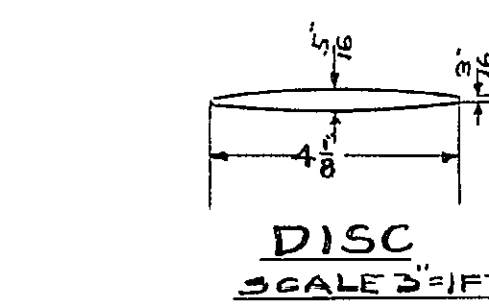
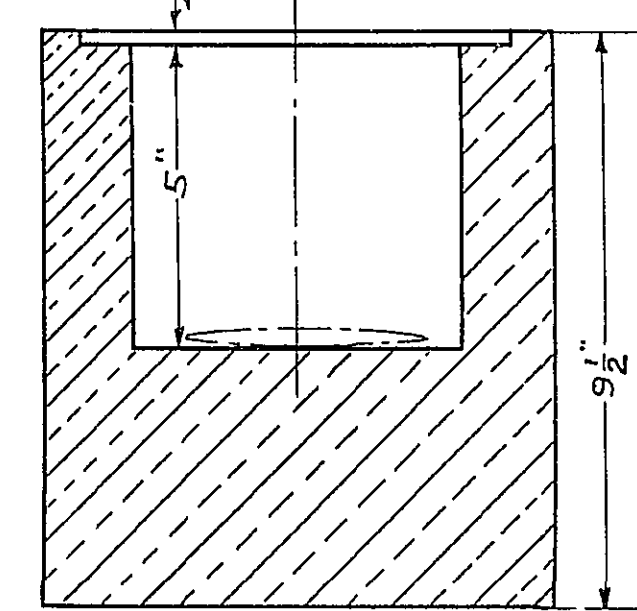
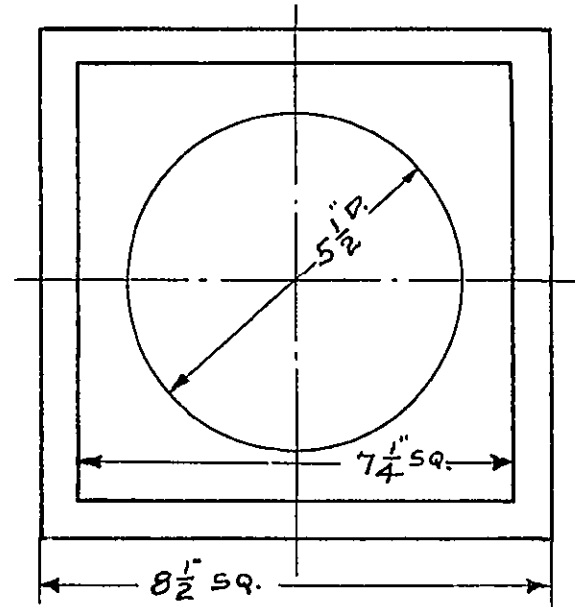
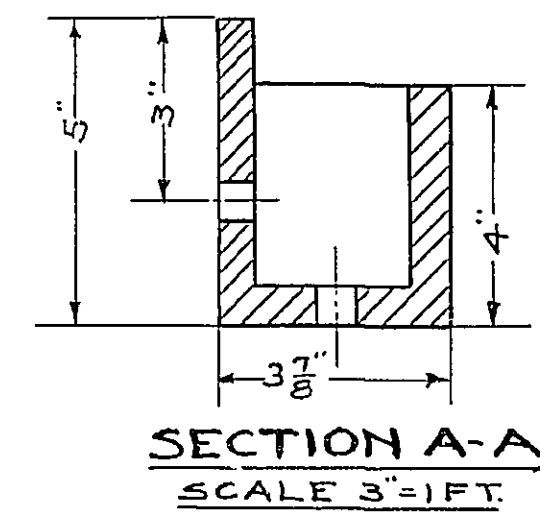
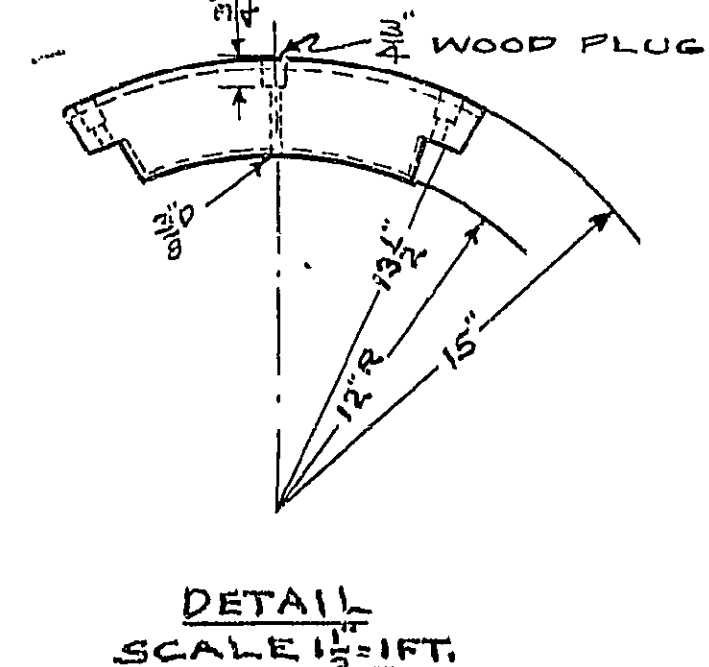
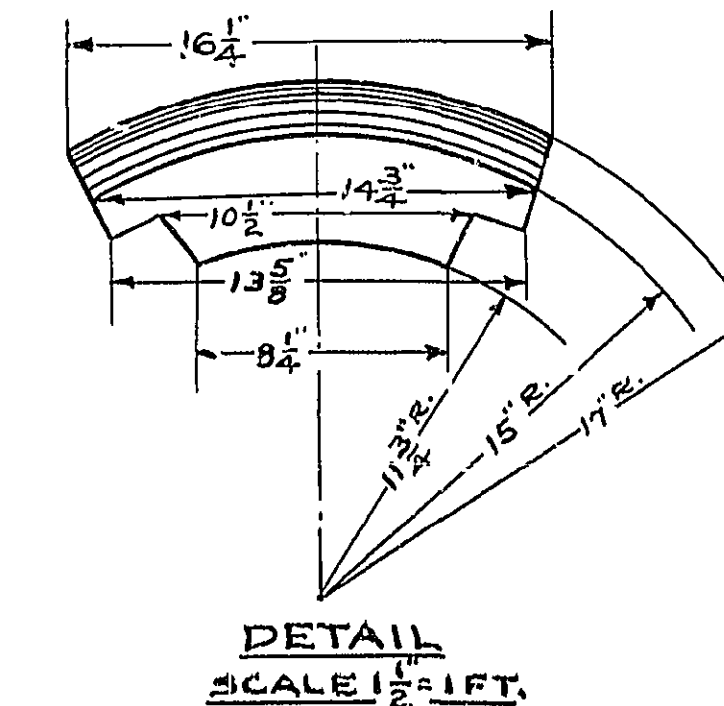
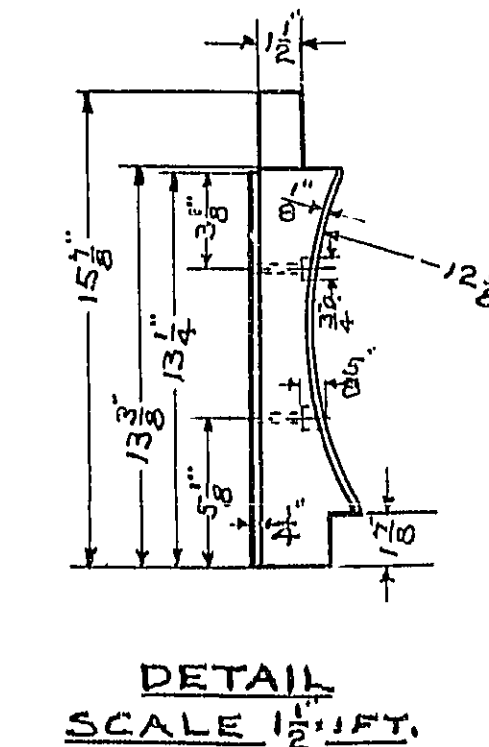
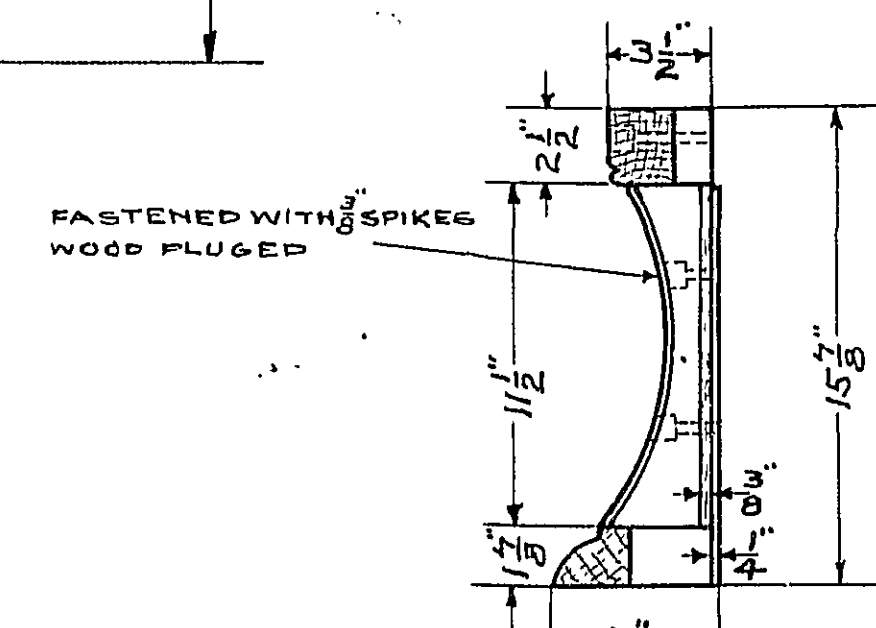
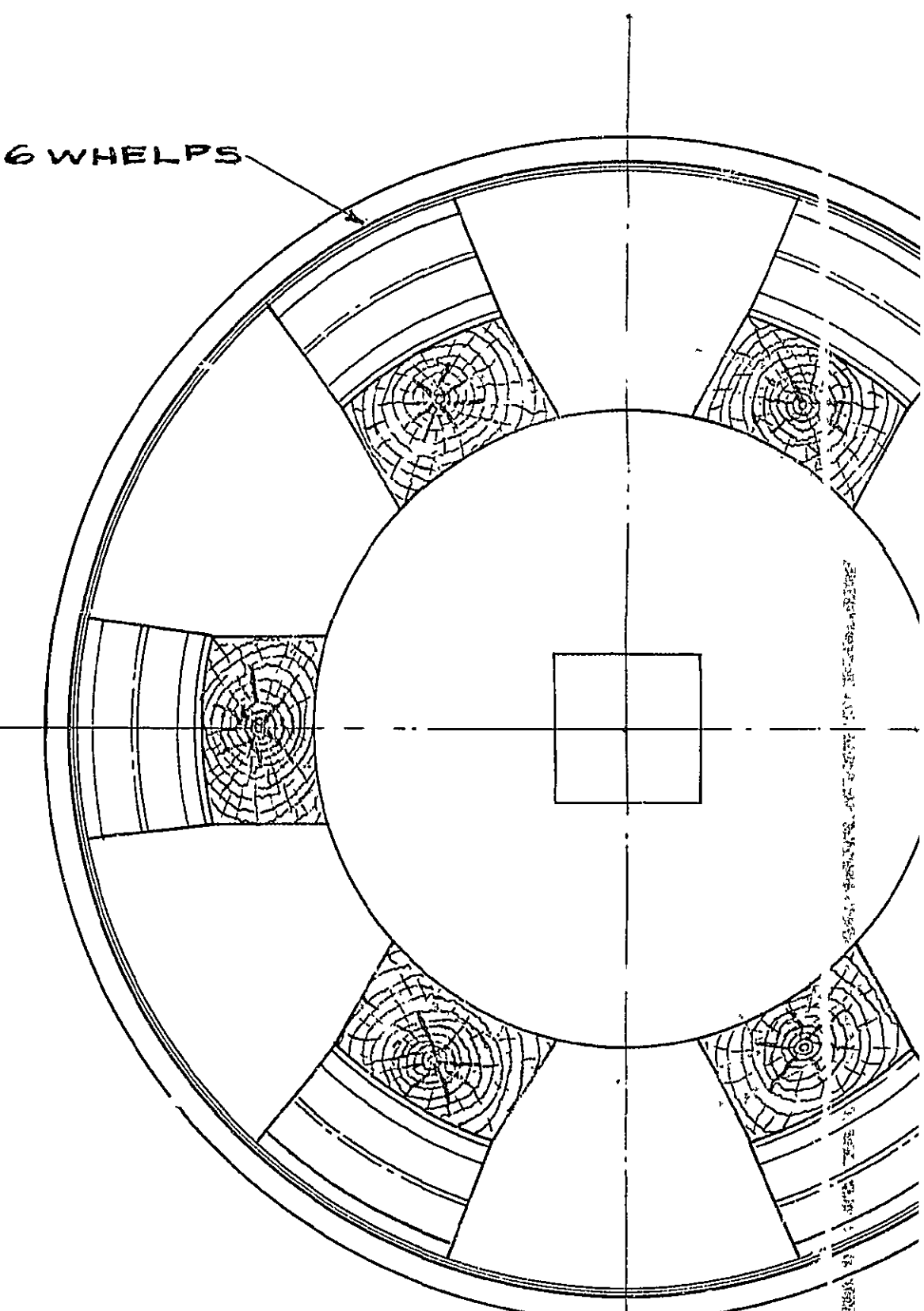
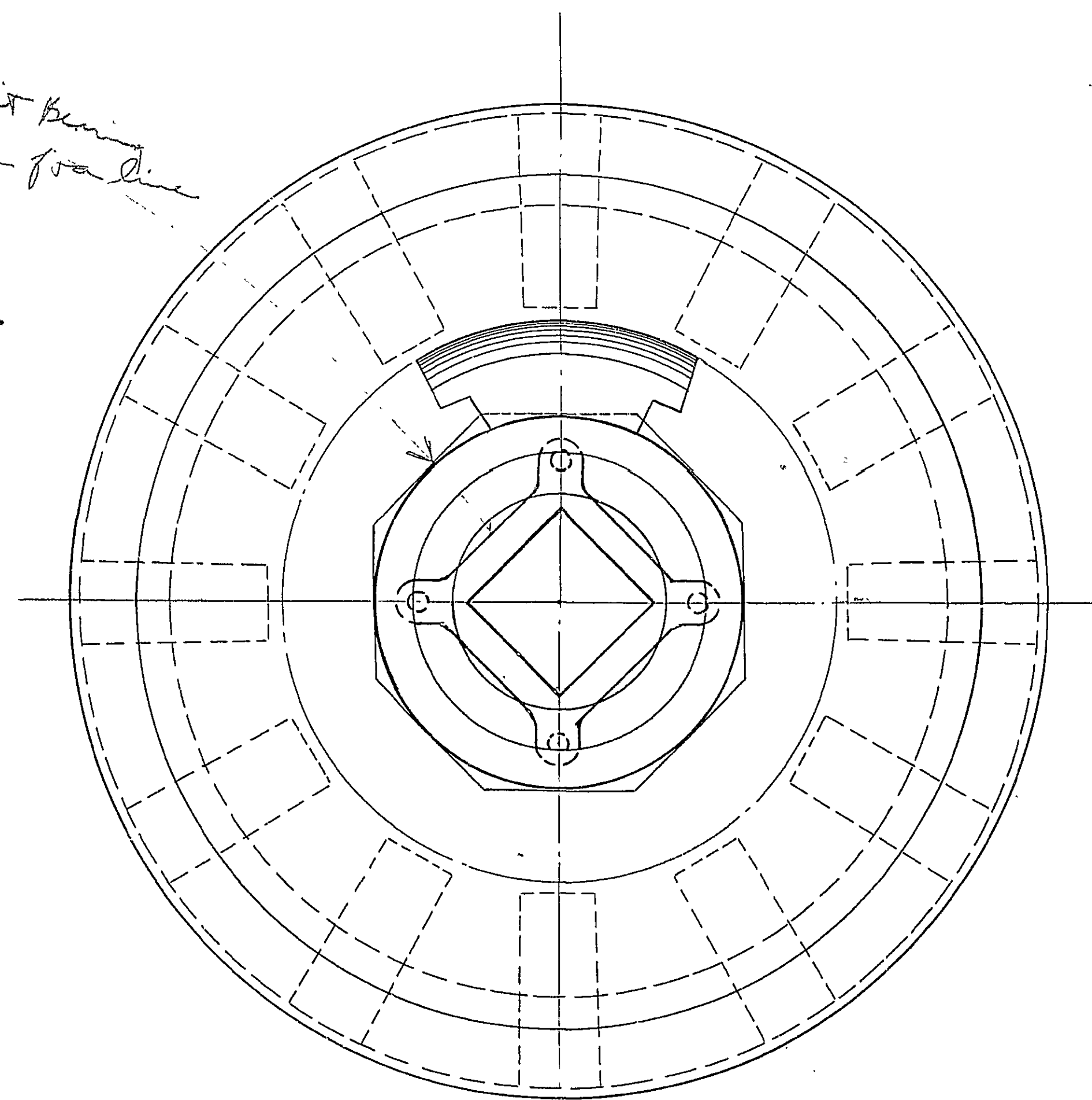


SHAFT
SCALE 1/2"=1 FT.
MATERIAL=IRON

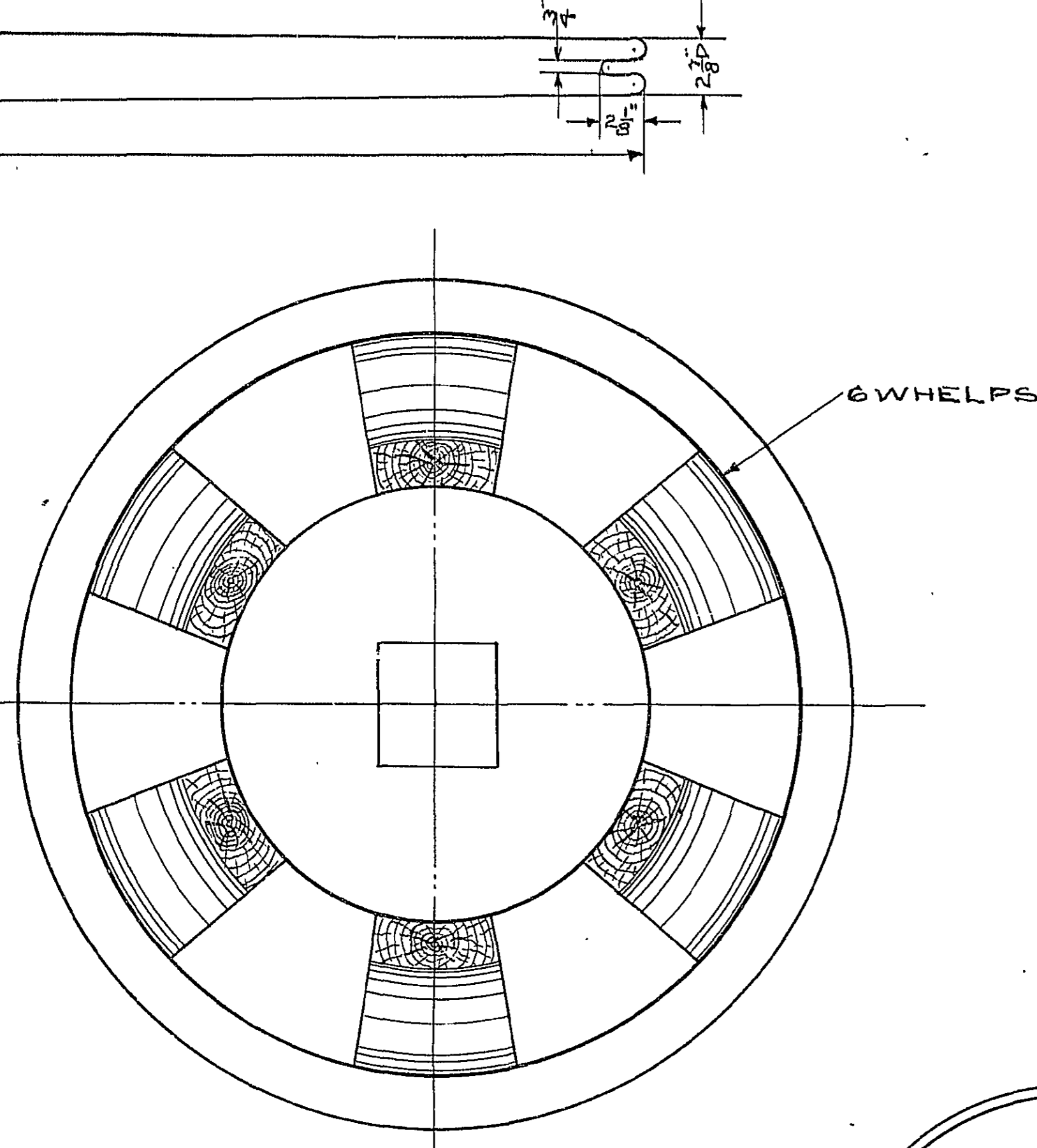
IN CHARGE OF WORK LIEUT. J.A. LORD (C.C.) U.S.N.
DRAWN BY *Warren D. Lieberman*
TRACED BY *W.D. & Edwards & Bennett*



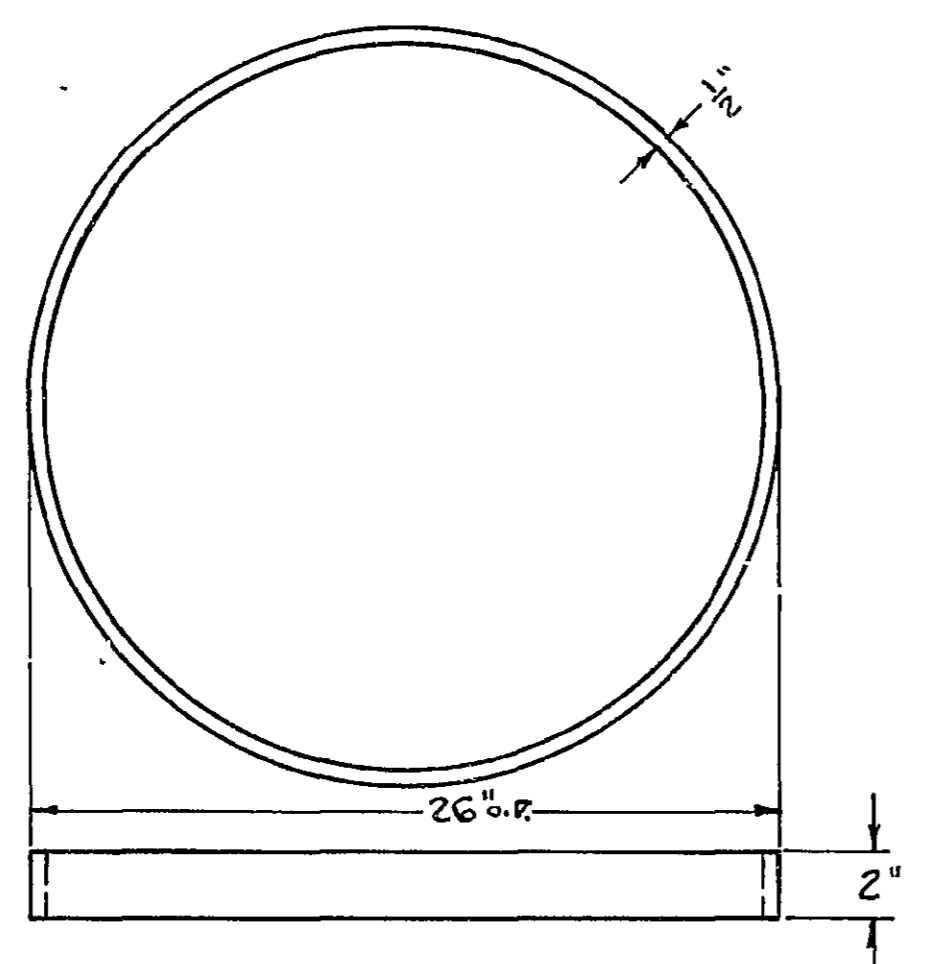
*Split Bearing
after trial*



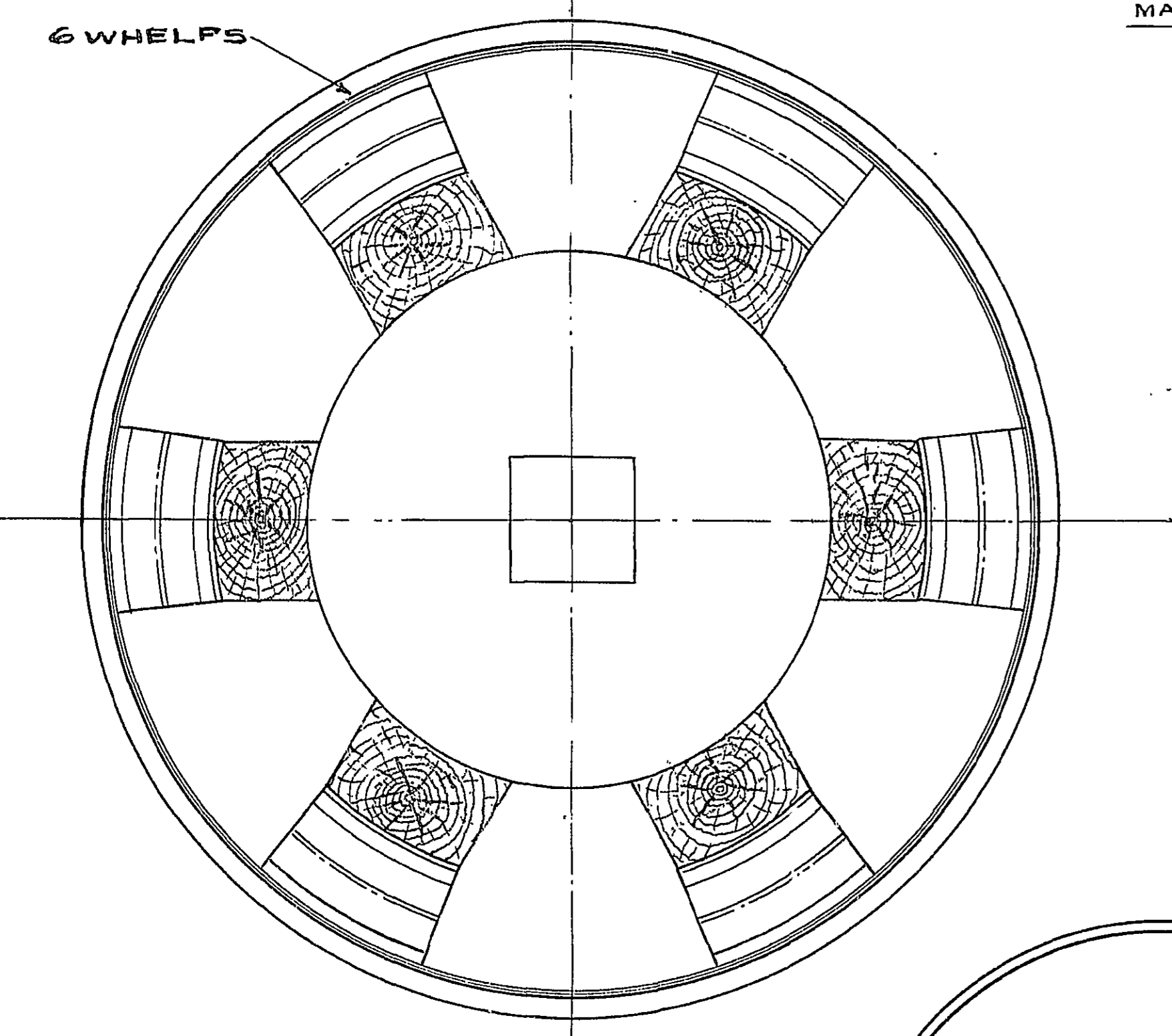
6 WHELPS



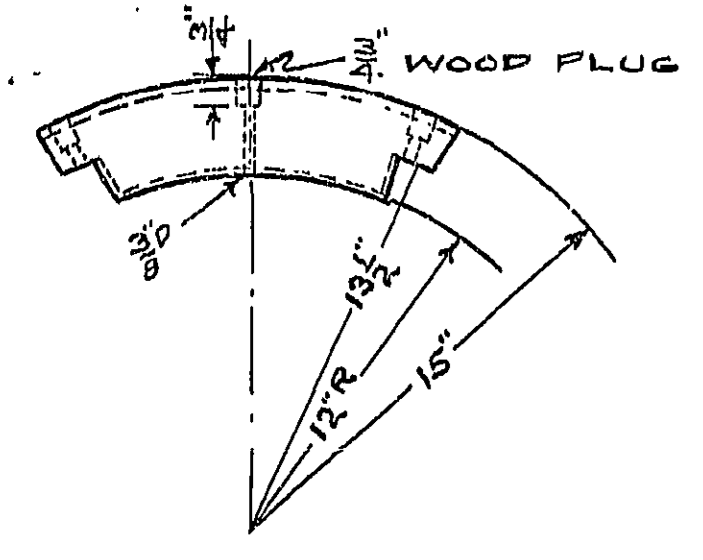
SECTION B-B
SPAR DECK CAPSTAN
SCALE 1 1/2" = 1 FT.



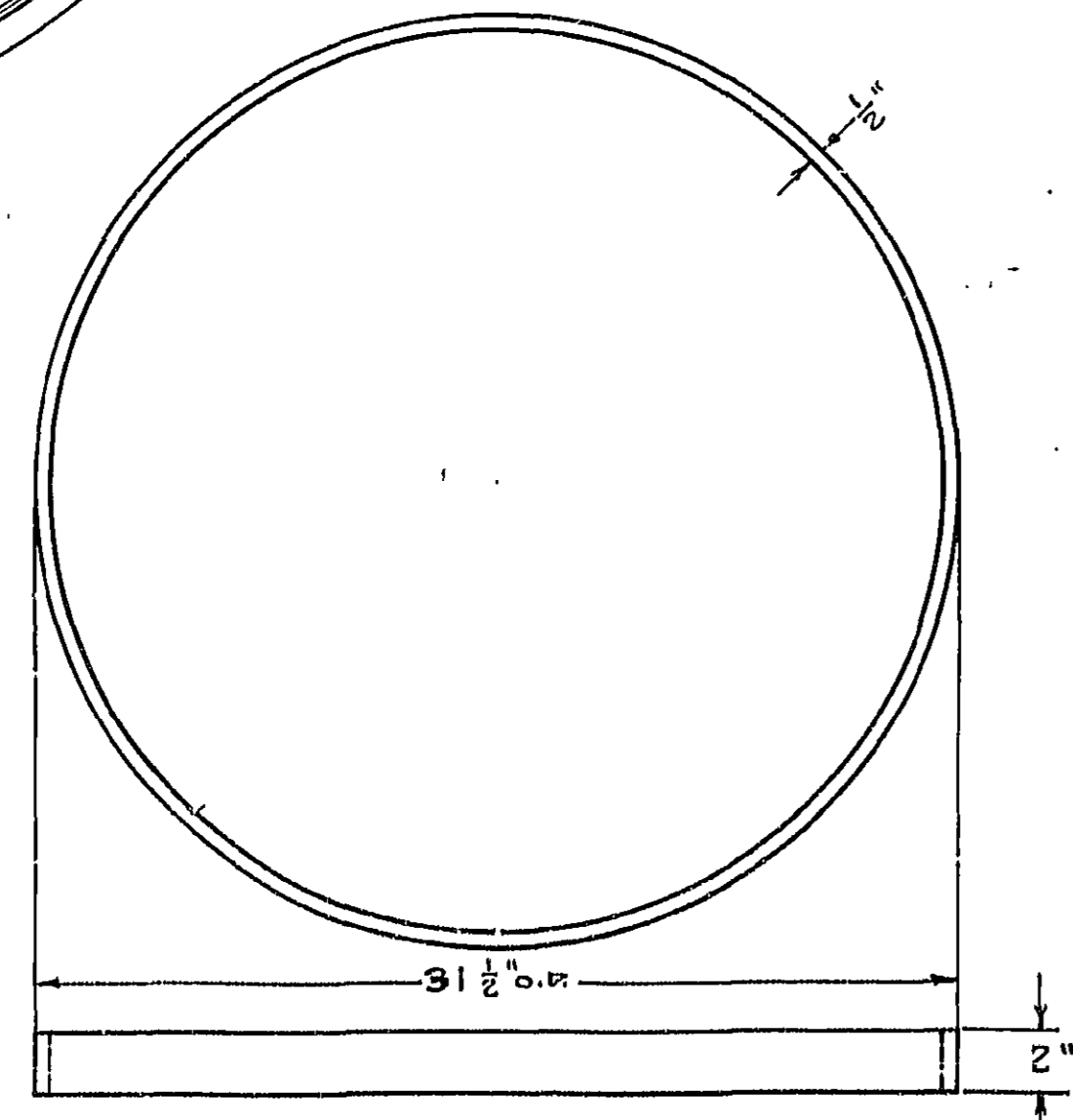
SPAR DECK RING
SCALE 1 1/2" = 1 FT.
MATERIAL = IRON



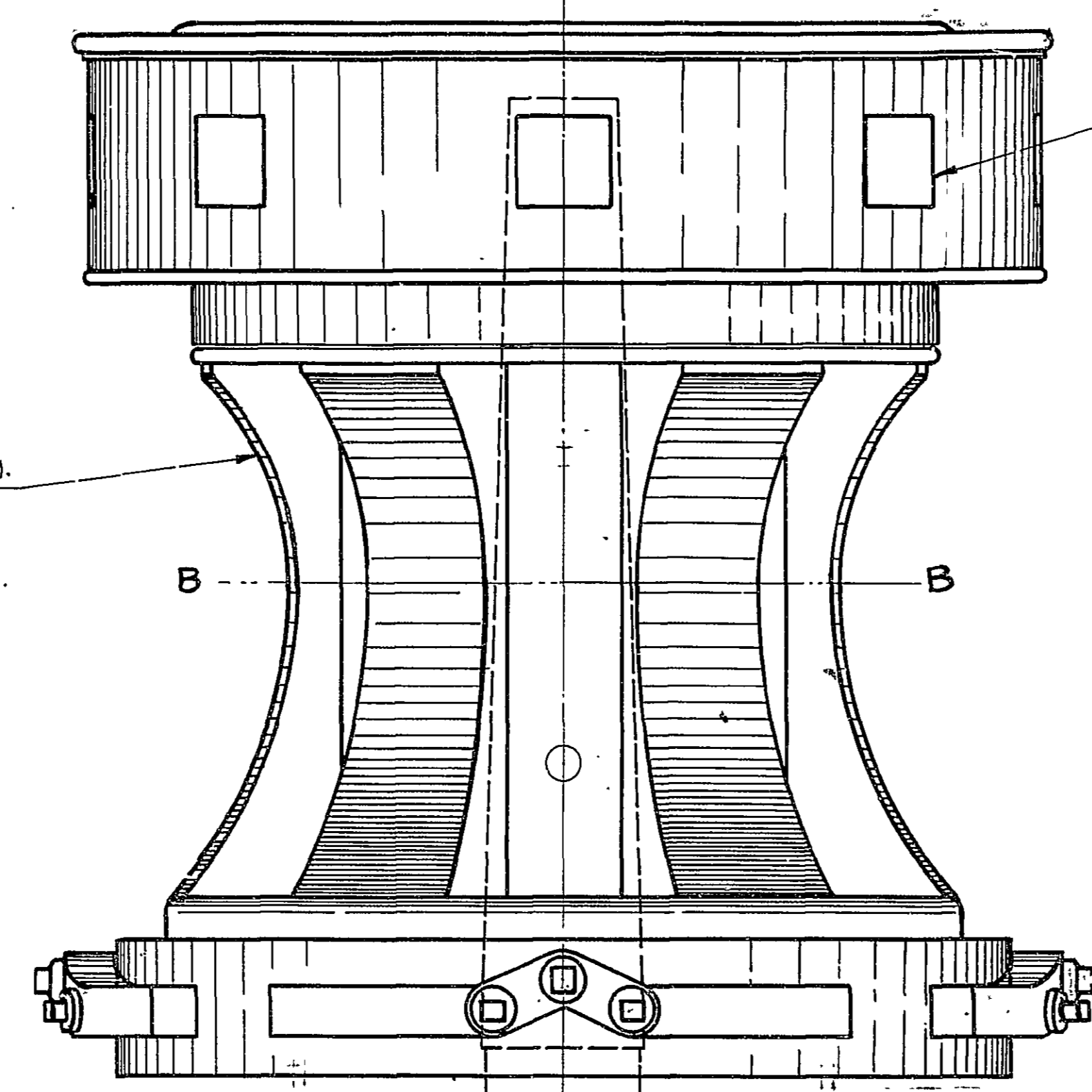
SECTION A-A
GUN DECK CAPSTAN
SCALE 1 1/2" = 1 FT.



DETAIL
SCALE 1 1/2" = 1 FT.

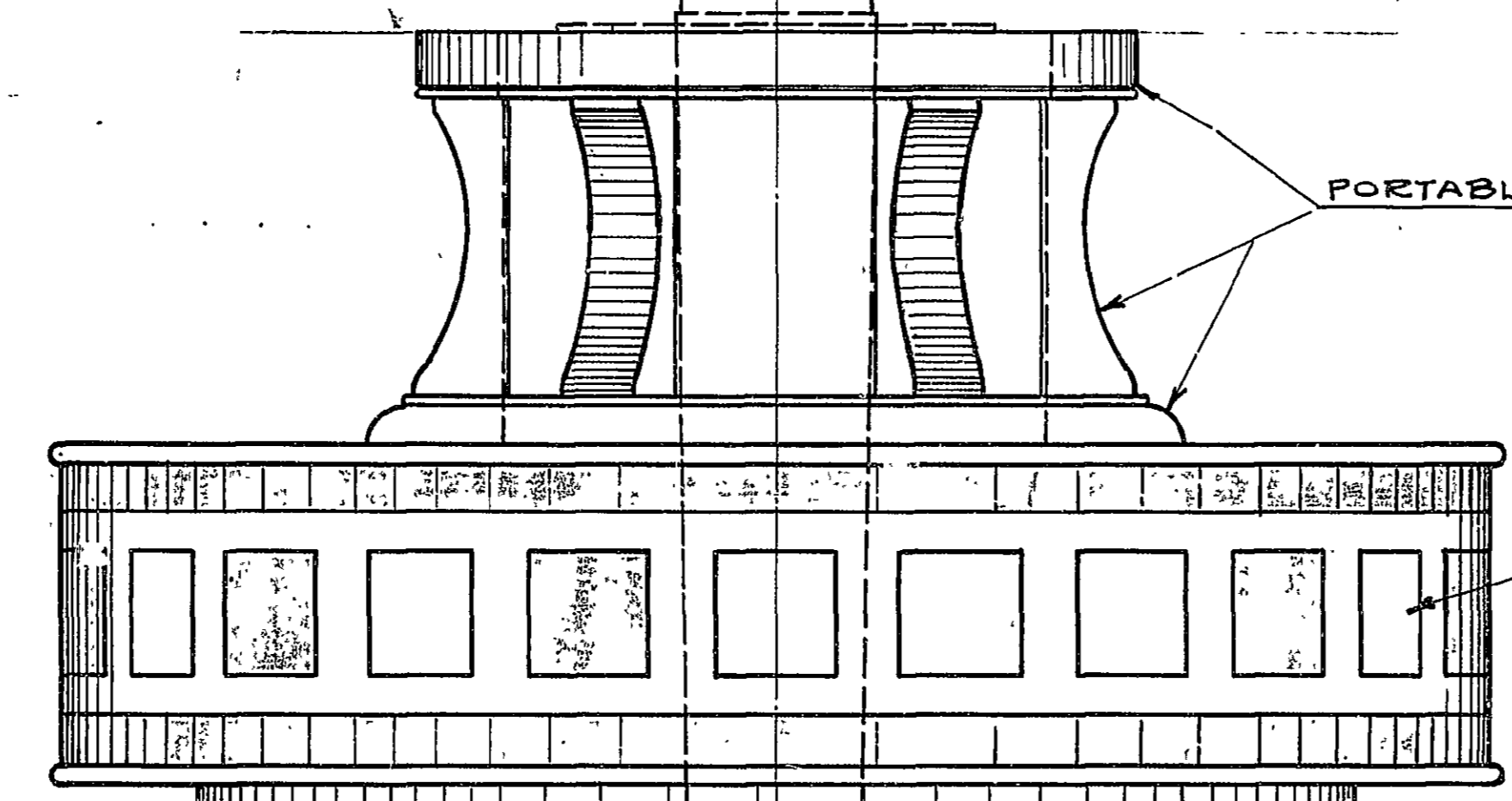


GUN DECK RING
SCALE 1 1/2" = 1 FT.
MATERIAL = IRON

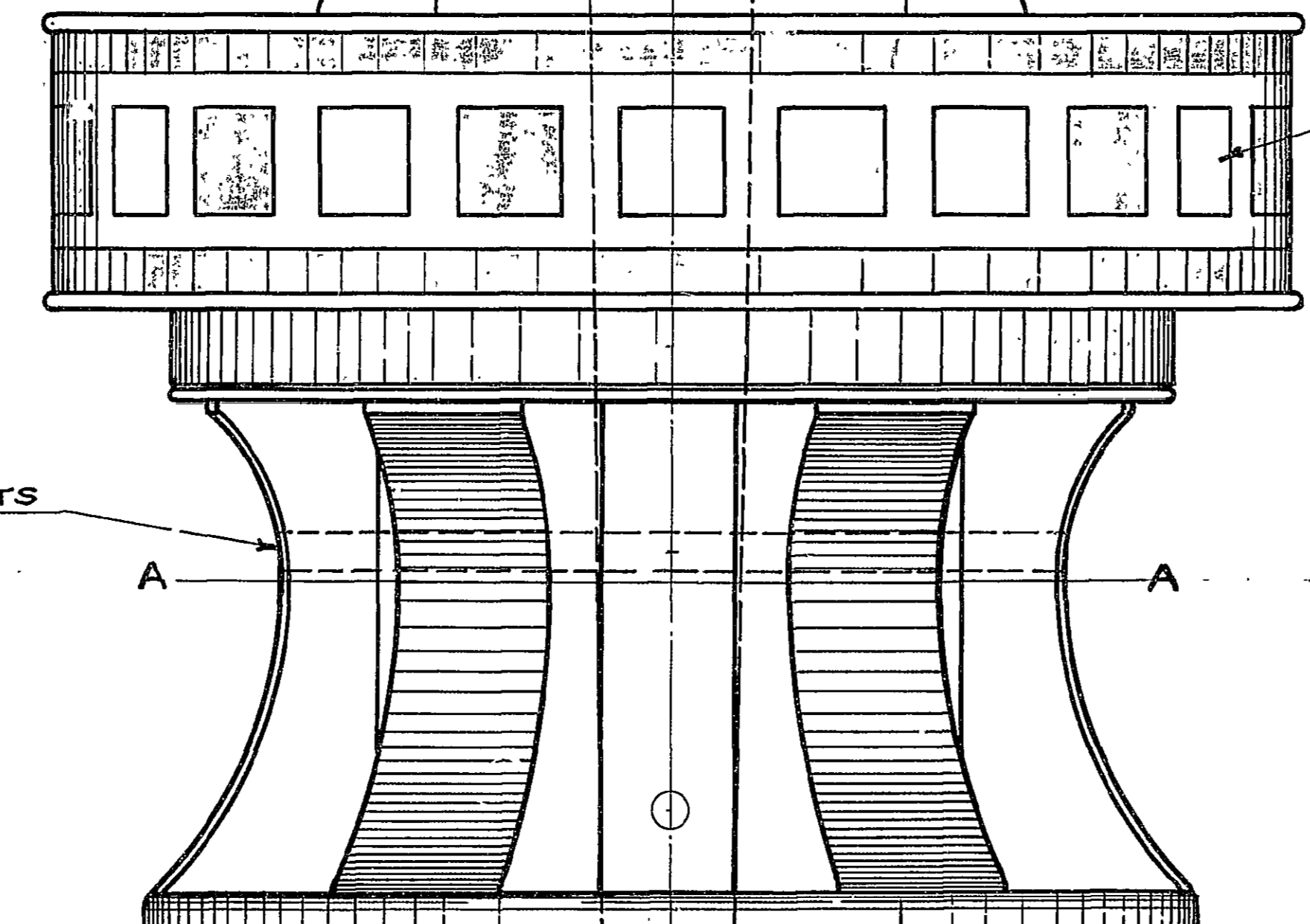


OPENINGS FOR 8
CAPSTAN BARS

SPAR DECK
CAPSTAN



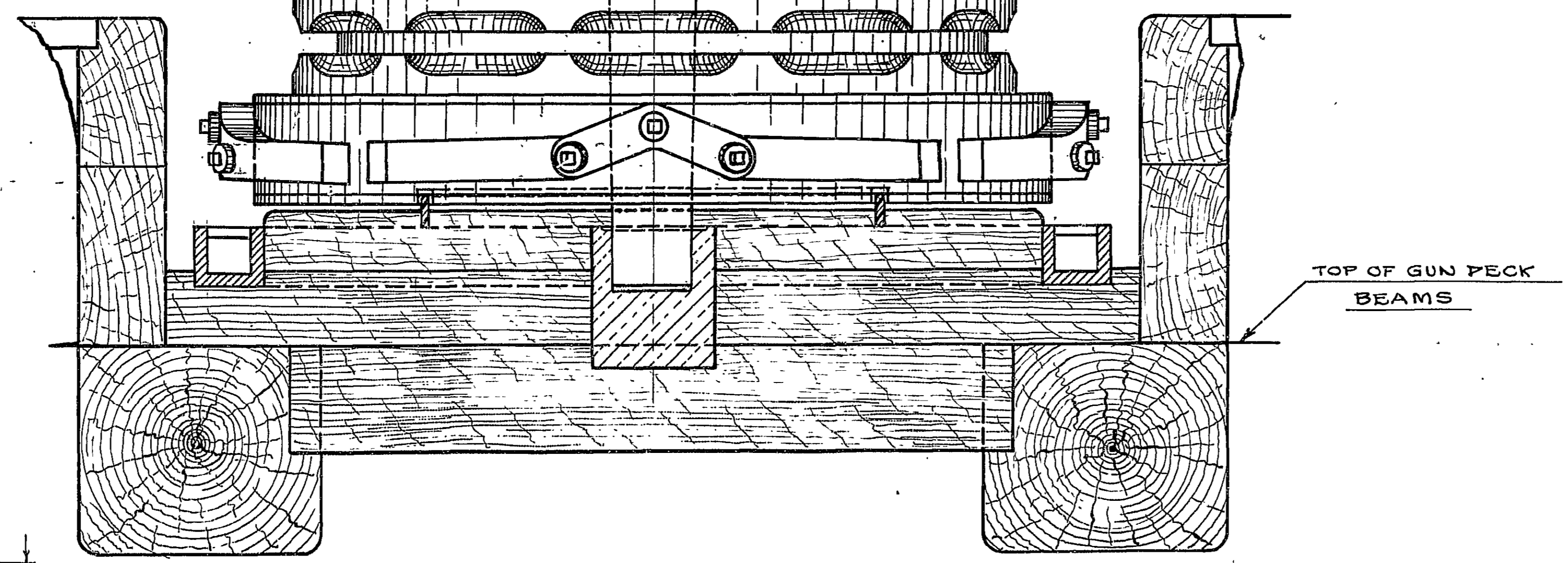
PORTABLE WORK



OPENINGS FOR 12
CAPSTAN BARS

GUN DECK
CAPSTAN

CAPSTAN SECURED TO
SHAFT BY 2-1/2" DIA. THRU BOLTS
AS SHOWN



TOP OF GUN DECK
BEAMS

ELEVATION
GENERAL ARRANGEMENT OF CAPSTANS
SCALE 1 1/2" = 1 FT.

REFERENCE PLANS

GUN DECK-GENERAL ARRANGEMENT.	NO. 34676
GUN DECK-PLANKING REMOVED.	15644
SPAR DECK-PLANKING REMOVED.	17636
SPAR DECK-GENERAL ARRANGEMENT.	21209

NOTE:
THIS PLAN HAS BEEN DRAWN FROM THE CAPSTANS
INSTALLED ON BOARD SHIP PRIOR TO RESTORATION 1927
AS A PART OF OLD INSTALLATION.

RESTORATION 1927-1931
U.S. FRIGATE CONSTITUTION
CAPSTANS
GENERAL ARRANGEMENT & DETAILS
NAVY YARD, BOSTON. FEB. 1929.

SCALE 1 1/2" = 1 FT.
Em Bush
APPROVED FOR MANAGER