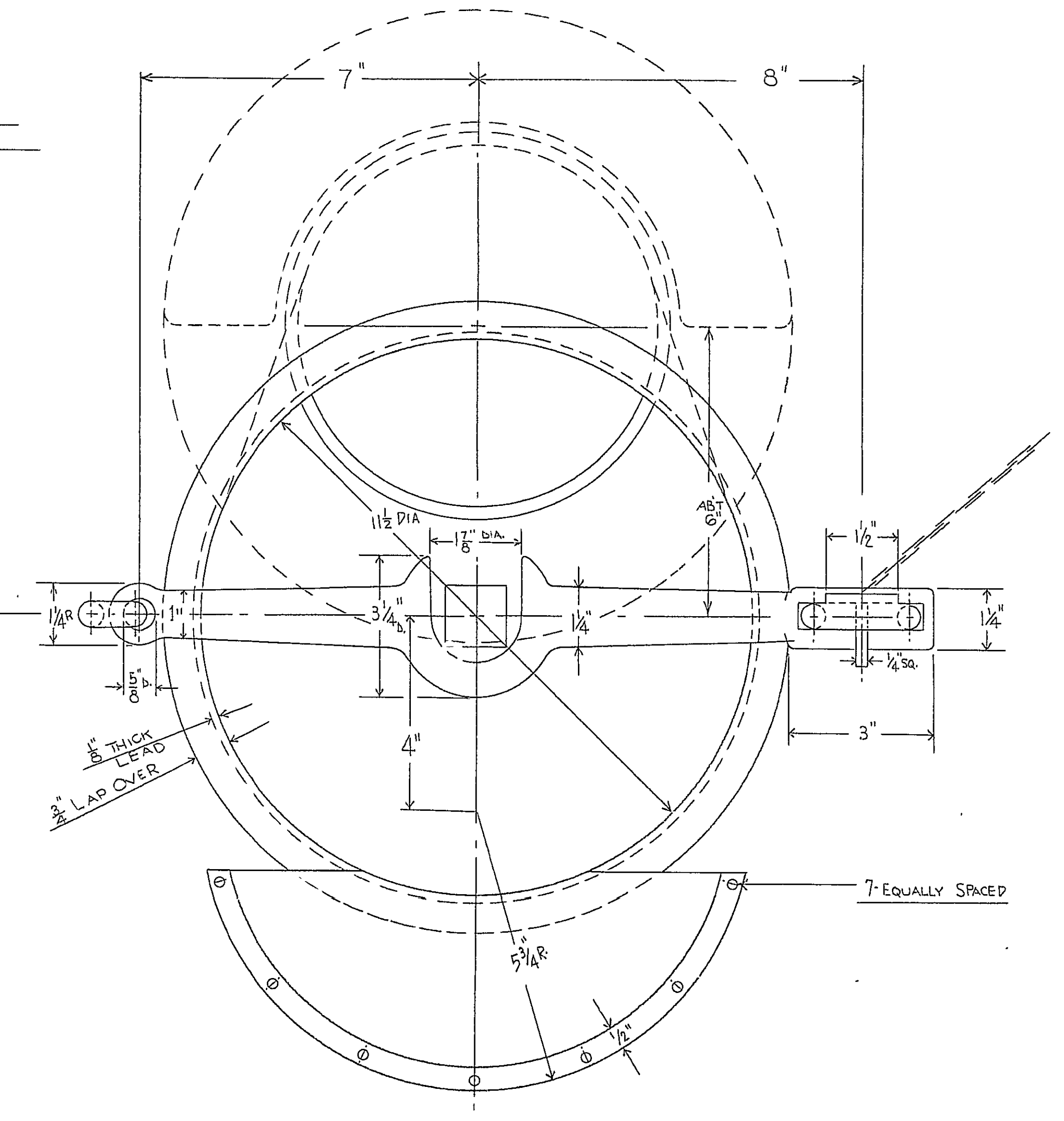
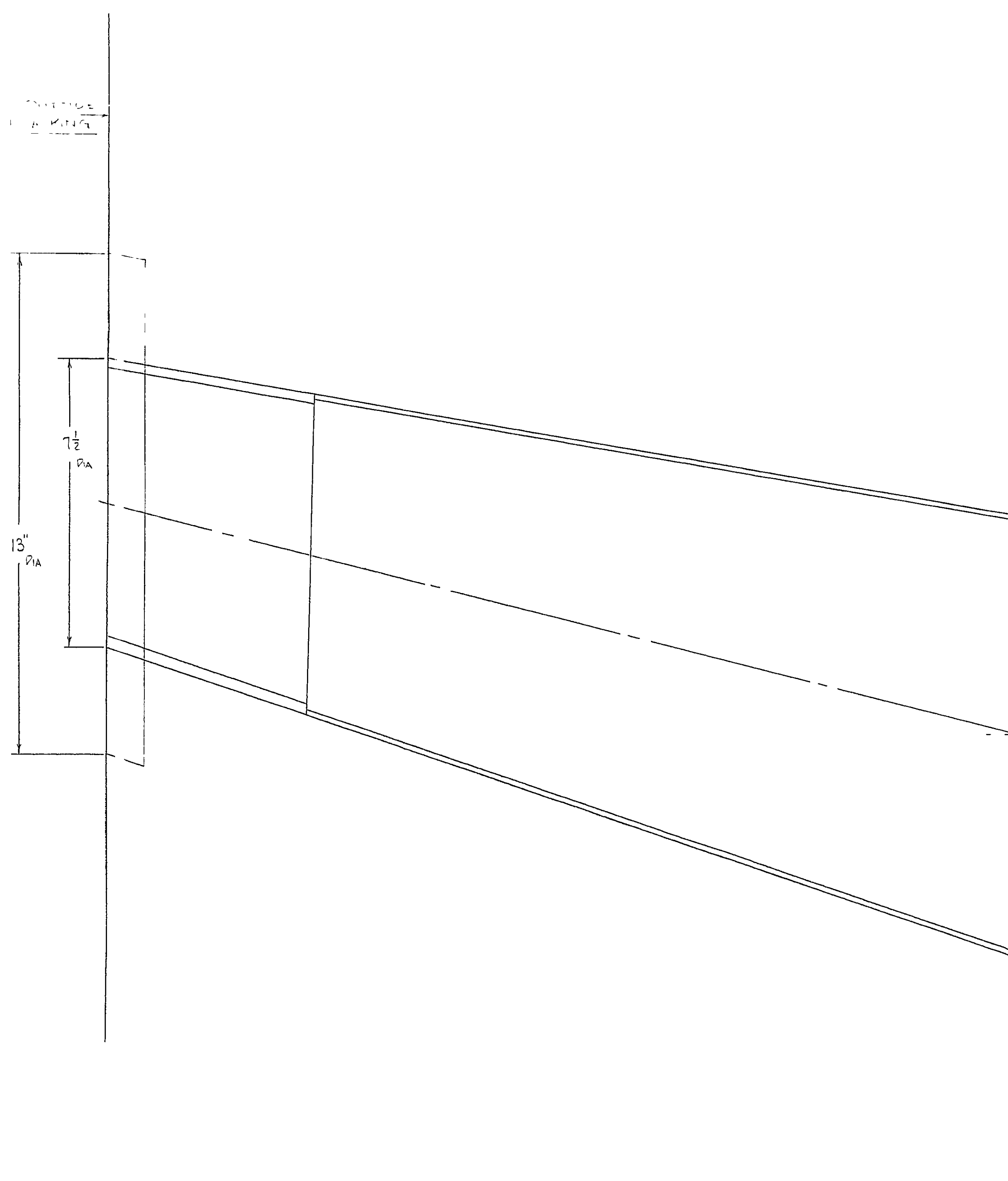
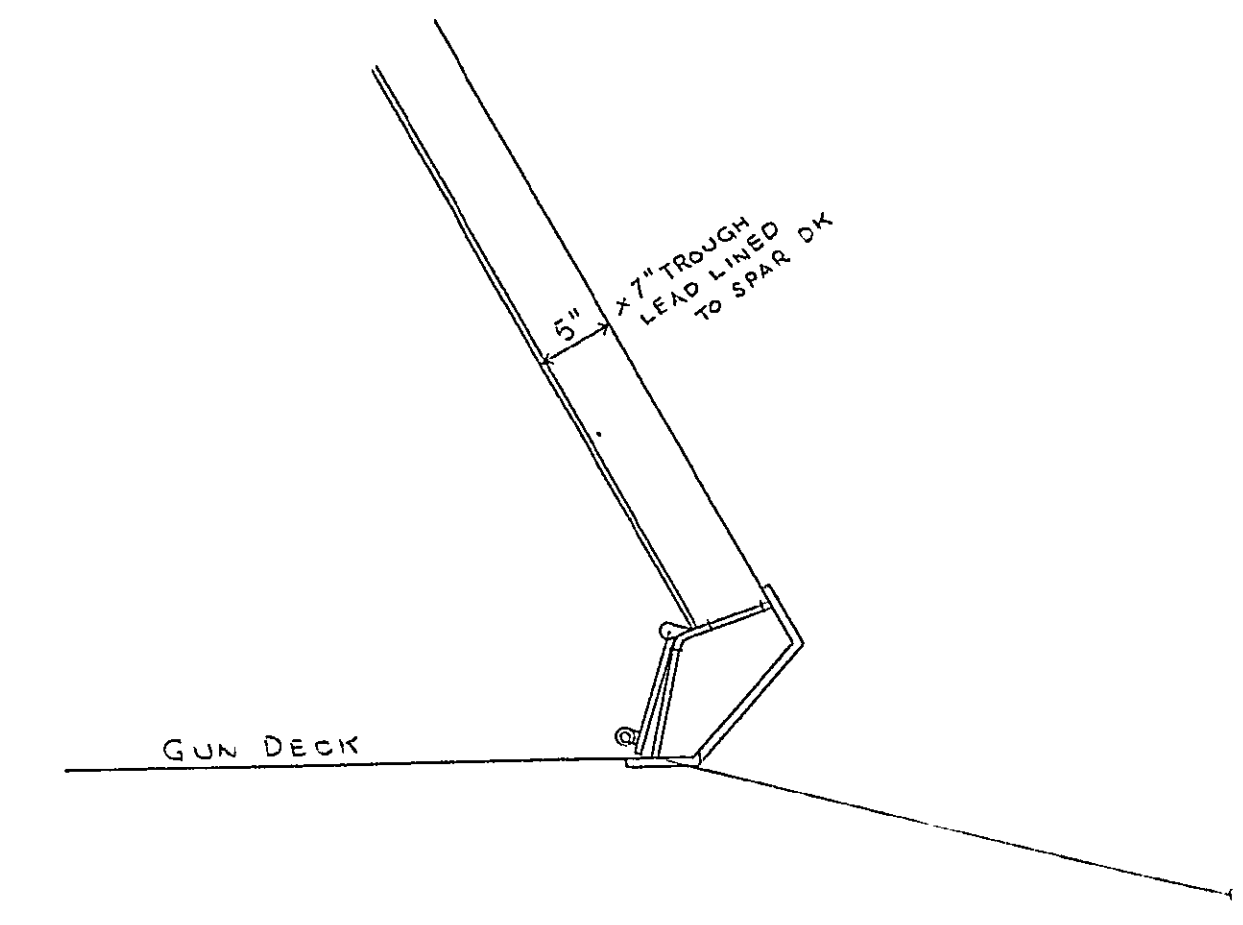
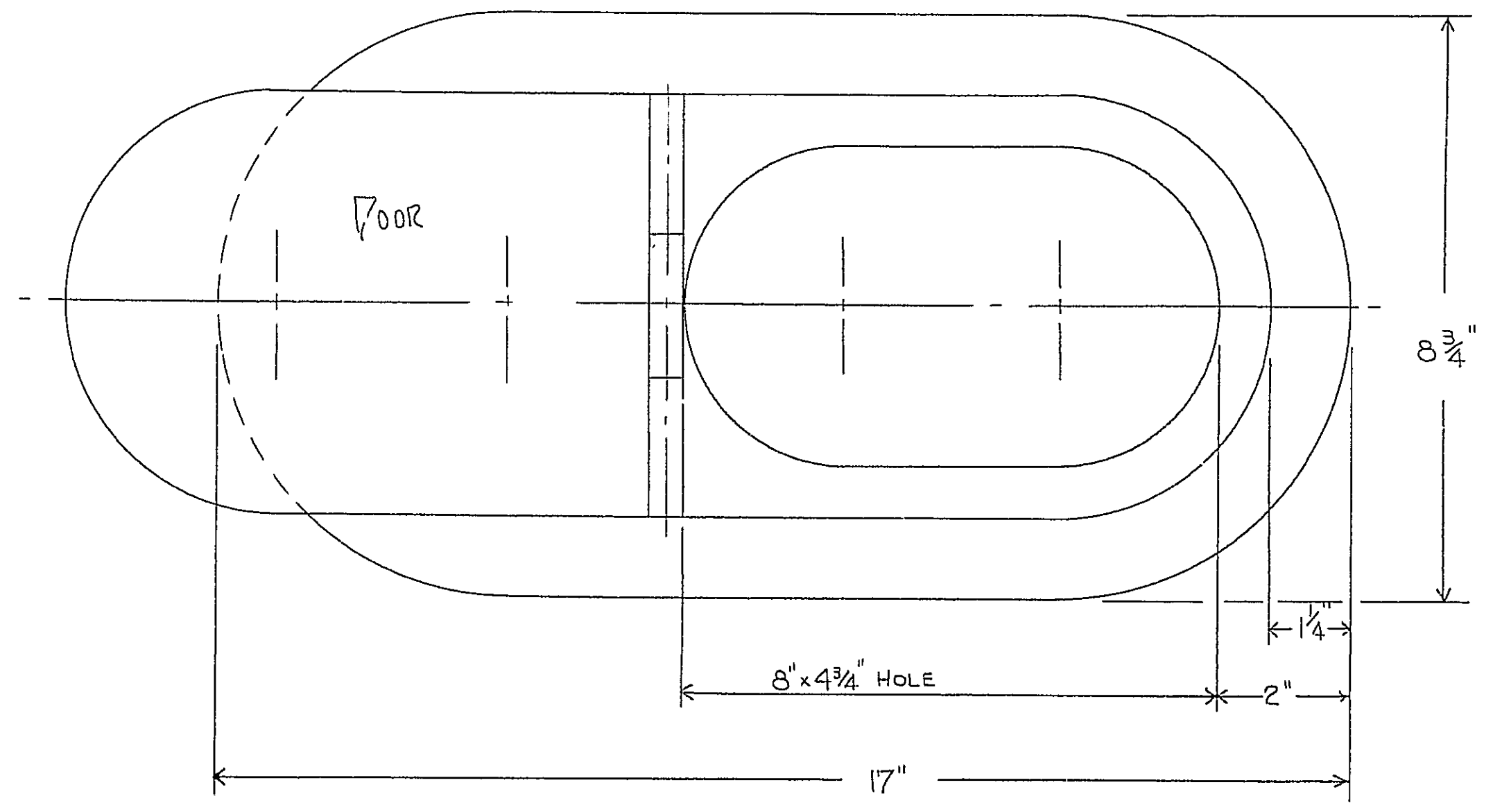


WEIGHT AND MOMENT FOR MATERIAL SHOWN ON THIS DRAWING (TOTALS BY WEIGHT GROUP)									
REVISION	ADD OR DEDUCT	WEIGHT GROUP	WEIGHT (LBS)	VERTICAL LEVER (FT)	VERTICAL MOMENT (FT LBS)	LONGITUDINAL LEVER (FT)	LONGITUDINAL MOMENT (FT LBS)	TRANSVERSE LEVER (FT)	TRANSVERSE MOMENT (FT LBS)
A	NA								

REVISIONS			
REV	ZONE	DESCRIPTION	DATE
A		APPROVAL SIGNATURE ADDED	11/55



**AIRPORT**  
SCALE: 6" = 1 FT  
(INSIDE VIEW)



**SCUPPER**  
SCALE: 6" = 1 FT  
(OUTSIDE VIEW)

FOR LIST OF MATERIAL SEE SHEET NO.  
THIS DRAWING WAS DEVELOPED IN ACCORDANCE WITH THE LATEST ISSUES OF THE STANDARDS LISTED IN MIL-D-1000 AND INCLUDES THE STANDARDS DESIGNATED IN THE A-B-C NAVAL TRIPARTITE STANDARDIZATION AGREEMENTS: ONM INSTRUCTIONS 5711.34 OF 20 DECEMBER 1962 AND NAVMAT INSTRUCTIONS 5711.36A OF 14 AUG 67  
DRAWINGS SO MARKED ARE AFFECTED BY THIS DRAWING AND SHIP PLAN INDICES SHOULD SO STATE

NO	TITLE	NAVSEA DWG NO

**REFERENCES**

AUTH: USN CONSTITUTION  
SHIP IDENT NO & NAME  
PORTSMOUTH NAVAL SHIPYARD  
**BOSTON PLANNING GROUP**  
BOSTON, MASS 02129

**EXAMINED**

**COVERS AIRPORT & SCUPPER**

BRANCH HD: Johnson  
CHECKED: TC  
DRAWN: LAMINICASTRO  
APPD FOR DESIGN: [Signature]  
APPD (OTHER THAN DESIGN DIV): [Signature]

NAVSEA DWG NO: 80060  
SCALE: AS SHOWN  
SHEET 1 OF 1

NO	RESERVATION