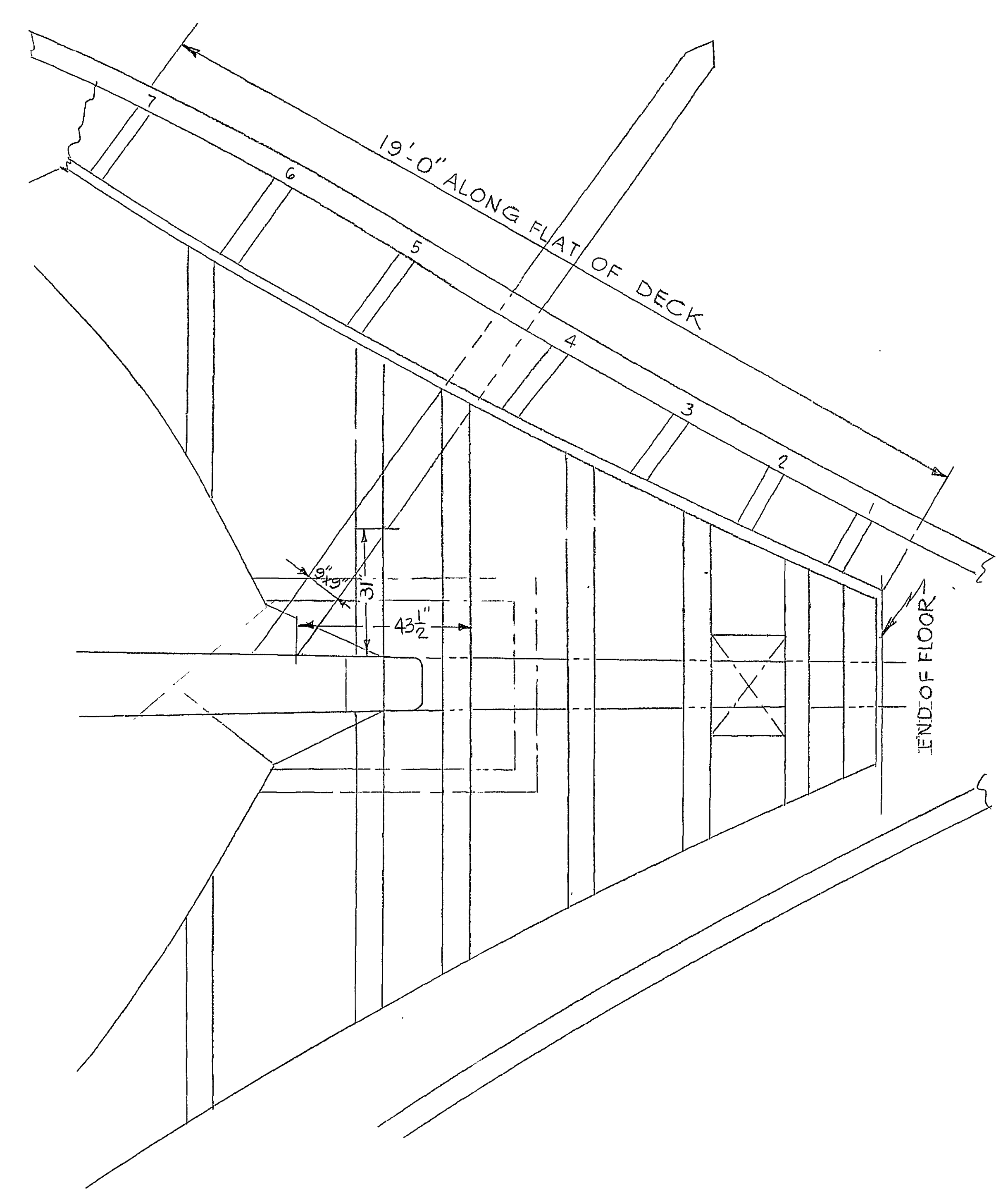
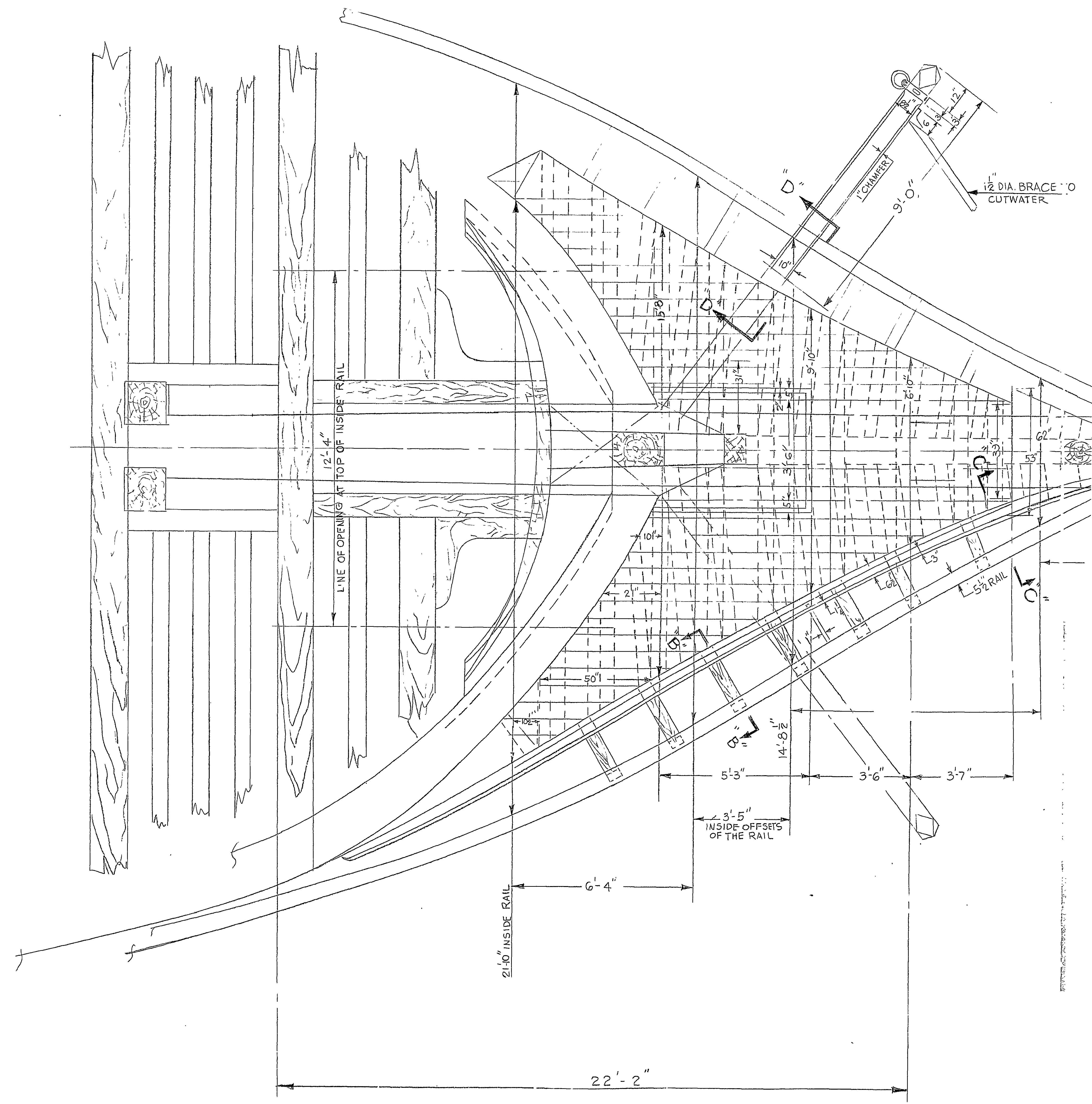


SECT. "D-D"  
NO SCALE

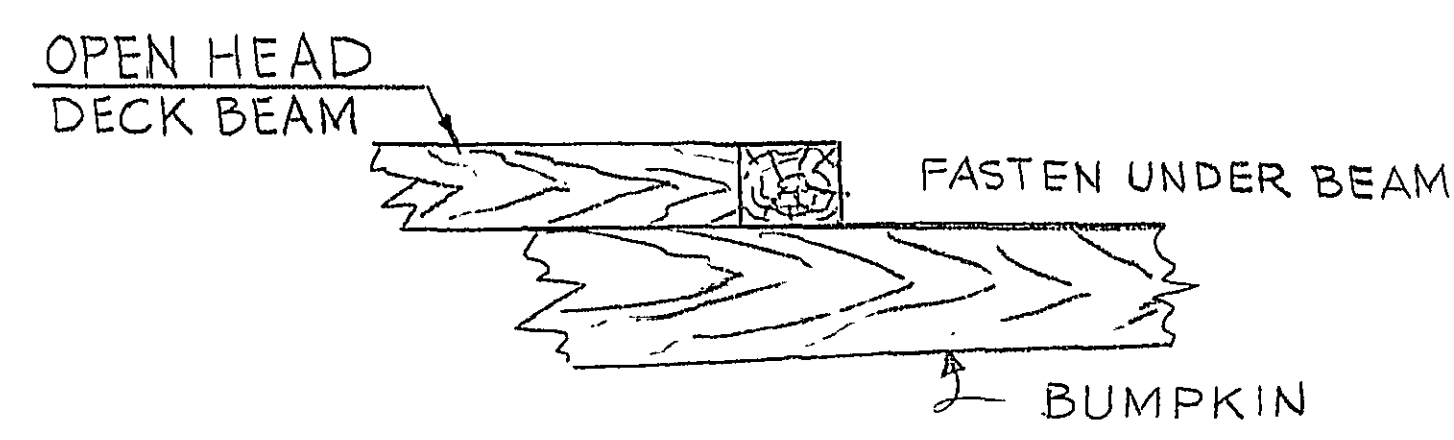


PLAN VIEW  
OPEN HEAD DECKING REMOVED  
SCALE:  $\frac{1}{2}'' = 1'-0''$

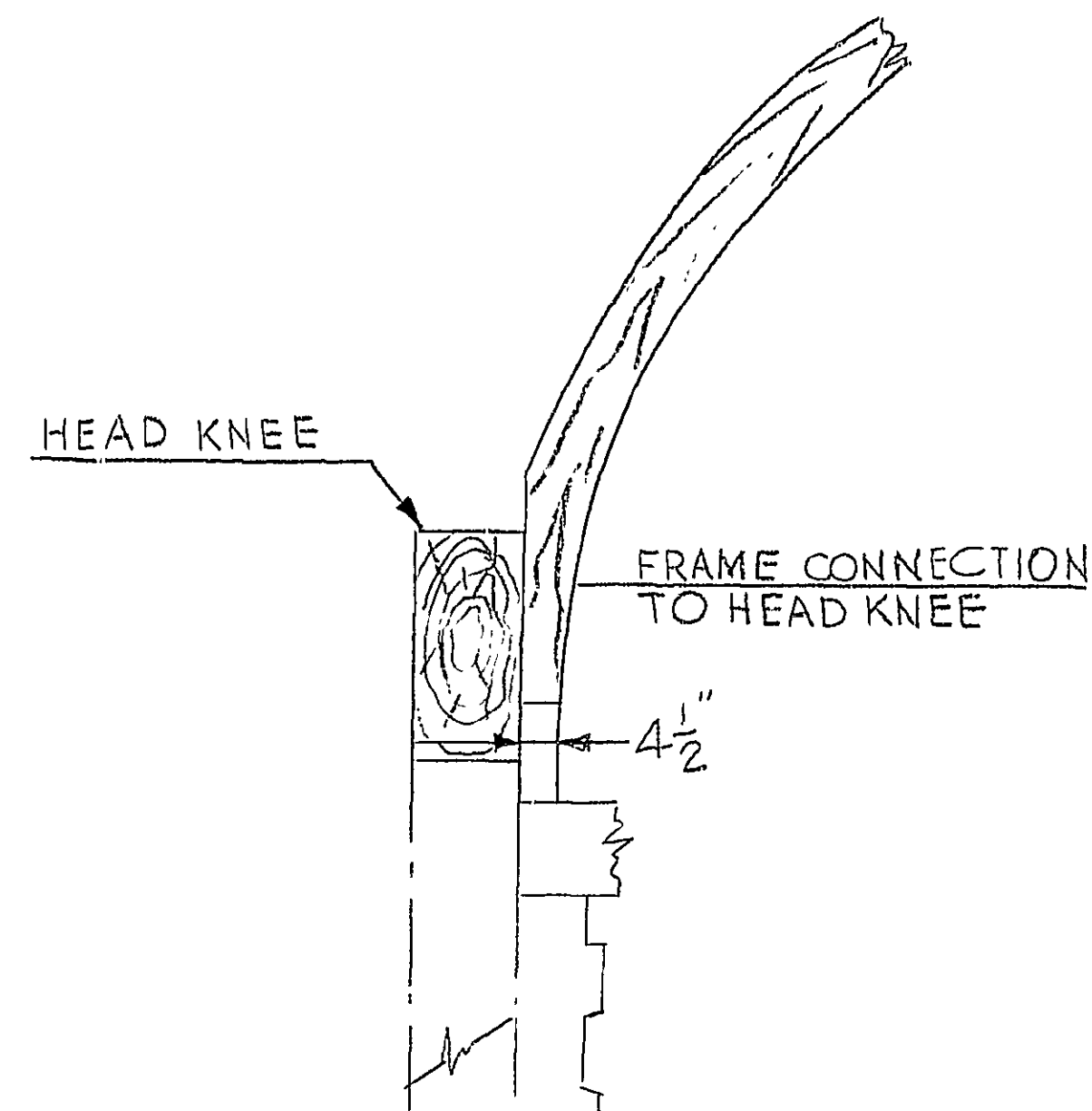


PLAN VIEW  
SCALE:  $\frac{1}{2}'' = 1'-0''$

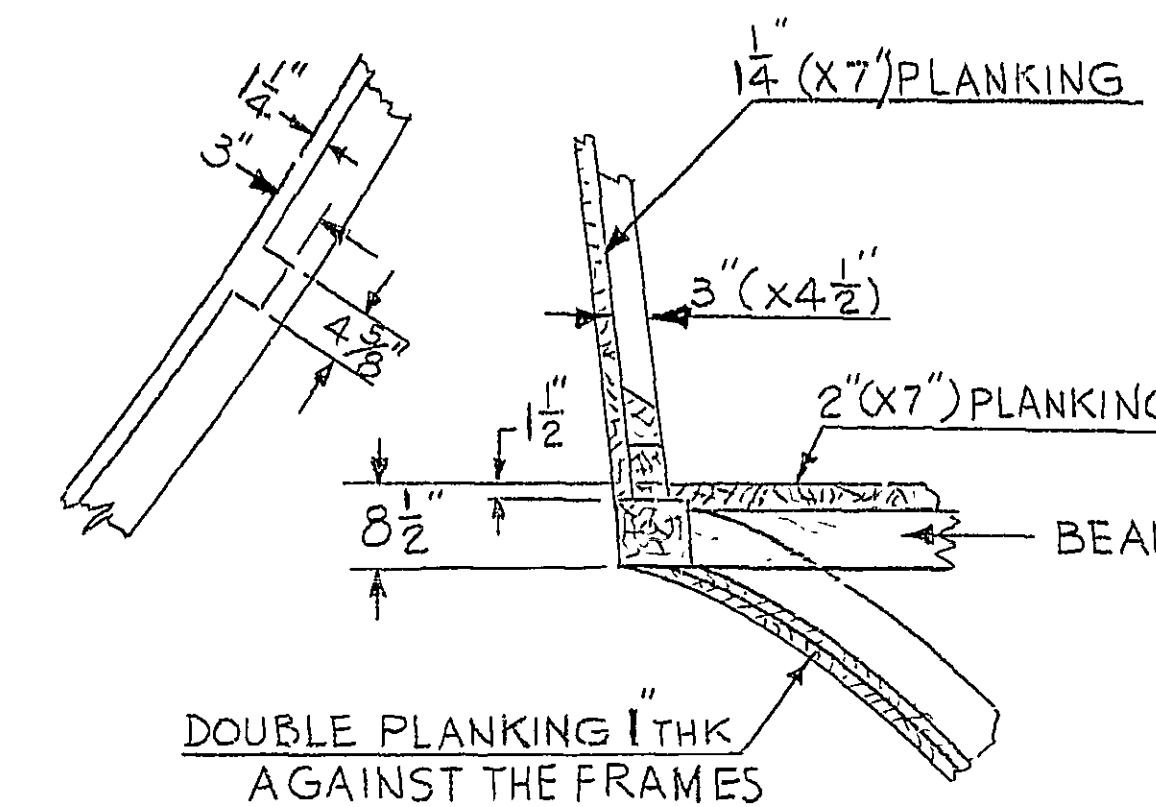
THIS DRAWING WAS PREPARED FROM 1929 RESTORATION AND SKETCHES. DRAWING AND PRESENTATION ARE TYPICAL OF THAT



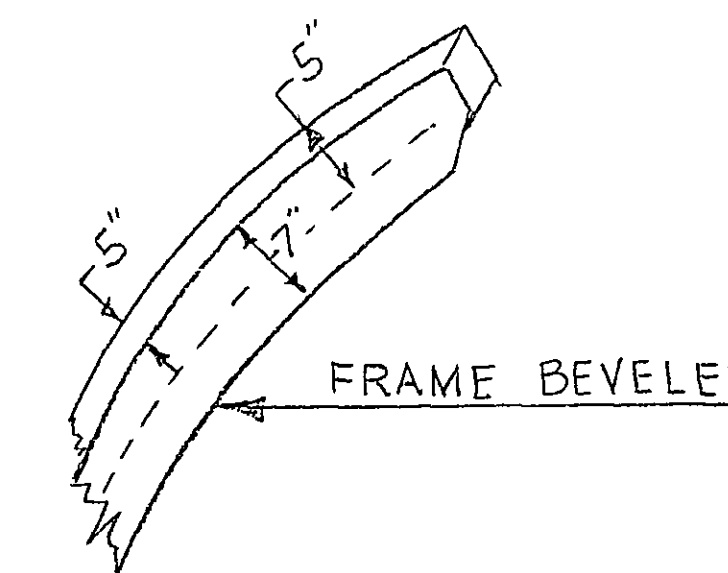
SECT. "D-D"  
NO SCALE



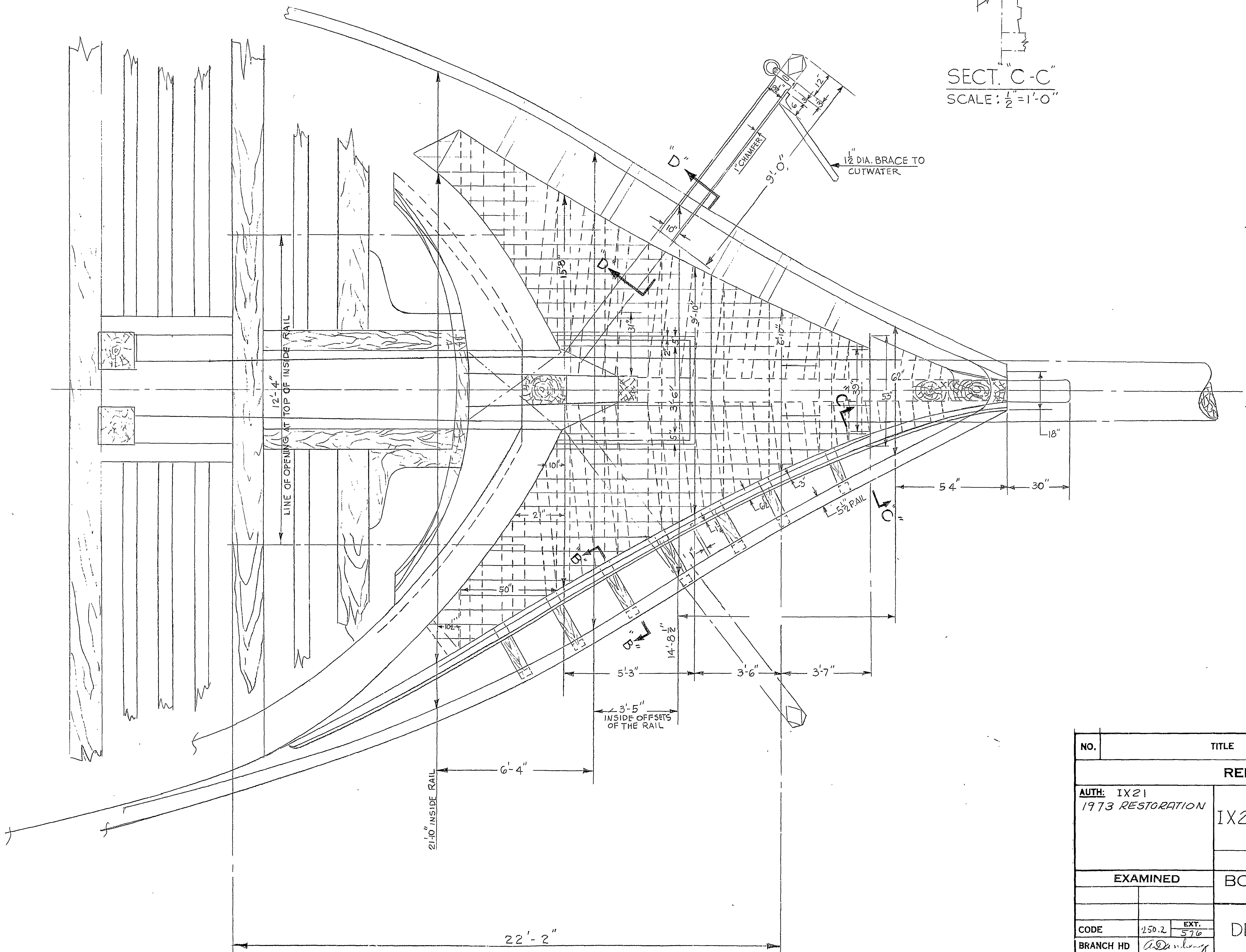
SECT. "C-C"  
SCALE: 1/2" = 1'-0"



SECT. B-B  
SCALE: 1/2" = 1'-0"



TYP. DETAIL  
NO SCALE



PLAN VIEW  
SCALE: 1/2" = 1'-0"

THIS DRAWING WAS PREPARED FROM 1929 RESTORATION DRAWINGS AND SKETCHES. DRAWING METHODS AND PRESENTATION SHOWN ARE TYPICAL OF THAT ERA.

NO.	TITLE	DWG NO.		
<b>REFERENCES</b>				
AUTH: IX21 1973 RESTORATION	IX21 USS CONSTITUTION			
SHIP IDENT. NO. & NAME				
EXAMINED		BOSTON NAVAL SHIPYARD BOSTON, MASS. 02129		
CODE 250.2	EXT. 570	DECK FRAMING FORWARD OF STERN AND FORE TACK BUMPKIN		
BRANCH HD				
CHECKED				
DRAWN				
APPD FOR DESIGN DIV	DATE 4-30-74	SIZE CODE IDENT. NO.	DWG NO.	REV
APPD (OTHER THAN DESIGN DIV)		H 00060/IX21	25175	~
SCALE: ~		SHEET 1 OF 1		