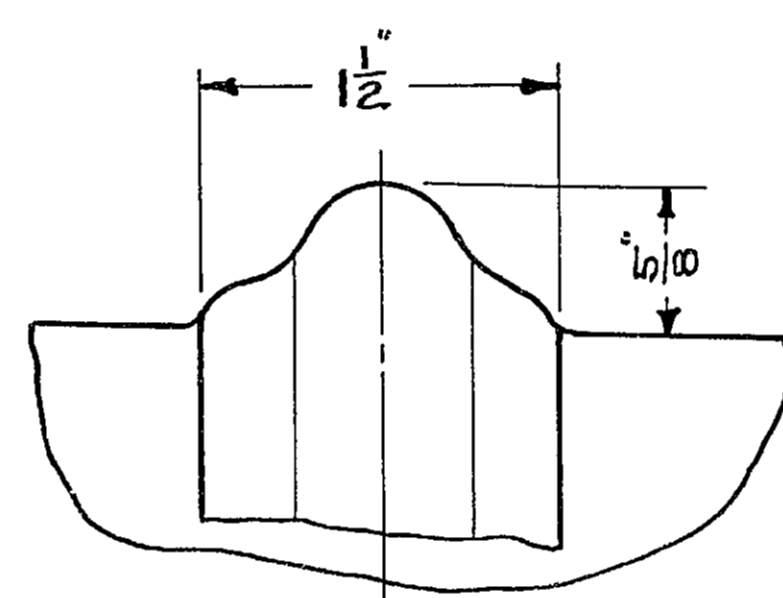
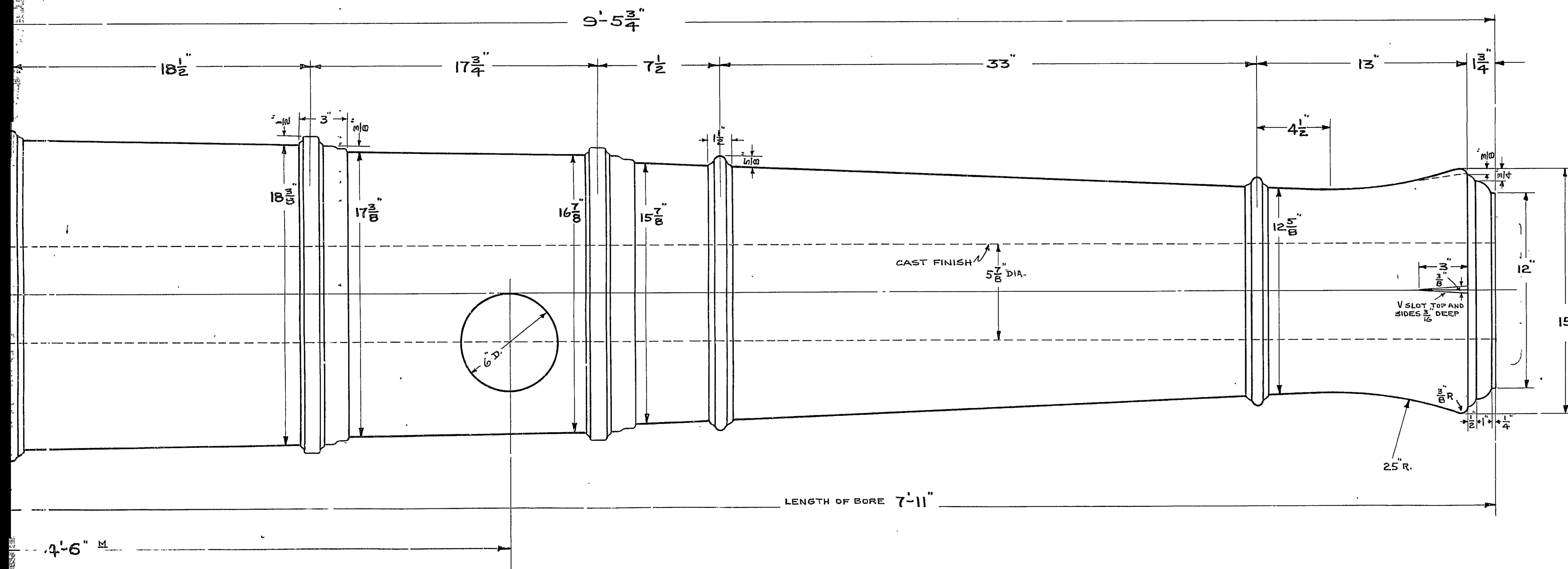


FULL SIZE DETAIL



FULL SIZE DETAIL



REFERENCE PLANS

24 PDR. GUN - ENGLISH TYPE - GUN DECK	PLAN NO 22128
32 PDR. CARRONADE GUN - SPAR DECK	" " 21250
24 PDR. GUN - (18 PDR. BORED FOR 24 PDR) BOW CHASER	" " 22361
GUN CARRIAGES FOR 24 PDR. GUNS - GUN DECK	" " 22130
GUN CARRIAGES FOR 32 PDR. CARRONADE GUNS	" " 22364
GUN CARRIAGES FOR 24 PDR. BOW CHASERS	" " 22362

THE GUN DECK BATTERY OF THE CONSTITUTION WAS 30-24 PDR. GUNS CONSISTING OF 18-LONG 24 PDR. GUNS OF ENGLISH MFG. AND 12 SHORT 24 PDR. GUNS OF AMERICAN MFG.

THE 24 PDR. AMERICAN GUN AS SHOWN HAS BEEN DRAWN FROM RELIABLE DATA ON THE AMERICAN GUNS AS CARRIED BY THE U.S. FRIGATE UNITED STATES SISTER SHIP OF THE CONSTITUTION.

THE TYPE OF 24 PDR GUNS AS CARRIED BY THE CONSTITUTION DURING THE YEARS 1812-1814 HAS BEEN A SUBJECT OF EXHAUSTIVE RESEARCH.

THE 12-24 PDR. GUNS OF AMERICAN MFG. TO BE LOCATED IN THE THREE FORWARD AND THREE AFTER GUN PORTS, PORT AND STBD, ON THE GUN DECK.

OUTER SURFACE OF GUN TO BE A CAST FINISH, ALL IMPERFECTIONS TO BE REMOVED AND SURFACE GROUND SMOOTH

NUMBER REQUIRED - 12  
 MATERIAL - GREY CAST IRON - CLASS C  
 WT. 5130 LBS.

CORRECTED FOR FINISHED PLAN

RESTORATION 1927-1931  
 U.S. FRIGATE CONSTITUTION  
 GUN DECK BATTERY  
 24 PDR GUN - AMERICAN TYPE

NAVY YARD BOSTON SEPTEMBER 1930

SCALE 3" = 1 FT.

APPROVED FOR MANAGER

*John A. Long*  
 LIEUT. (C.C.) U. S. N.  
 SUPT. OF RESTORATION