

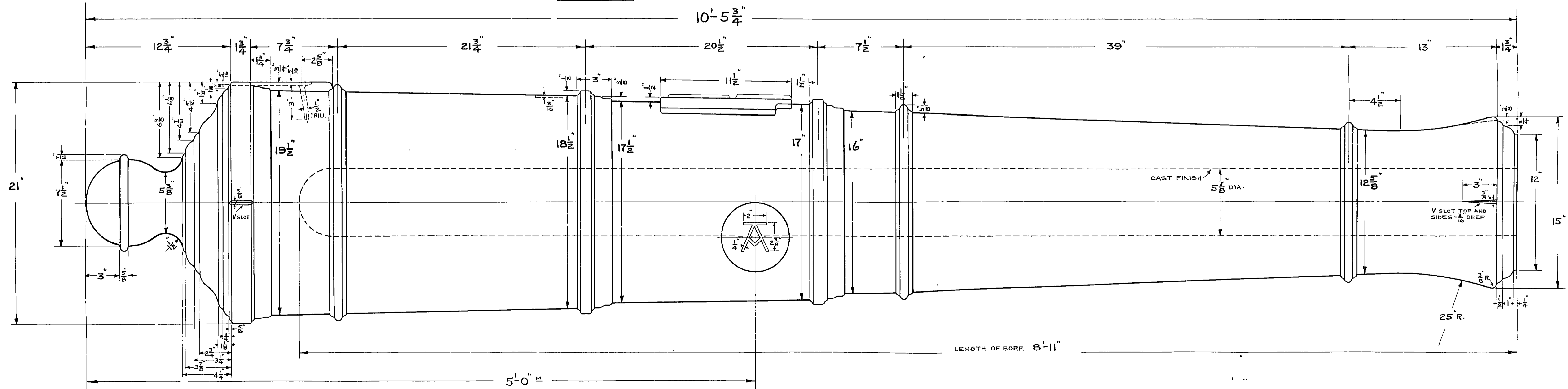
-- REFERENCE PLANS --

24 PDR GUN - AMERICAN TYPE - GUN DECK	PLAN NO 22129
32 PDR CARRONADE GUN - SPAR DECK	" " 21250
24 PDR GUN - (18 PDR BORED FOR 24 PDR) BOW CHASER	" " 22361
GUN CARRIAGES FOR 24 PDR GUNS - GUN DECK	" " 22130
GUN CARRIAGES FOR 32 PDR CARRONADE GUNS	" " 22364
GUN CARRIAGES FOR 24 PDR BOW CHASERS	" " 22362

THE GUN DECK BATTERY OF THE CONSTITUTION WAS 30 - 24 PDR. GUNS CONSISTING OF 18 - LONG 24 PDR. GUNS OF ENGLISH MFG. AND 12 - SHORT 24 PDR. GUNS OF AMERICAN MFG.

THE 24 PDR. ENGLISH GUN AS SHOWN HAS BEEN DRAWN FROM RELIABLE DATA ON THE ENGLISH GUNS AS CARRIED BY THE U.S. FRIGATE UNITED STATES, SISTER SHIP OF THE CONSTITUTION, THESE GUNS BORE THE DATE 1790, ENGLISH CROWN AND G.R. - ALSO EXISTING GUNS OF SIMILAR SIZE AND TYPE HAVE BEEN EXAMINED AND CHECKED.

THE TYPE OF 24 PDR. GUNS AS CARRIED BY THE CONSTITUTION DURING THE YEARS 1812-1814 HAS BEEN A SUBJECT OF EXHAUSTIVE RESEARCH.



OUTER SURFACE OF GUN TO BE A CAST FINISH, ALL IMPERFECTIONS TO BE REMOVED AND SURFACE GROUND SMOOTH

NUMBER REQUIRED - 18
 MATERIAL - GREY CAST IRON - CLASS C
 WT. 5730 LBS.

CORRECTED FOR FINISHED PLAN

RESTORATION 1927-1931

U.S. FRIGATE CONSTITUTION

GUN DECK BATTERY

24 PDR GUN - ENGLISH TYPE

NAVY YARD BOSTON SEPTEMBER 1930

SCALE 3"=1 FT.

APPROVED FOR MANAGER

John A. Lord

LIEUTENANT U. S. N.
 SUPT. OF RESTORATION