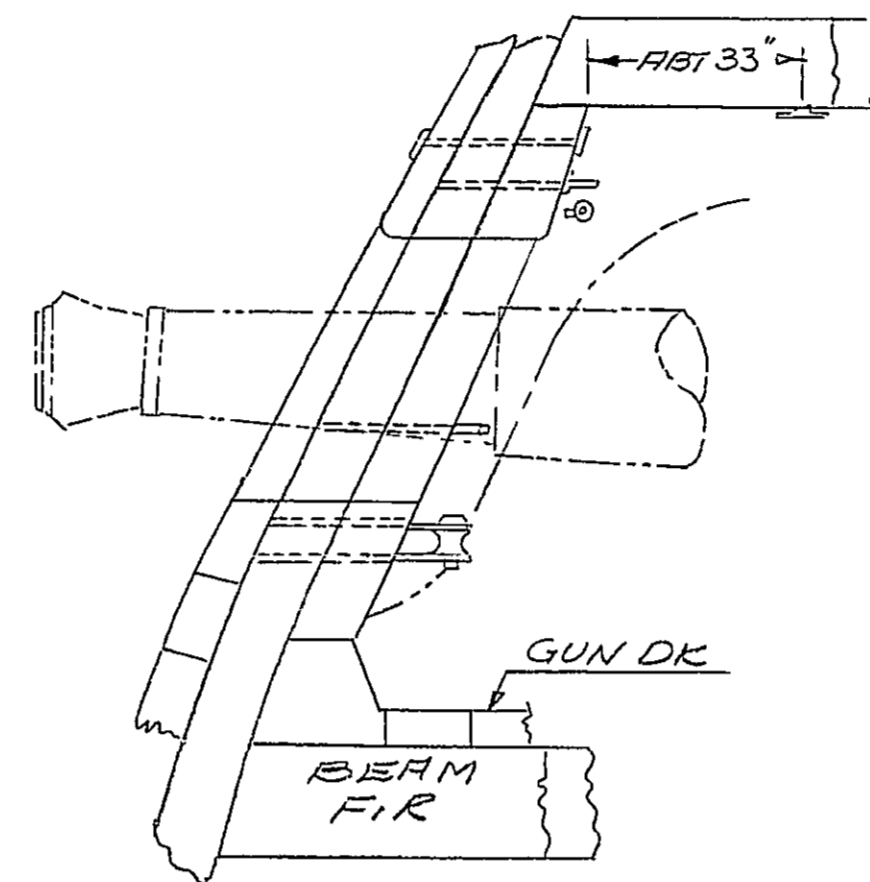
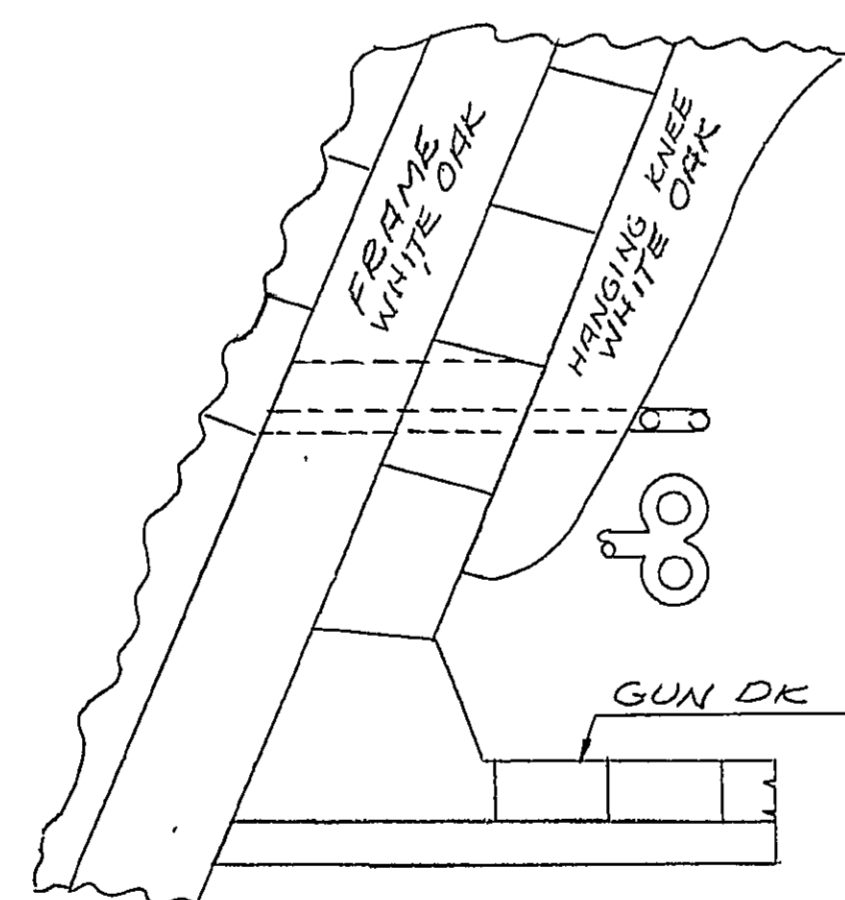


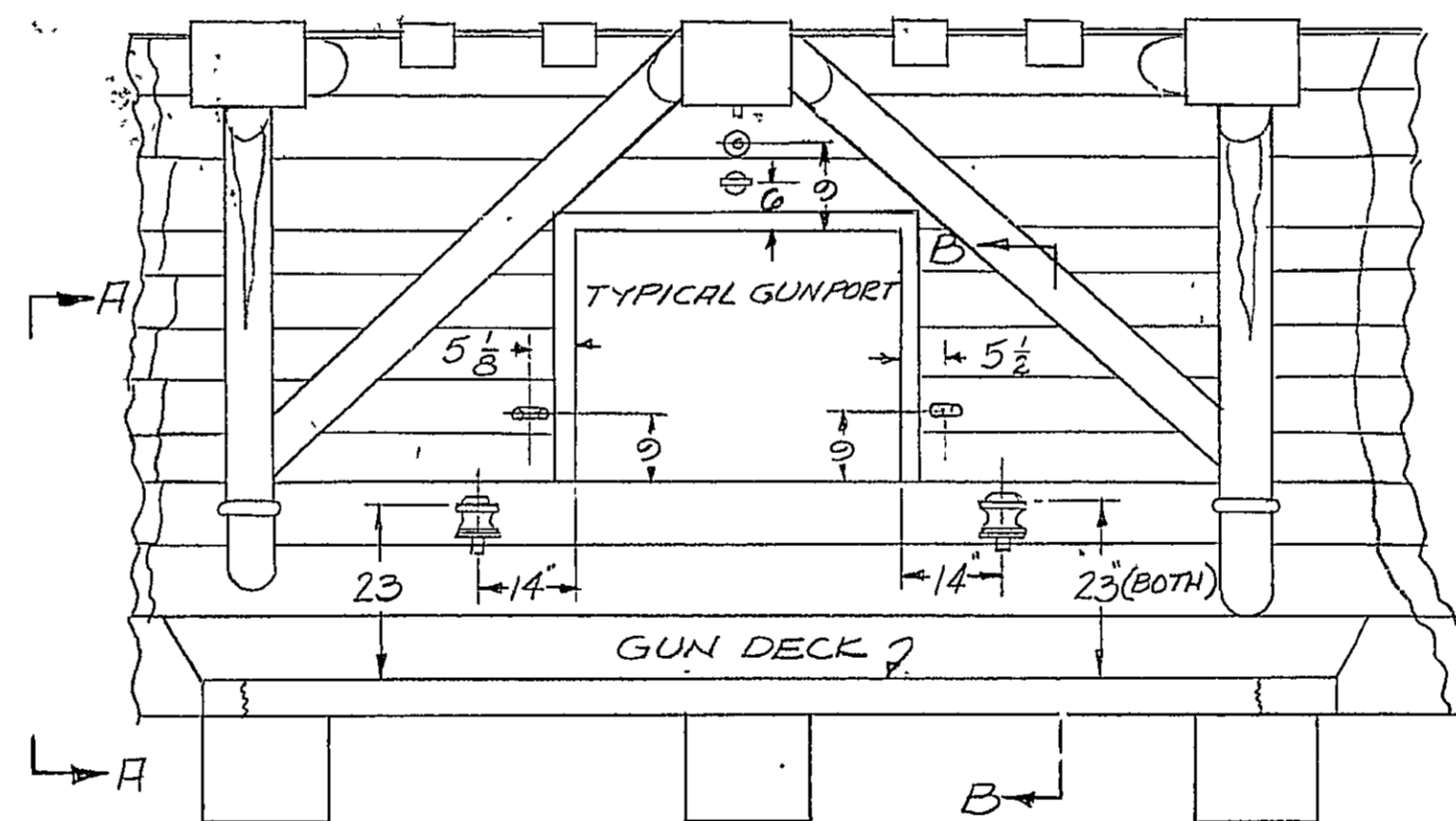
SECT B-B



ELEVATION FWD & AFT



SECT. A-A



ELEVATION: LOOKING OUTBOARD

U.S. FRIGATE CONSTITUTION  
 SKETCH  
 SHOWING LOCATIONS & METHOD OF FASTENING  
 FITTINGS AROUND TYPICAL GUNPORT ON GUN DECK  
 NAVY YARD, BOSTON JAN. 1929  
 SCALE: 1/2" = 1 FT

APPROVED FOR MANAGER  
*John O. Lord*  
 SUPT OF RESTORATION

THIS DRAWING WAS PREPARED FROM 1929  
 RESTORATION DRAWINGS AND SKETCHES.  
 DRAWING METHODS AND PRESENTATION  
 SHOWN ARE TYPICAL OF THAT ERA.

NO.		TITLE		NAVSHIPS DWG NO.	
REFERENCES					
AUTH:					
		1 X21 USS CONSTITUTION			
		SHIP IDENT. NO. & NAME			
EXAMINED		BOSTON NAVAL SHIPYARD			
		BOSTON, MASS. 02129			
CODE	2802	EXT.			
BRANCH HD					
CHECKED					
DRAWN	T.C. ANASTOS	DATE	SIZE	CODE IDENT. NO.	BOSTON DWG NO.
APPD FOR DESIGN DIV			H	80060/x21	50964
APPD (OTHER THAN DESIGN DIV)			SCALE:		SHEET 1 OF 1