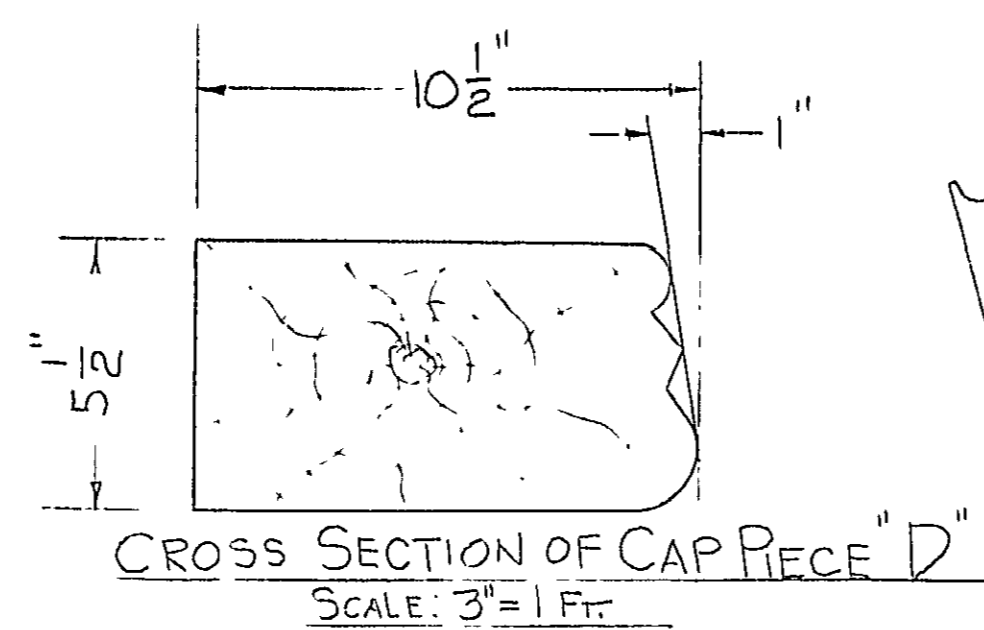
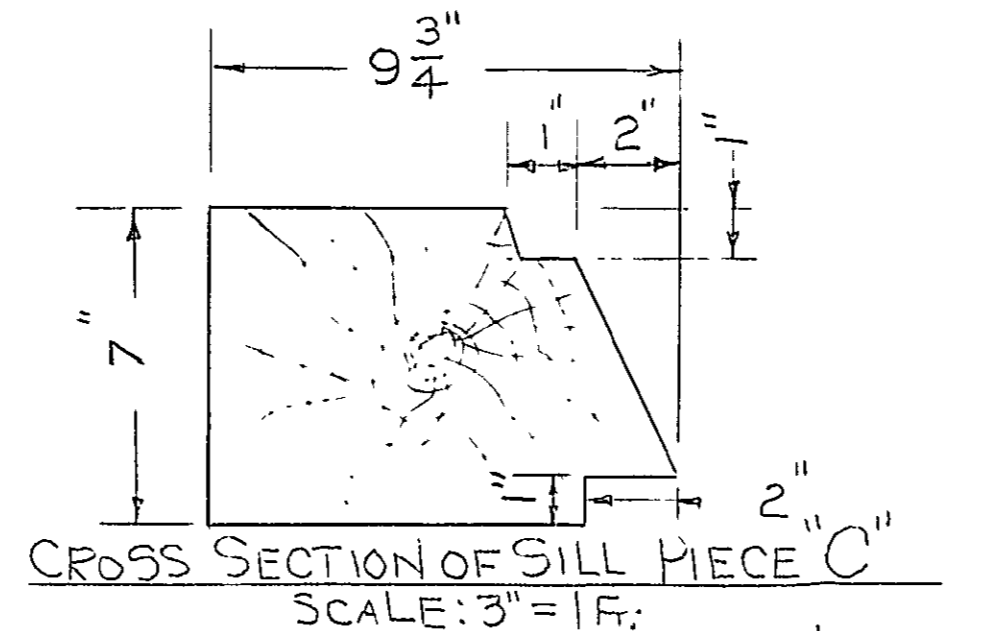


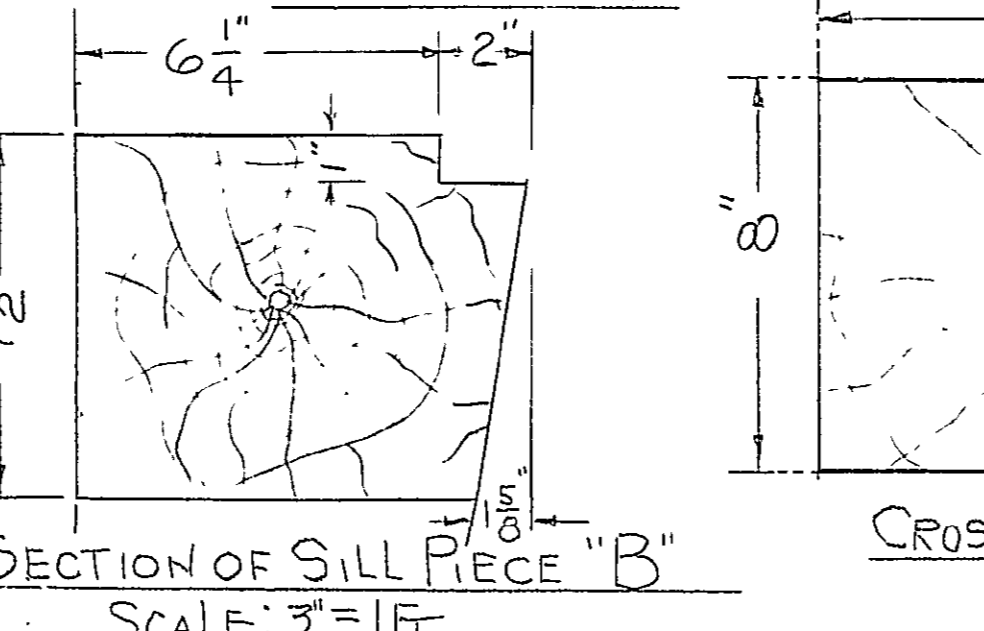
CROSS SECTION OF PIECE "E"
SCALE: 3" = 1 FT.



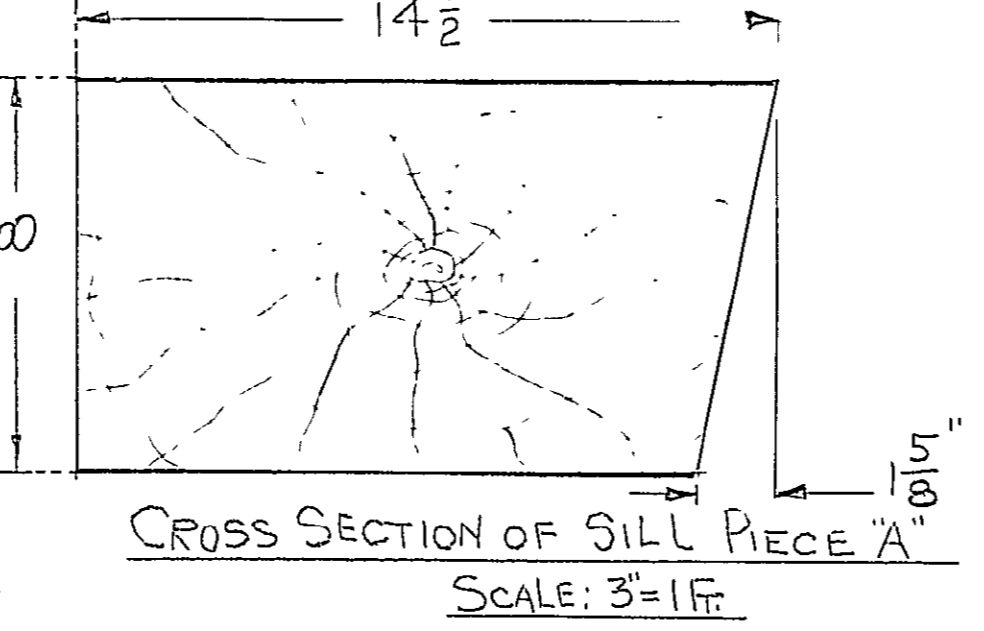
CROSS SECTION OF CAP PIECE "D"
SCALE: 3" = 1 FT.



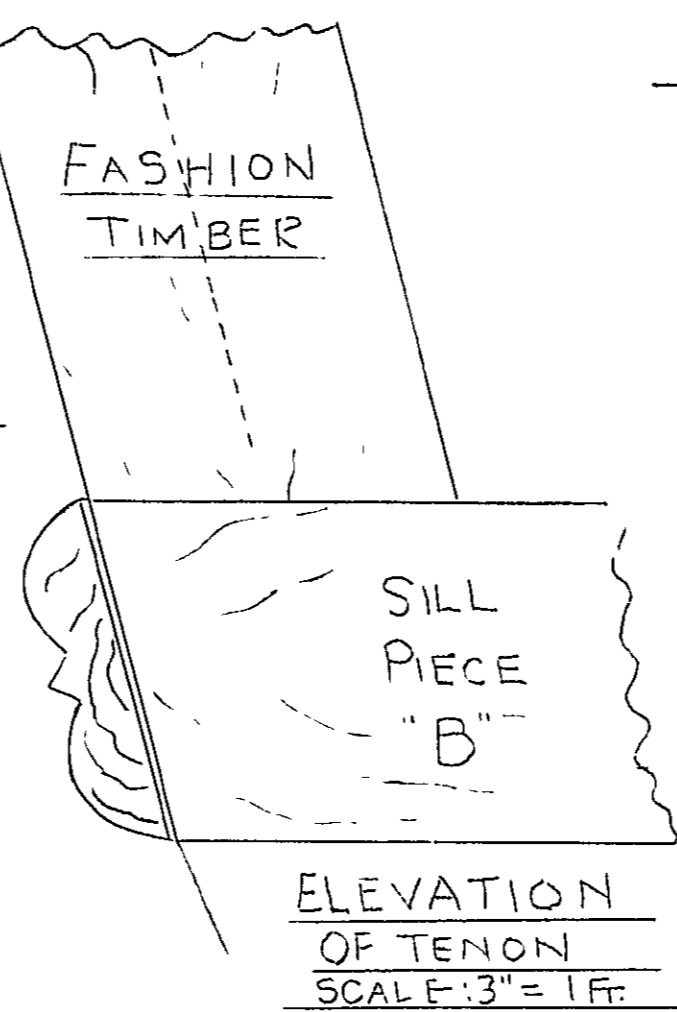
CROSS SECTION OF SILL PIECE "C"
SCALE: 3" = 1 FT.



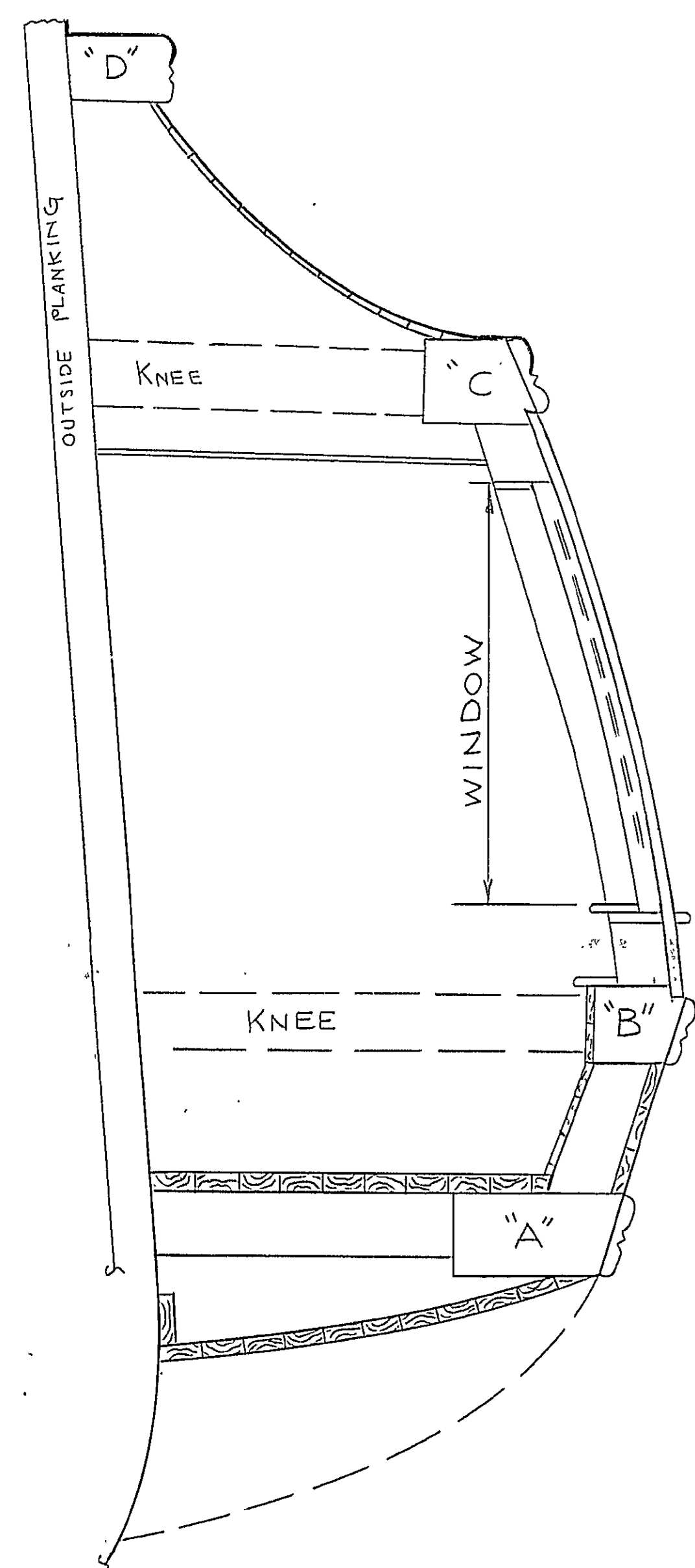
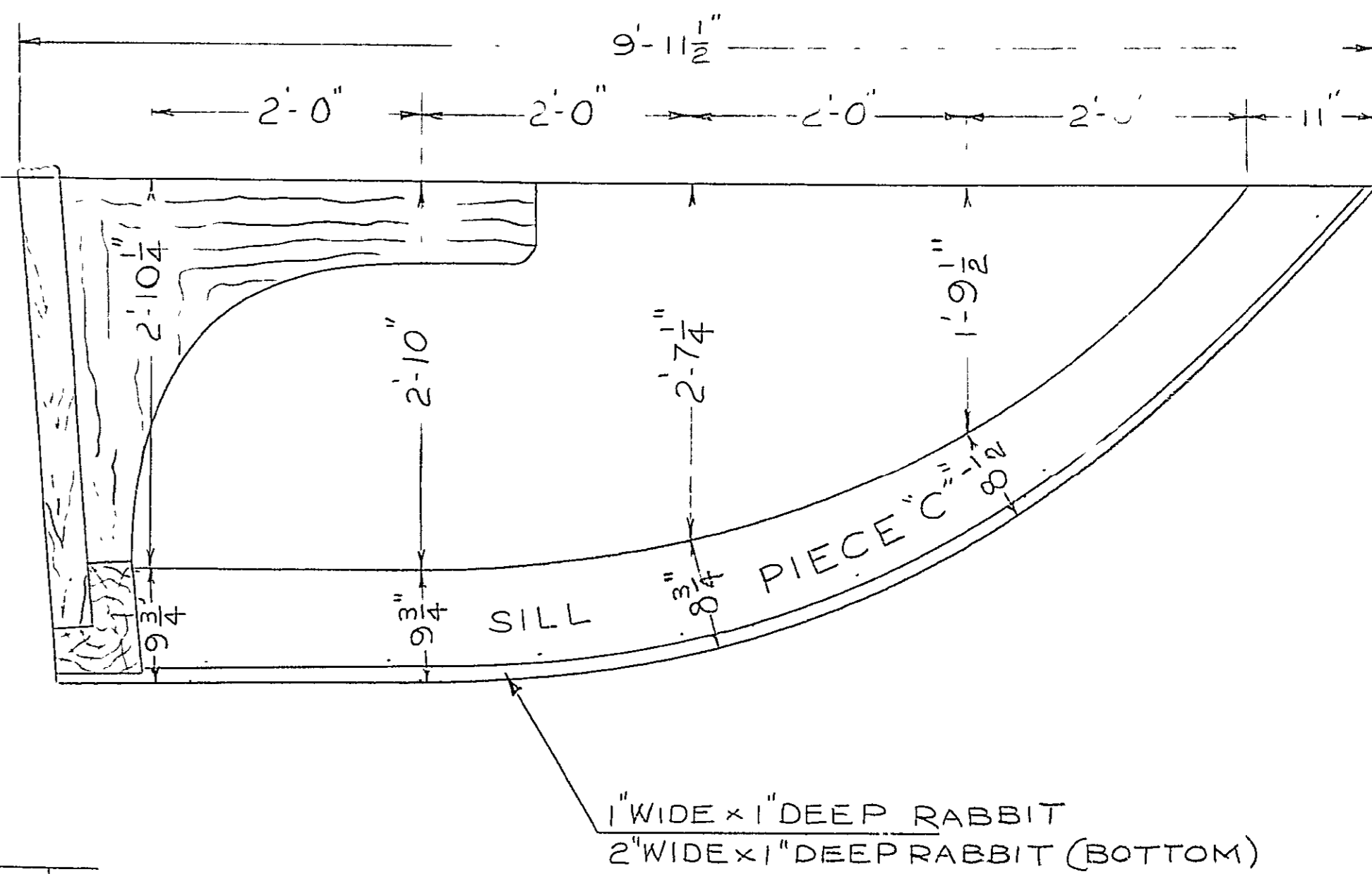
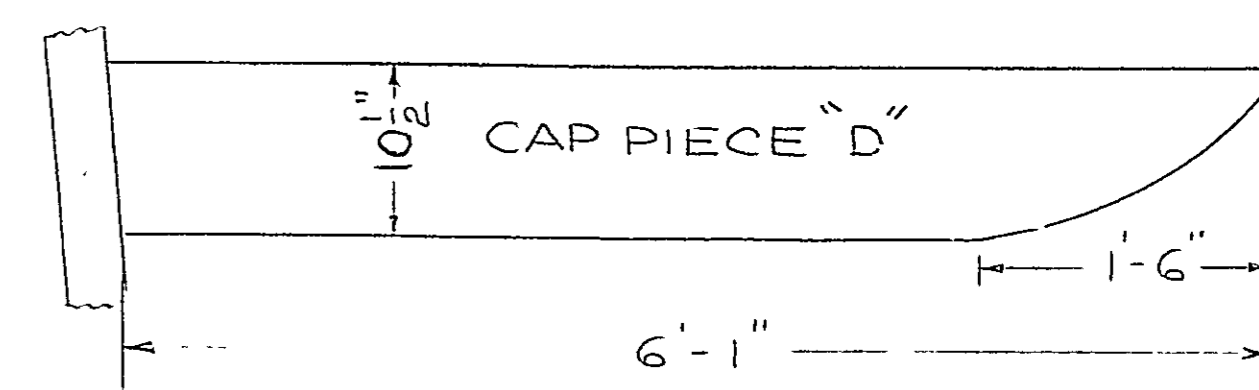
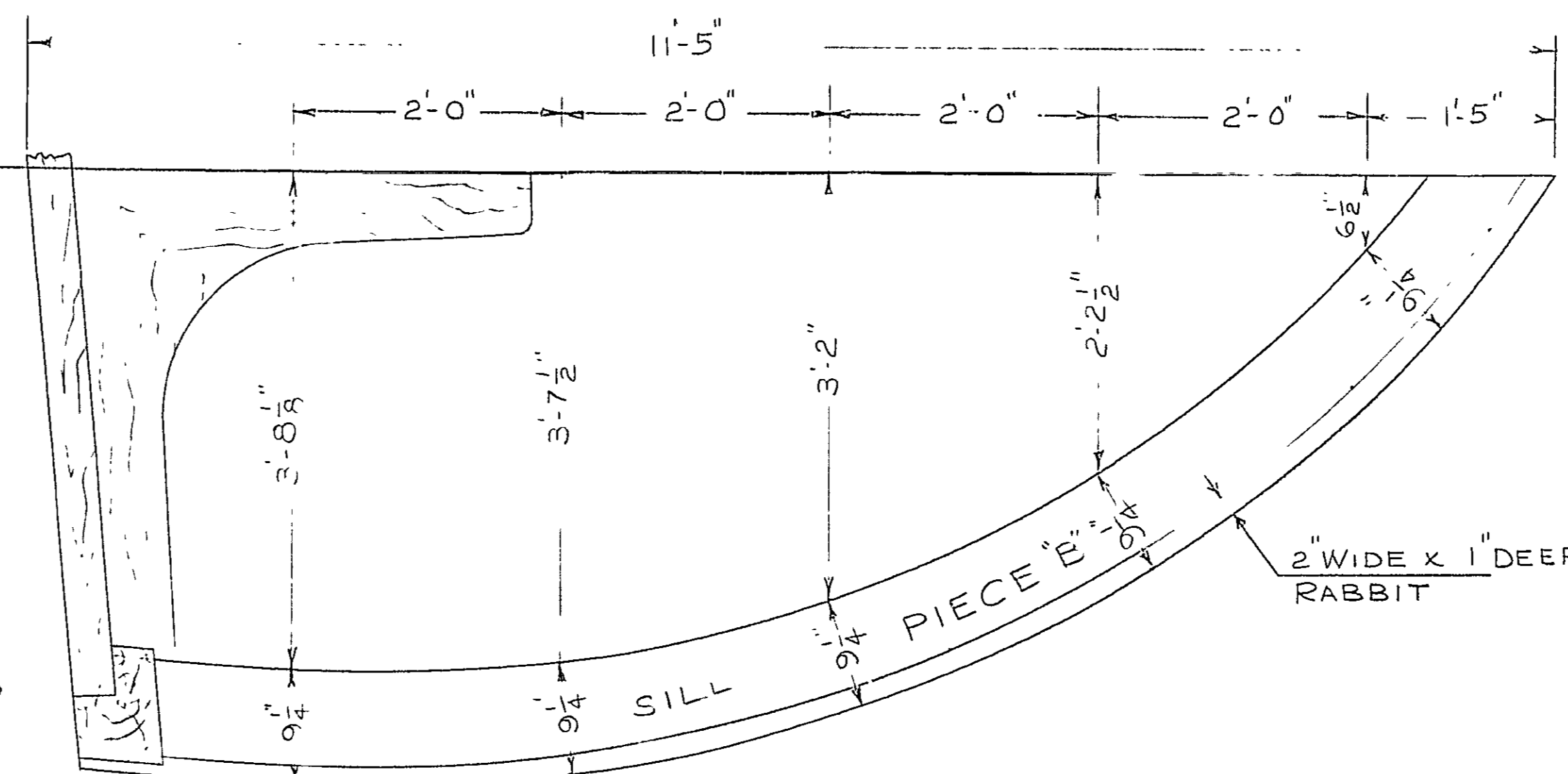
CROSS SECTION OF SILL PIECE "B"
SCALE: 3" = 1 FT.



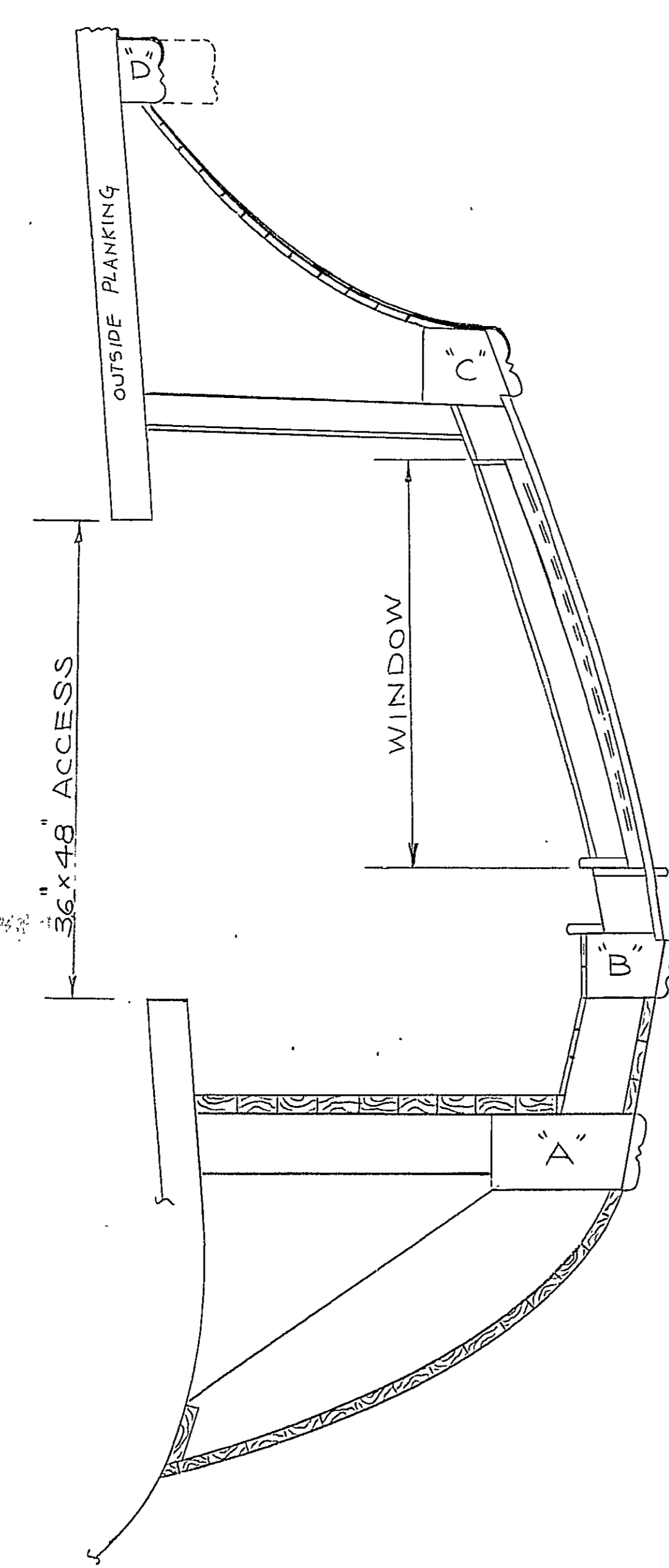
CROSS SECTION OF SILL PIECE "A"
SCALE: 3" = 1 FT.



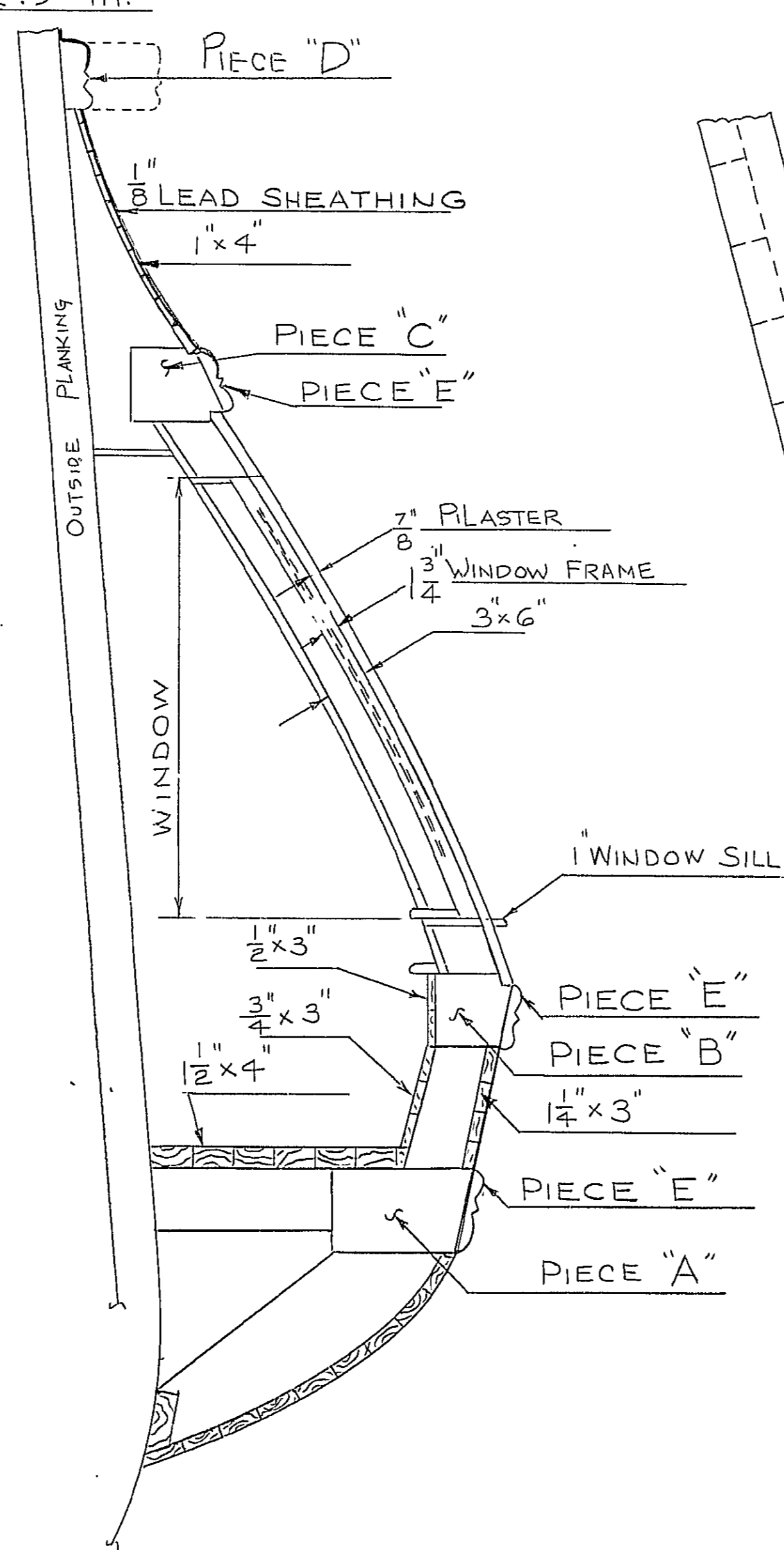
ELEVATION OF TENON
SCALE: 3" = 1 FT.



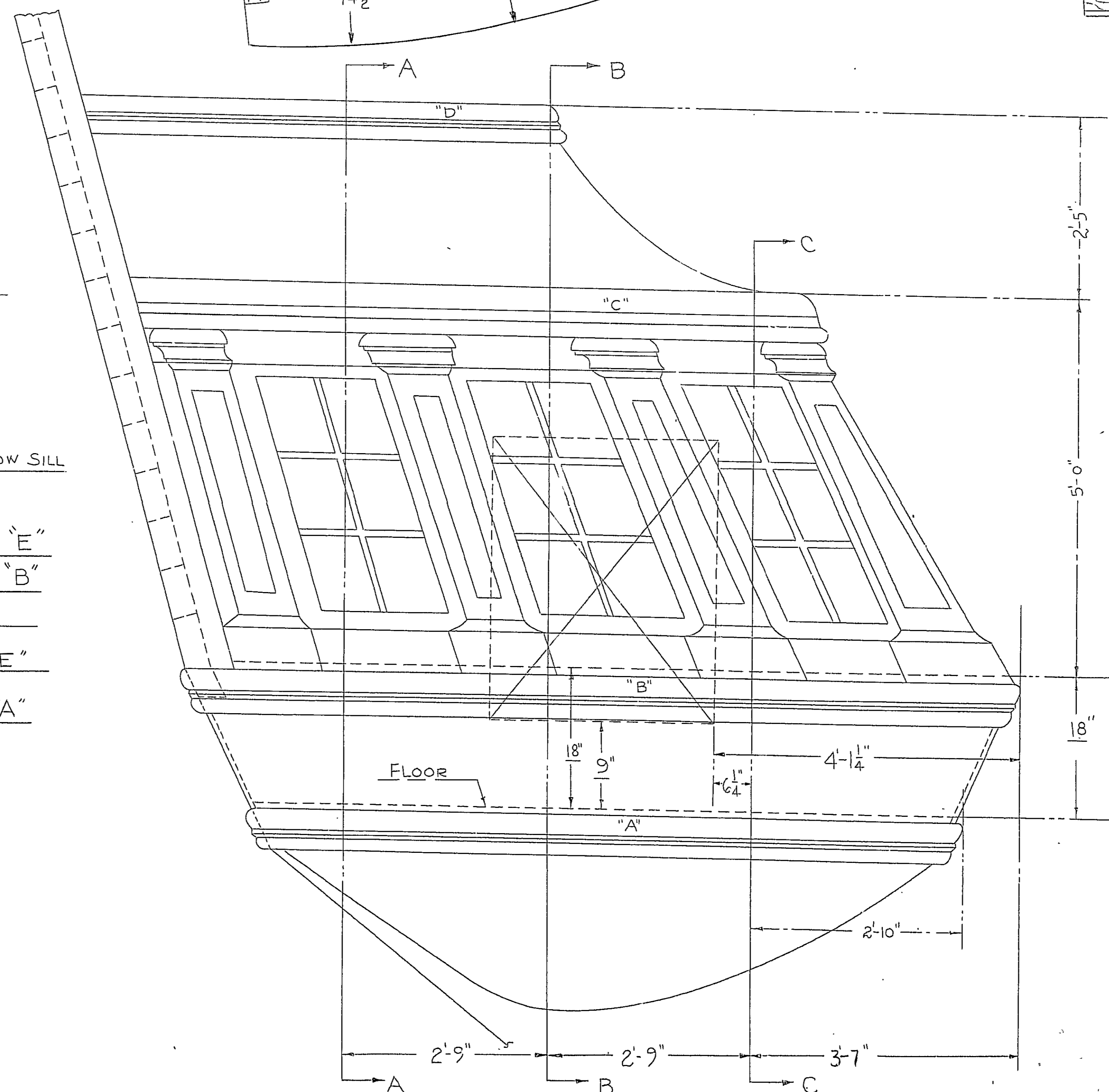
SECTION "A-A"
SCALE: 1" = 1 FT.
LOOKING FORWARD



SECTION "B-B"
SCALE: 1" = 1 FT.
LOOKING FORWARD



SECTION "C-C"
SCALE: 1" = 1 FT.
LOOKING FORWARD



ELEVATION OF QUARTER GALLERY AT SIDE
STARBOARD SIDE SHOWN, PORT SIM TO OPPOSITE HAND
SCALE 1" = 1 FT.

NOTE: DIMENSIONS GIVEN ARE ON LINE OF SHEER

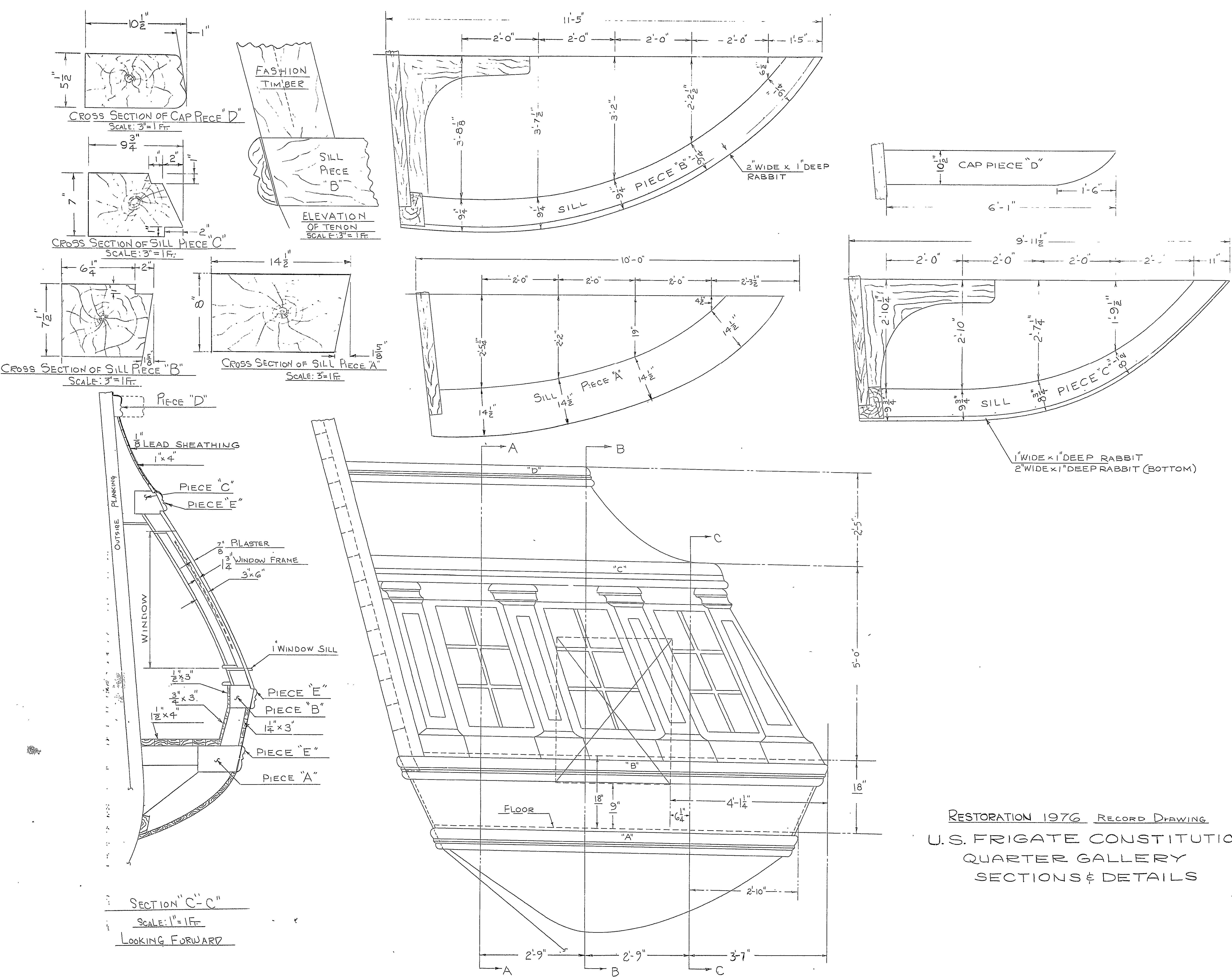
FOR LIST OF
"THE
OF THE STA
SIGNATED I
INSTRUCTIO
OF 4 AUG.
DRAWING
INDICES SH

AUTH
BOARD
DEFICIEN

EXAM

CODE
BRANCH HD
CHECKED
DRAWN
APPD: [Signature]
FOR
DESIGN: DIV
APPD: [Signature]
OTHER: [Signature]

RESTORATION 1976 RECORD DRAWING
U.S. FRIGATE CONSTITUTION
QUARTER GALLERY
SECTIONS & DETAILS



RESTORATION 1976 RECORD DRAWING
 U.S. FRIGATE CONSTITUTION
 QUARTER GALLERY
 SECTIONS & DETAILS

ELEVATION OF QUARTER GALLERY AT SIDE
 STARBOARD SIDE SHOWN, PORT SIM TO OPPOSITE HAND
 SCALE 1" = 1 FT.

NOTE:
 DIMENSIONS GIVEN ARE ON
 LINE OF SHEER

REV		ZONE	DESCRIPTION	BY	DATE	APPD
A			APPROVAL SIGNATURE ADDED AT ISSUE		4/16/67	FJG

NO		TITLE	NAVSEA DWG NO

EXAMINED		REFERENCES
AUTH	BOARD OF INSPECTION DEFICIENCY ITEM #63	USF CONSTITUTION
		SHIP IDENT NO & NAME
		PORTSMOUTH NAVAL SHIPYARD
EXAMINED		BOSTON PLANNING GROUP
		BOSTON, MASS 02129
		QUARTER GALLERY, PORT & STBD
CODE	2050 EXT	QUARTER GALLERY PORT & STBD
BRANCH HD	Johnson	NAVSEA DWG NO
CHECKED	CLANCY	REV
DRAWN	HARRY	H 80060 / X.21
APPD FOR DESIGN DIV	F. Johnson, 4/16/67	1164649400 A
APPD (OTHER THAN DESIGN DIV)		SCALE 1" = 3" = 1'-0" SHEET 1 OF 1

40400

00400

JOB ORDER NO
 1011963

PROJECT
 133196101

ISSUES	DATE	BY
REVISION	A	
P & E		
SHIP SUPT		
SHIP		
NAVSEA SYSCOM		
PORTSMOUTH		
PHILADELPHIA		
ORFOLK		
HARLESTON		
QUY BEACH		
HARVARD		
HUNTERSPT		
PEARL HARBOR		
UPSHIP		
SPC MECH		
SD GLAKES		
USS		
CODE	2050.2.1	

OT, To be
 filed in
 Con S. Vault

00400