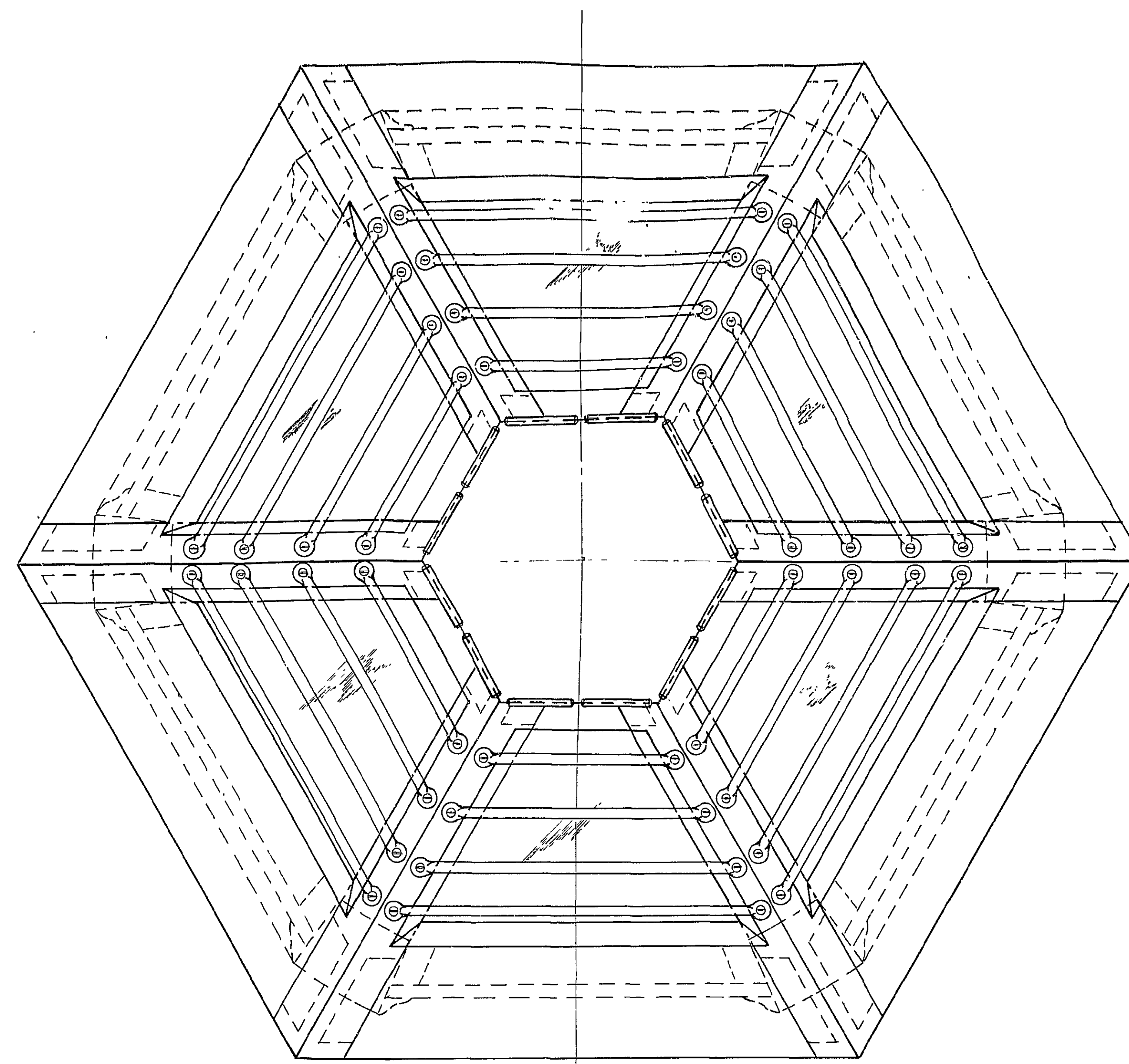
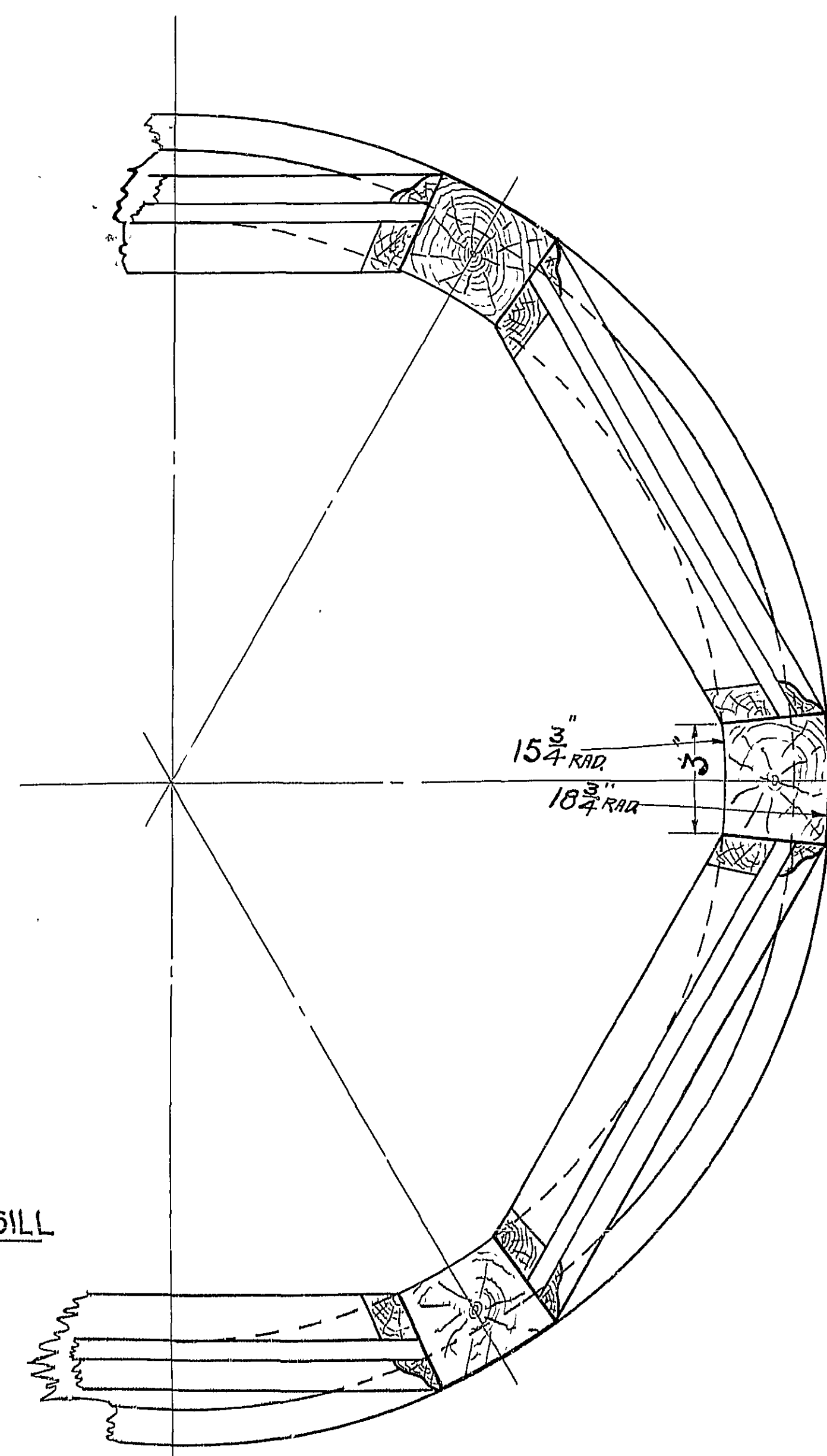


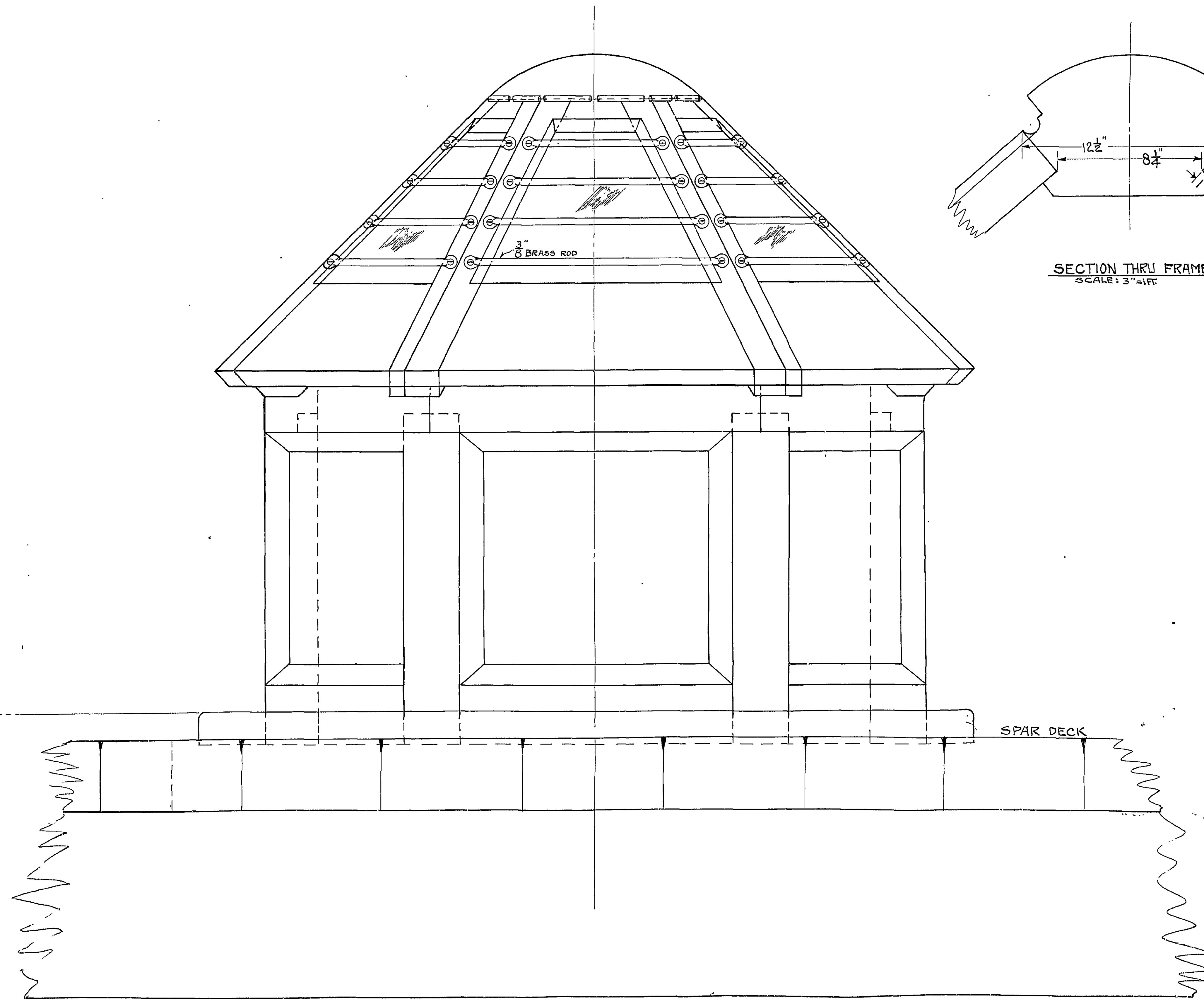
GRATING ROD (BRASS)  
MAKE 24 - LENGTH TO SUIT  
SCALE: FULL SIZE



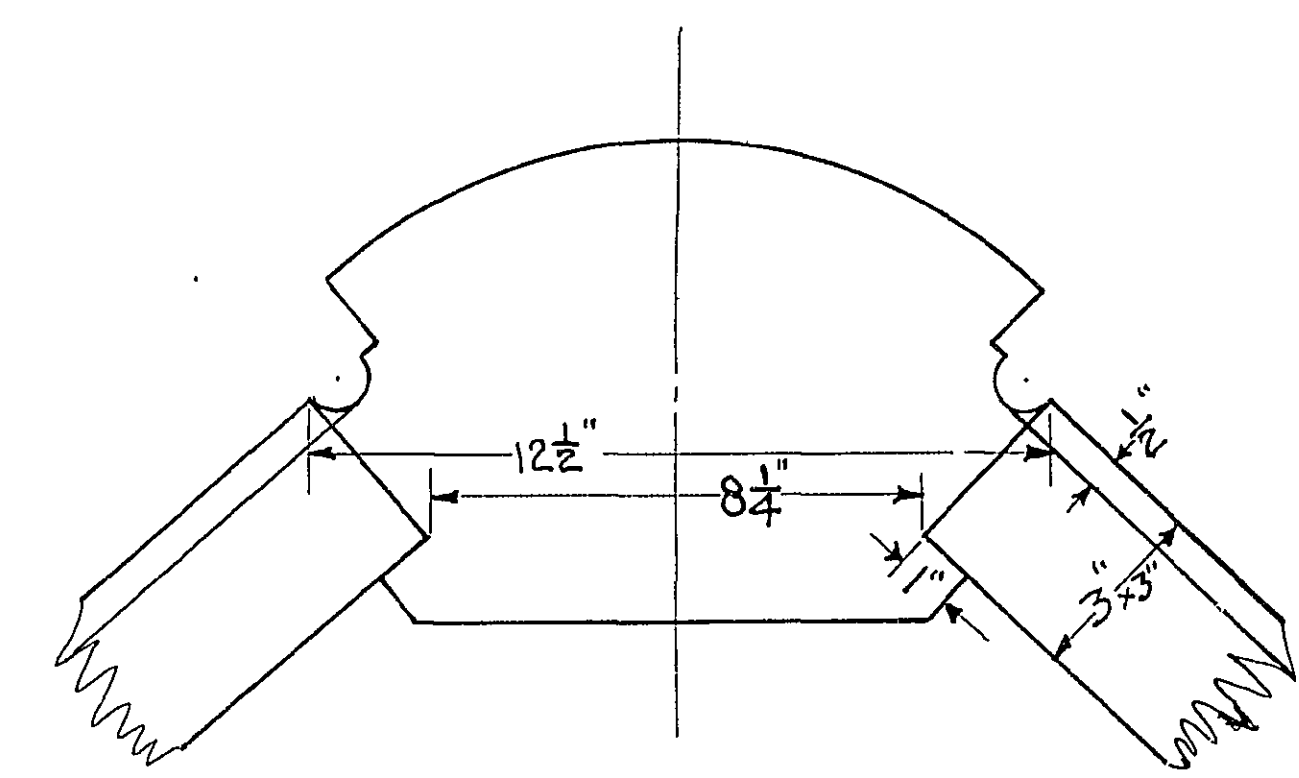
PLAN



SECTION AT BOTTOM SILL  
SCALE: 3"=1 FT.

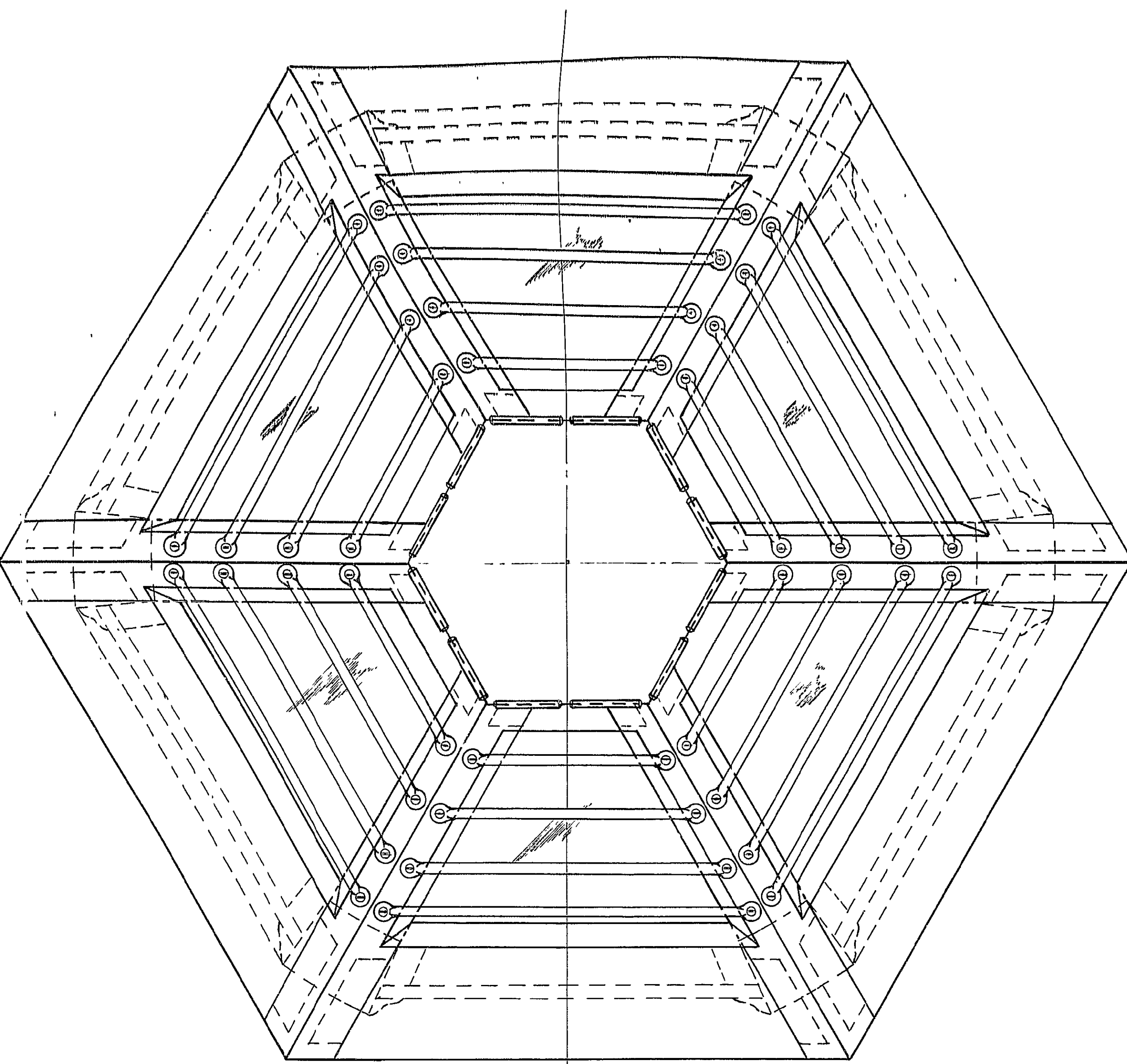


ELEVATION LOOKING AFT  
SCALE: 3"=1 FT.

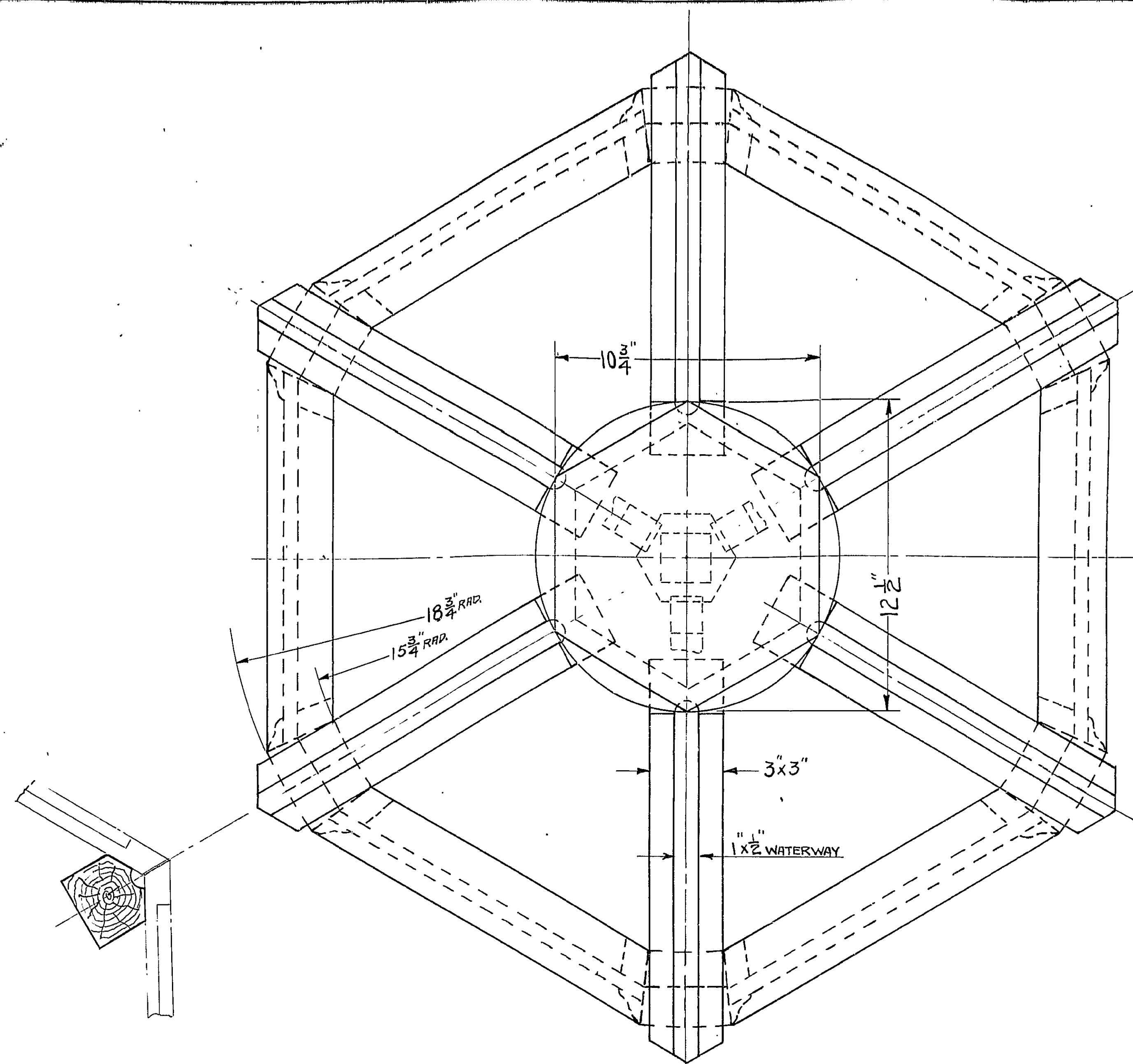


SECTION THRU FRAMES  
SCALE: 3"=1 FT.

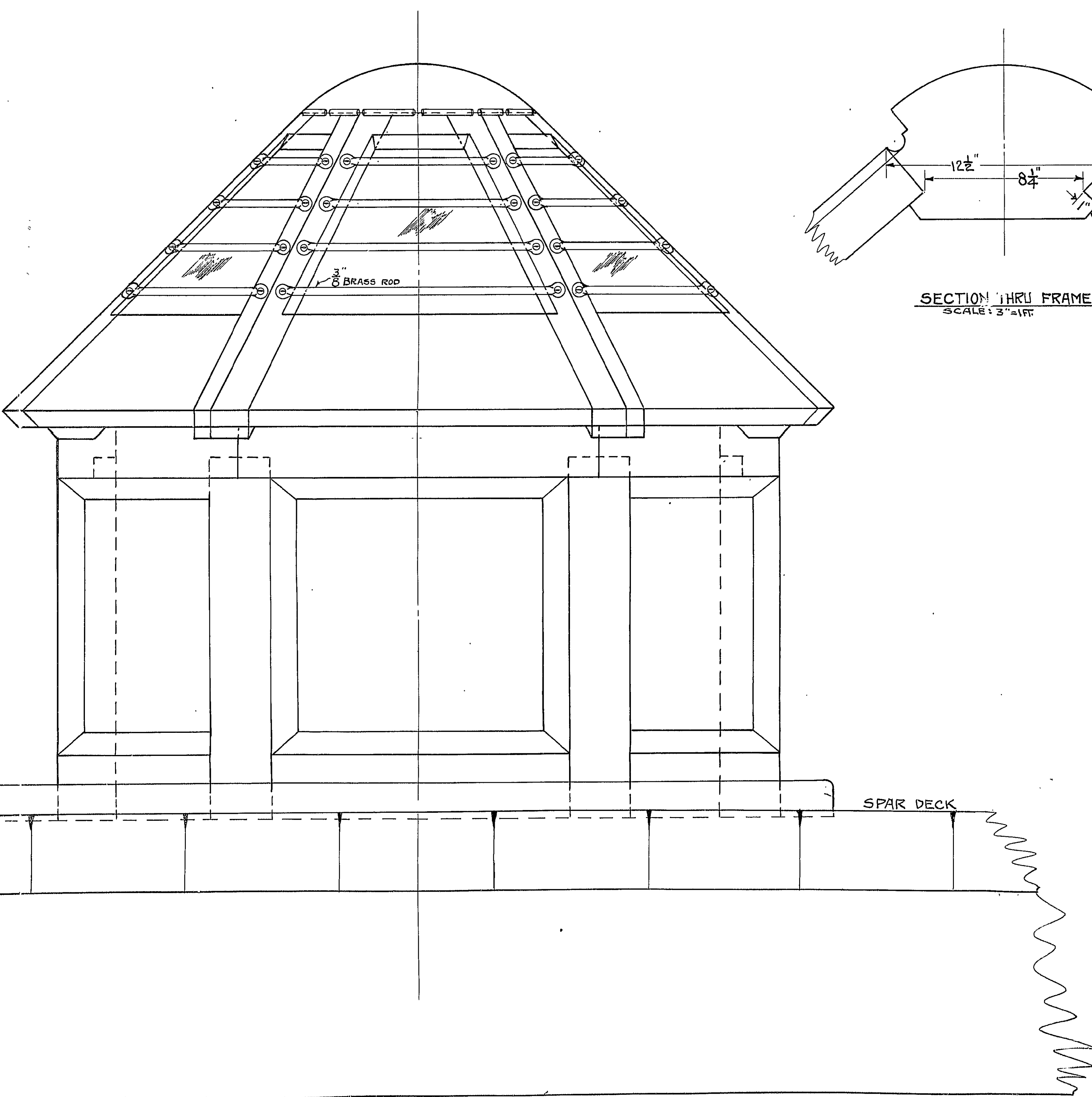
IN CHARGE OF WORK LIEN. J.A. LORD U.S.N. (C)  
DRAWN BY J.C. GAMBLE  
TRACED BY J.C.G.



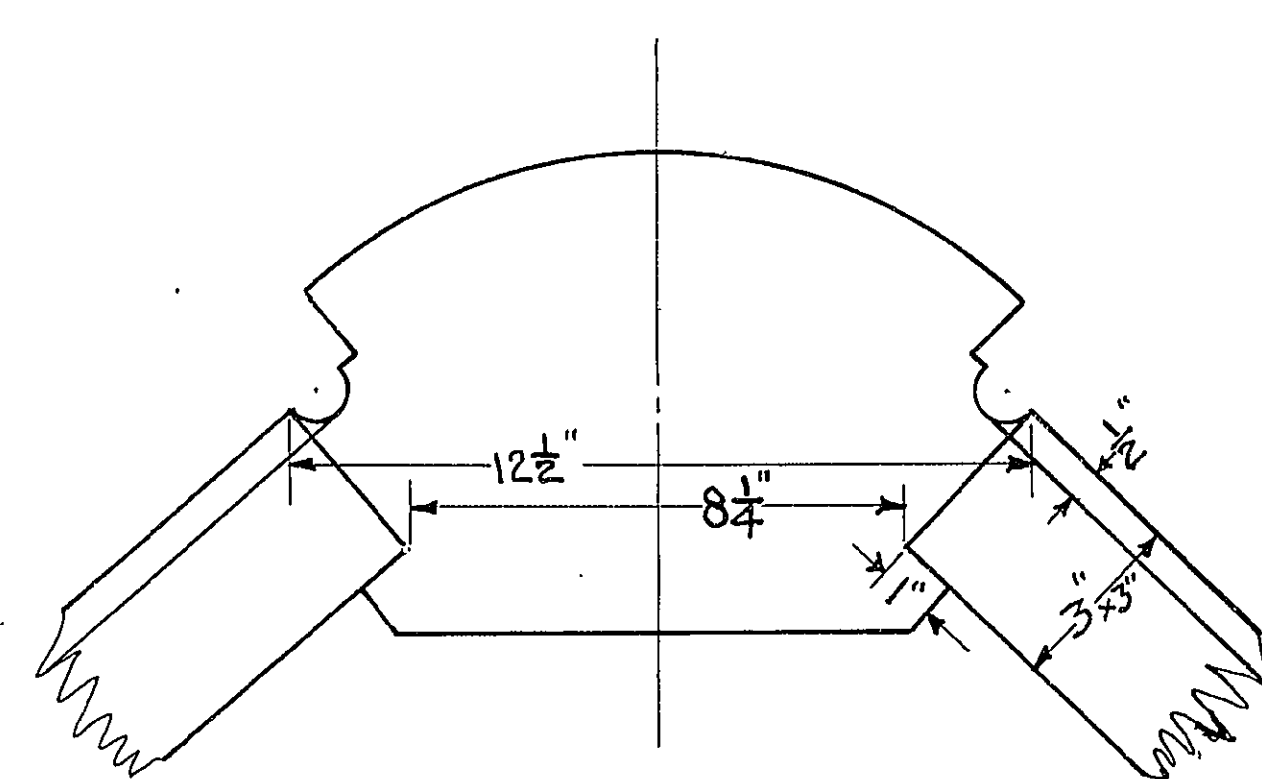
PLAN



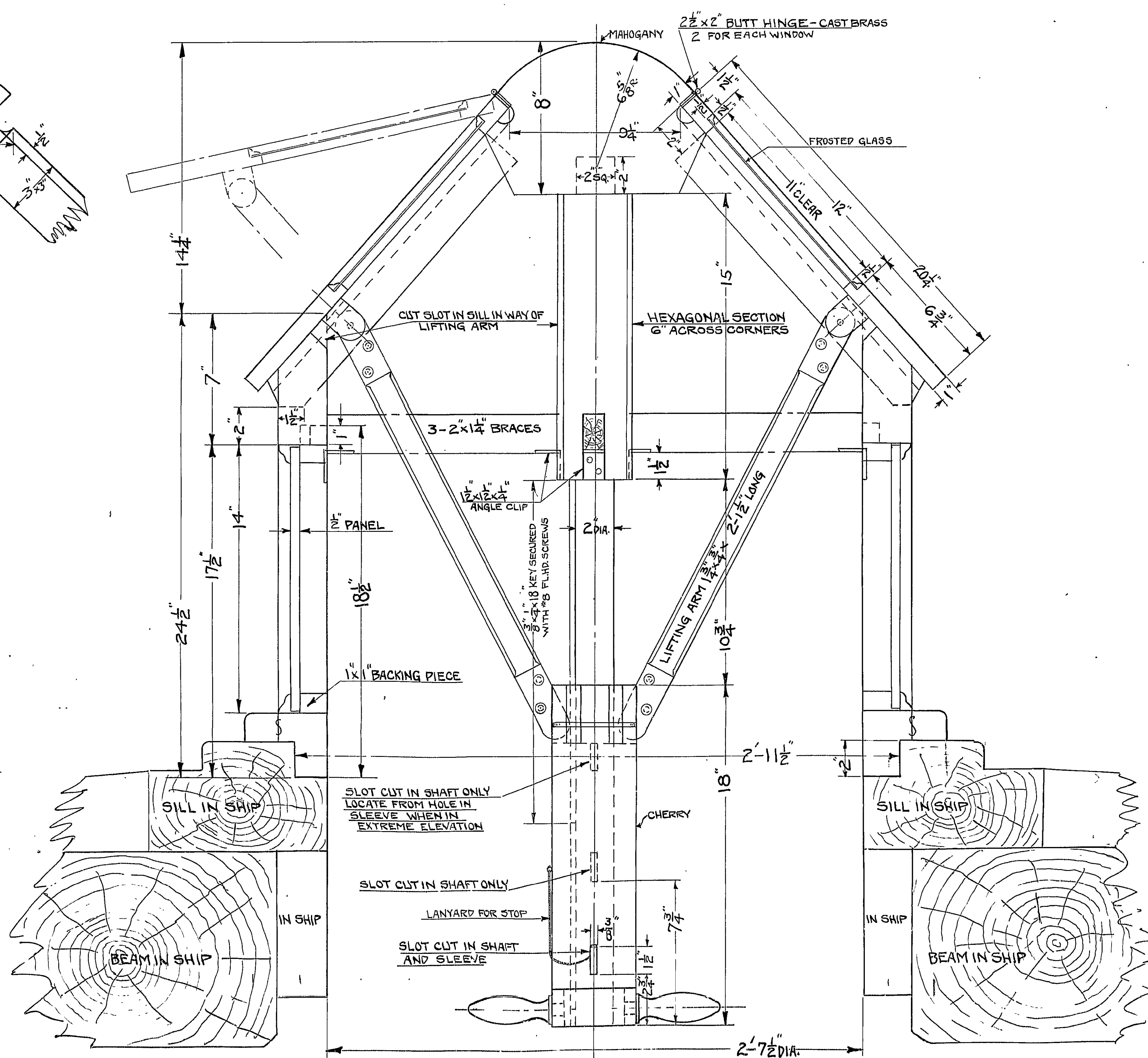
FRAMING AT TOP WITH SASH REMOVED



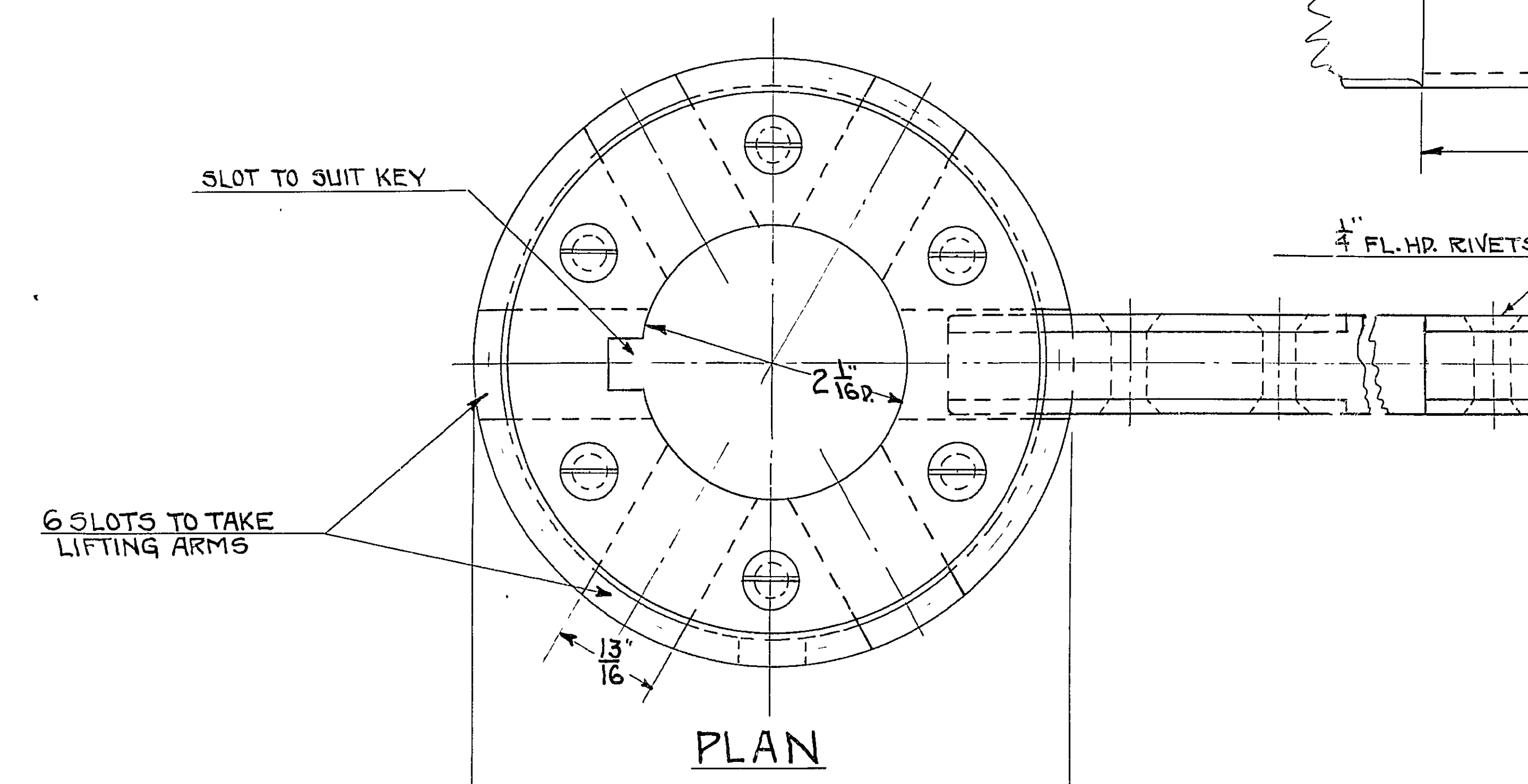
ELEVATION LOOKING AFT  
SCALE: 3/4" = 1"



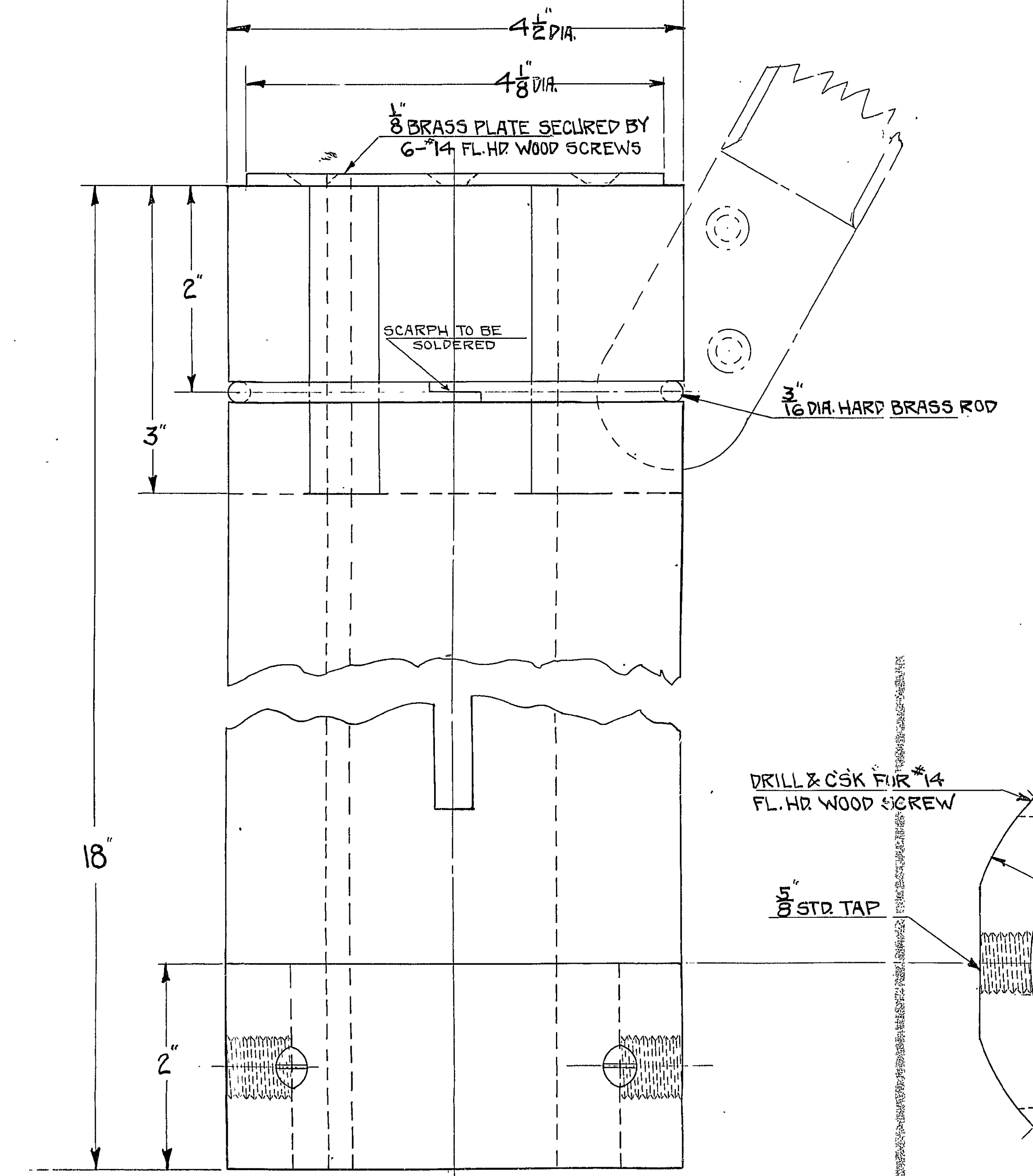
SECTION THRU FRAMES  
SCALE: 3/4" = 1"



SECTION AT  $\frac{1}{2}$  OF SHIP  
SCALE: 3/4" = 1"

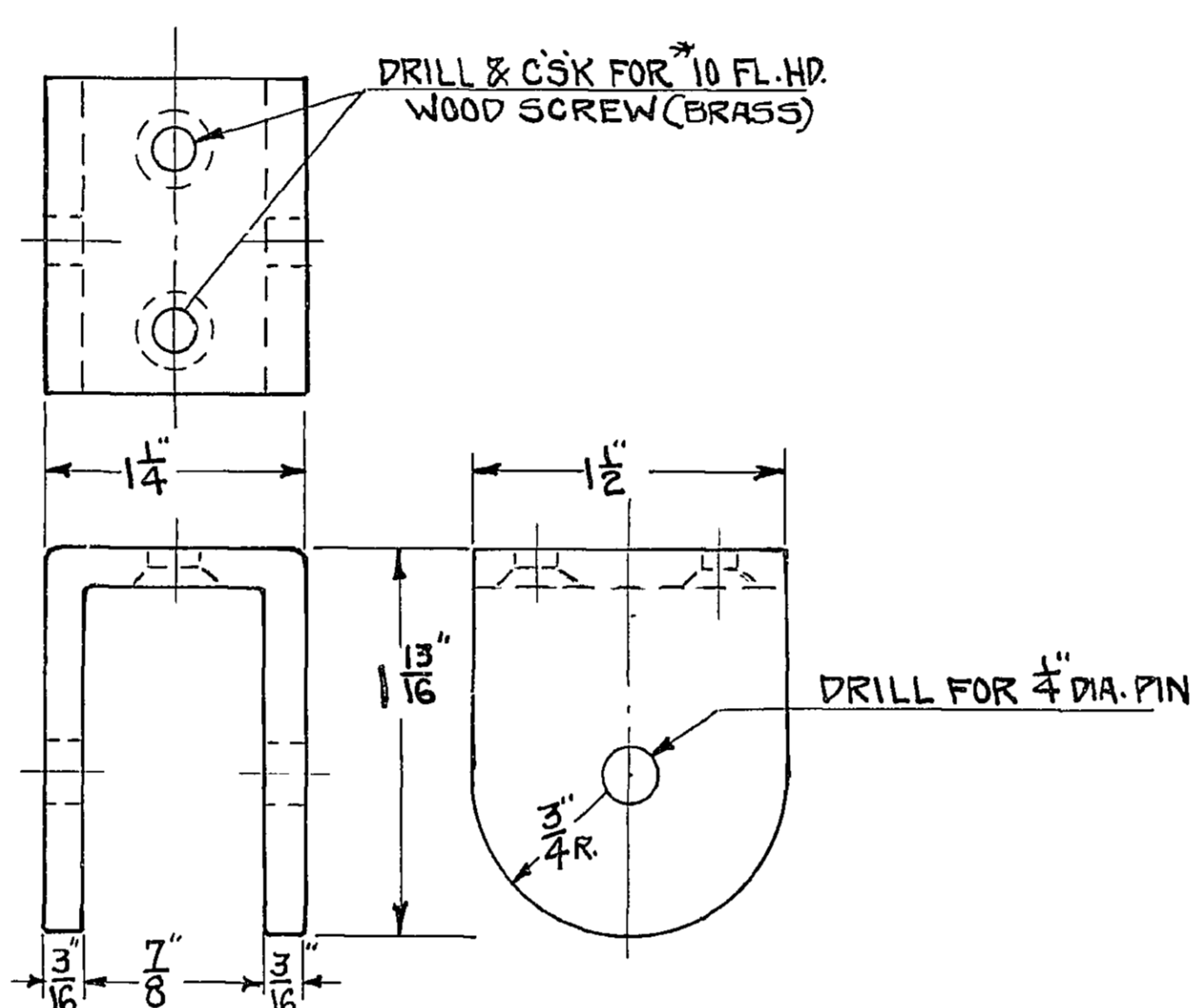
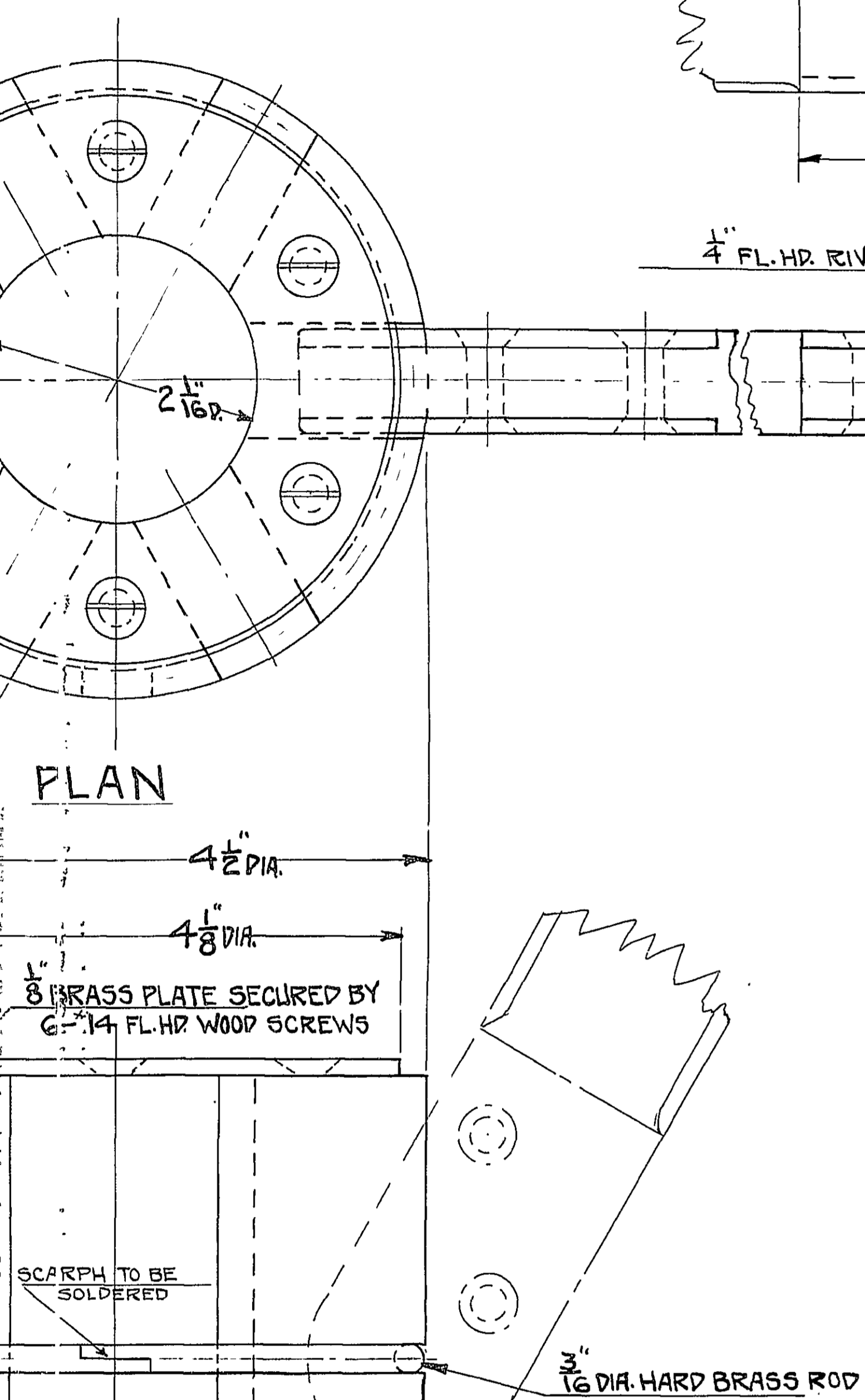
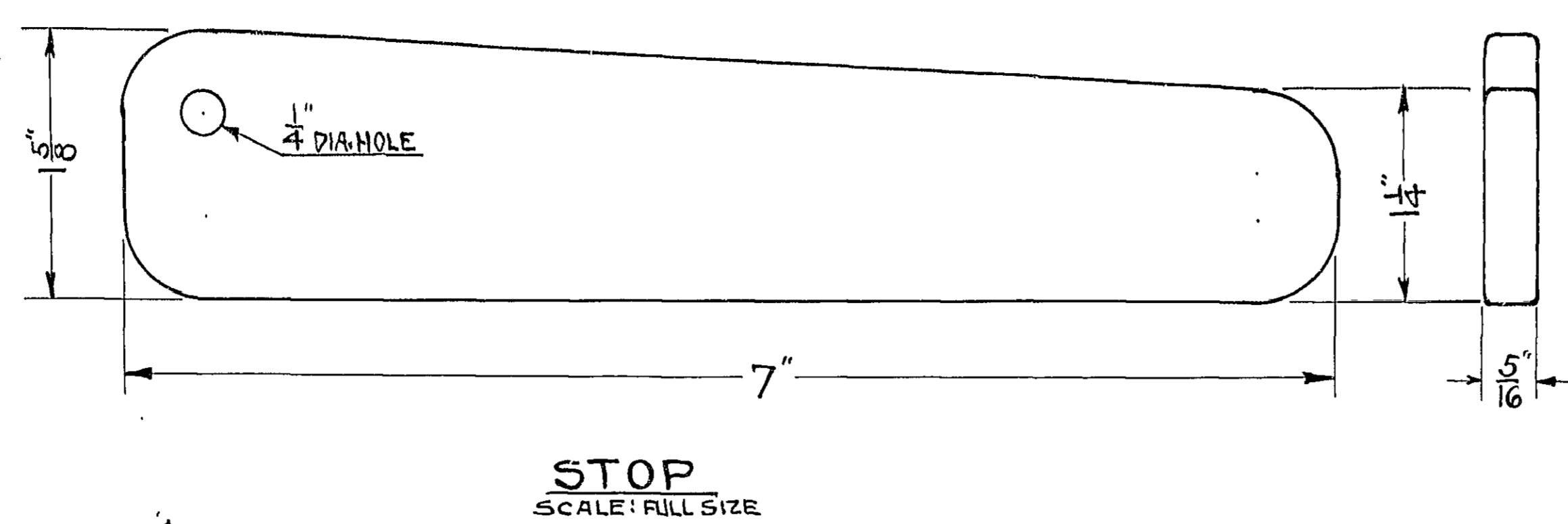
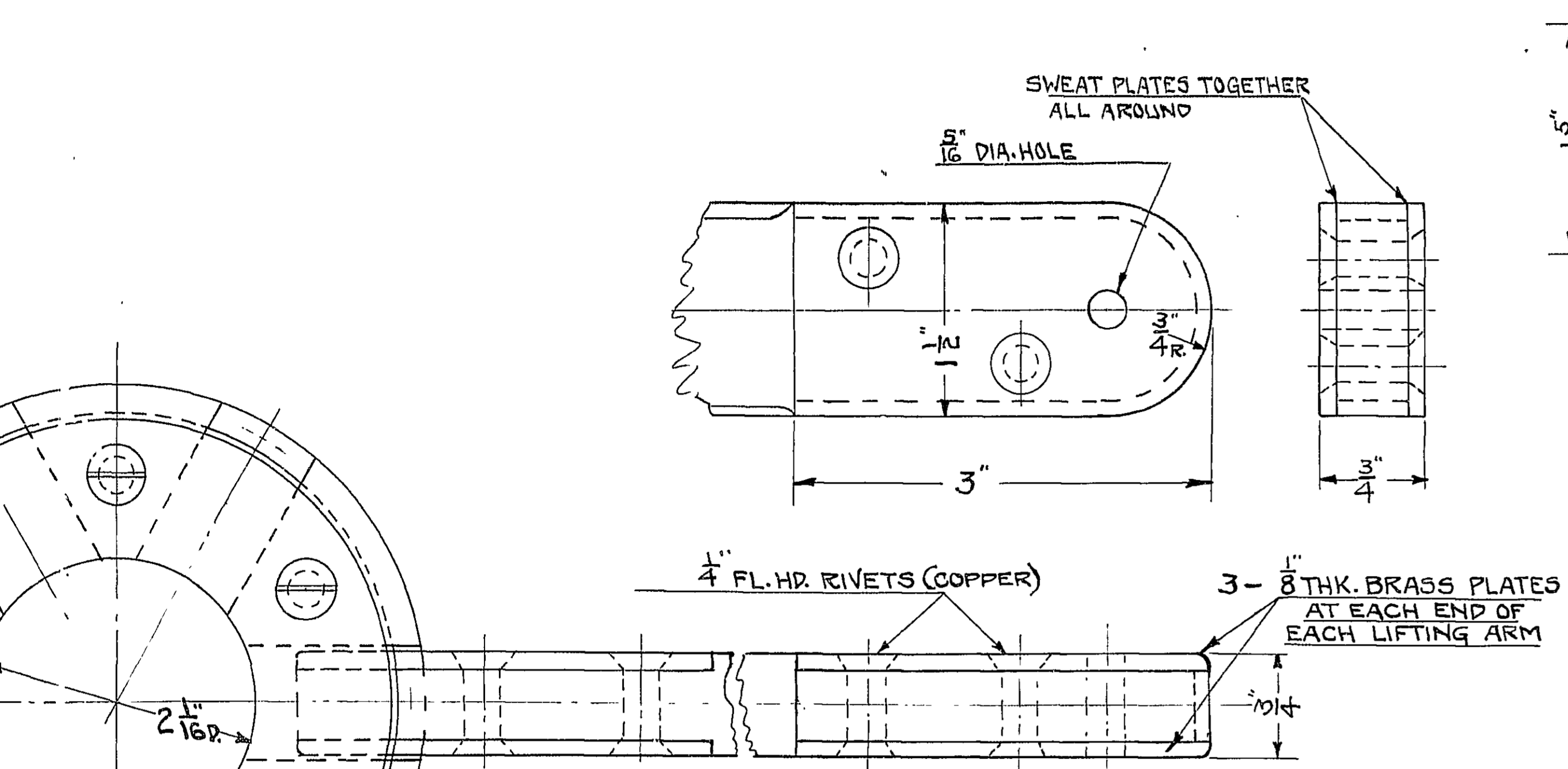


PLAN



DETAIL OF SLEEVE AND LIFTING ARM  
SCALE: FULL SIZE

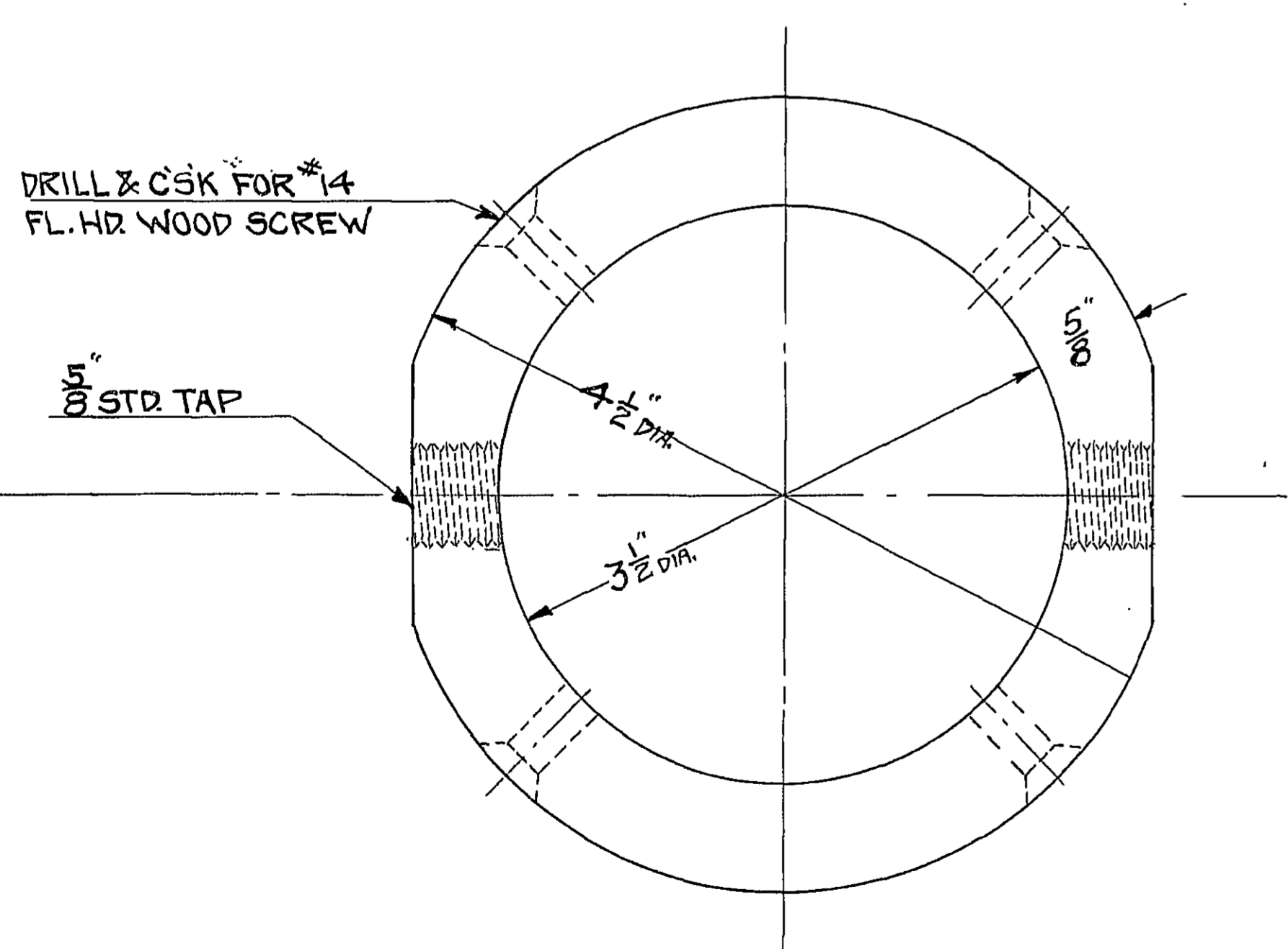




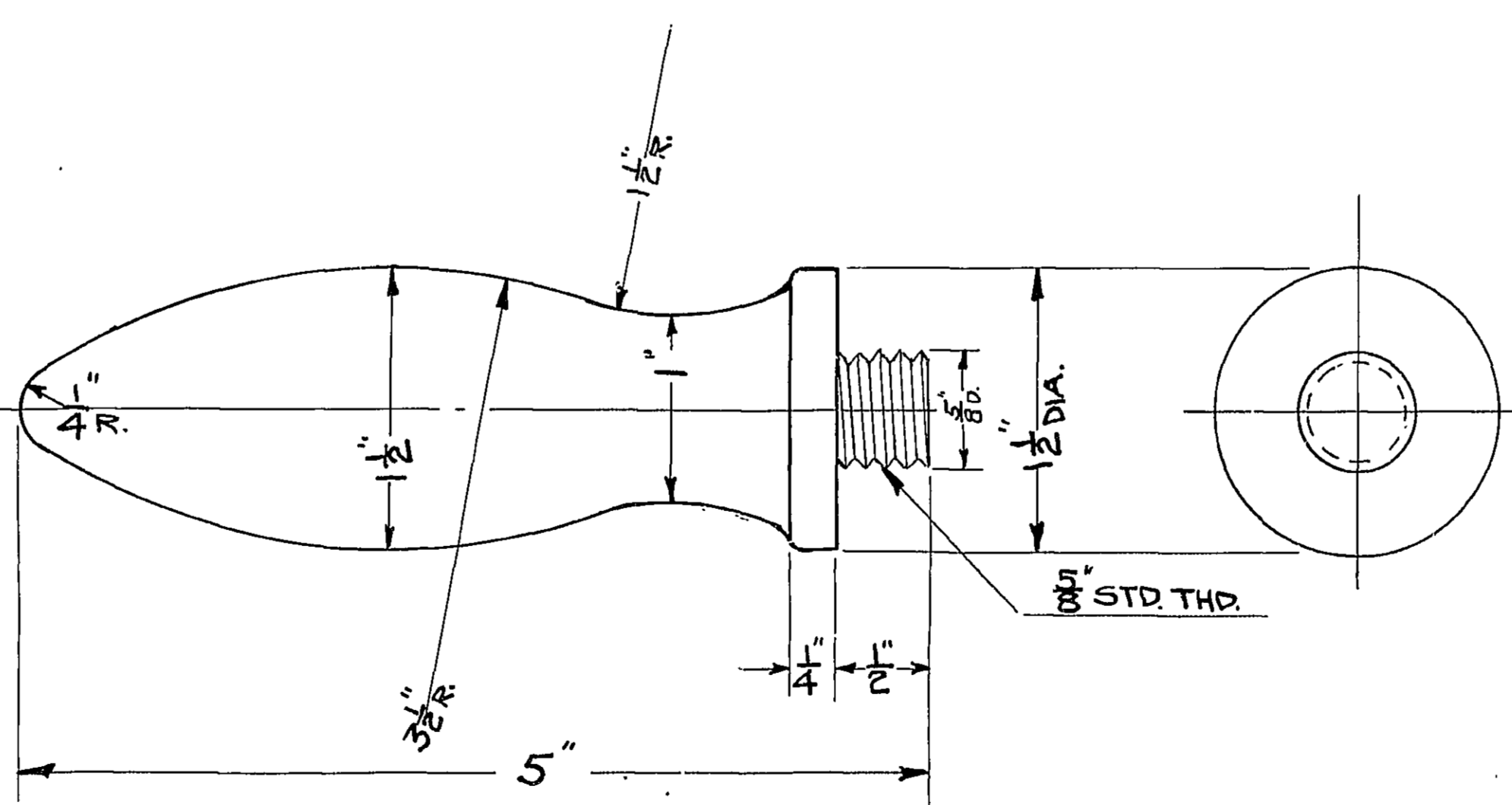
PAD ON WINDOW FRAME  
TO TAKE LIFTING ARM  
MAKE 6 (BRASS)  
SCALE: FULL SIZE

NOTES:

- SKYLIGHT TO BE BUILT OF MAHOGANY OR WHITE PINE, TO BE PAINTED WHITE
- BOTTOM RING AND HANDLES TO BE OF CAST COMPOSITION
- GLASS TO BE FROSTED AND OF DOUBLE THICKNESS
- WATERPROOF GLUE TO BE USED
- HINGES TO BE OF CAST BRASS
- USE BRASS SCREWS THROUGHOUT



PLAN OF BOTTOM RING (COMPOSITION)  
SCALE: FULL SIZE



HANDLE (COMPOSITION)  
SCALE: FULL SIZE

SLEEVE AND LIFTING ARM  
SCALE: FULL SIZE

U.S. FRIGATE CONSTITUTION

SKYLIGHT IN CAPTAIN'S CABIN

NAVY YARD, BOSTON

JAN. 3-1930

SCALE 3" = 12" = 1 FT.

APPROVED FOR MANAGER

*John A. Lord*  
LIEUT. (C.C.) U.S.N.  
SUPT. OF RESTORATION