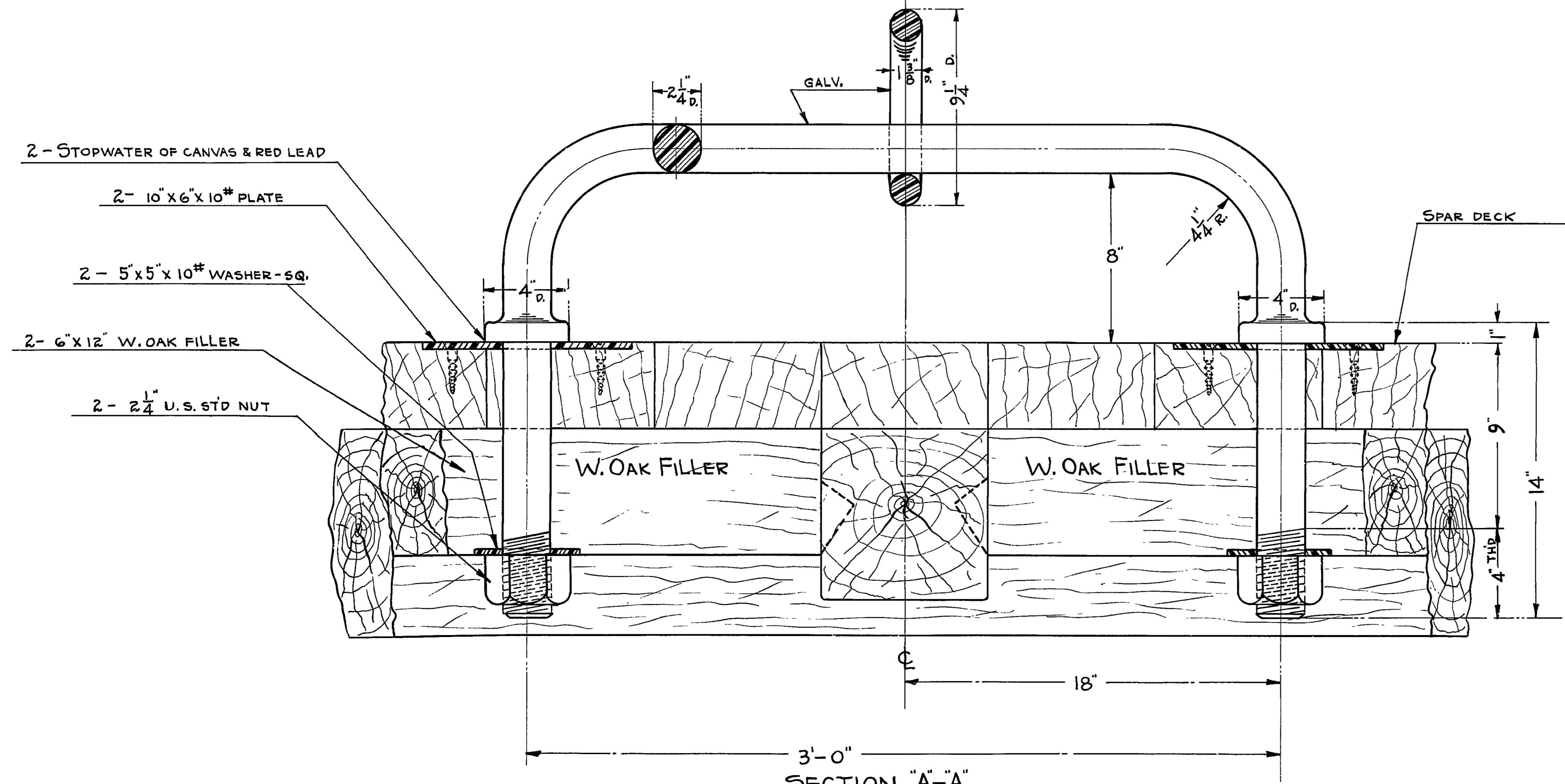
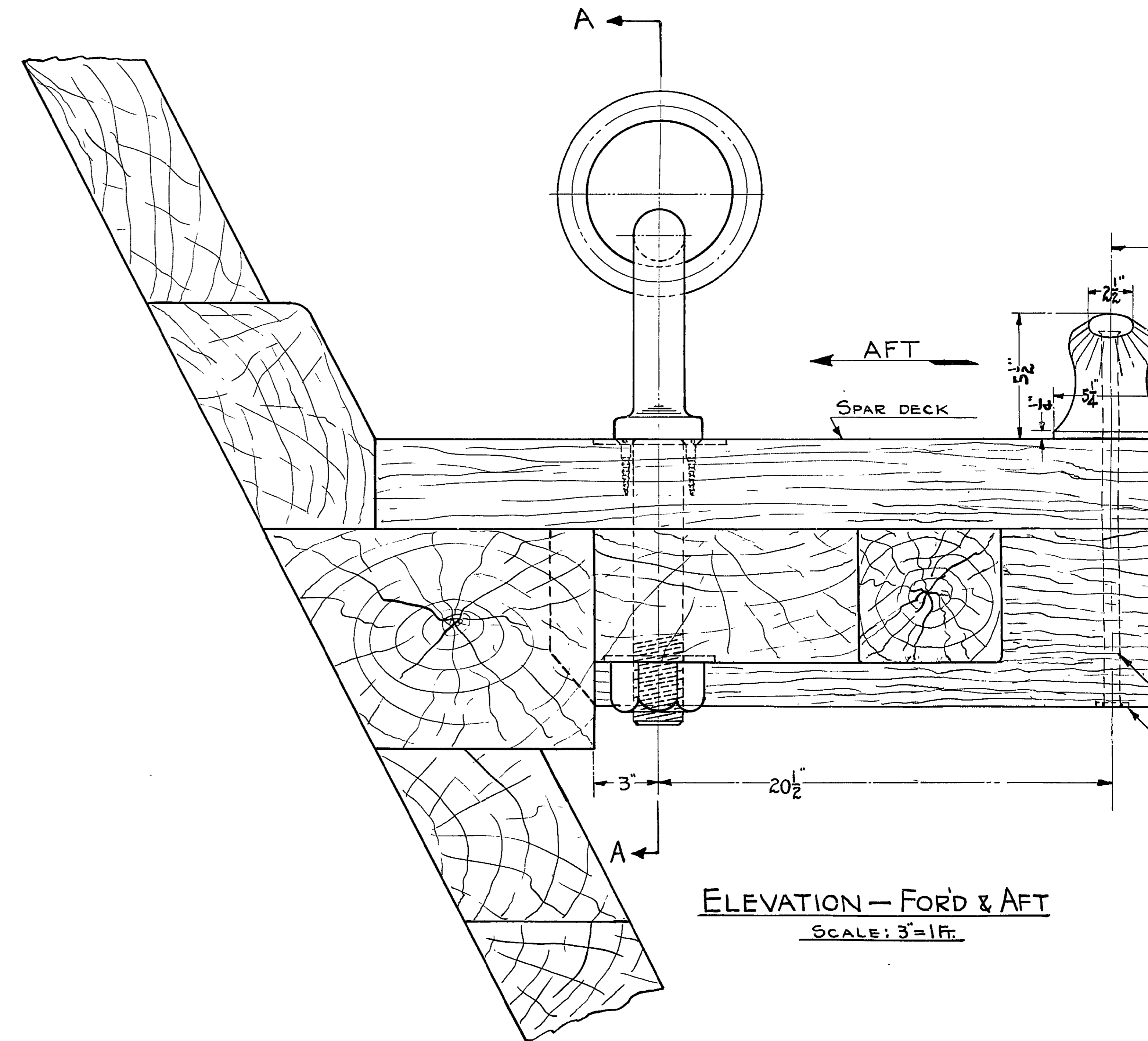


DETAIL OF DECK PLATE AND PIPE
FOR FITTING RUDDER
SCALE: 6"=1 FT.
ONE REQD - COMP.

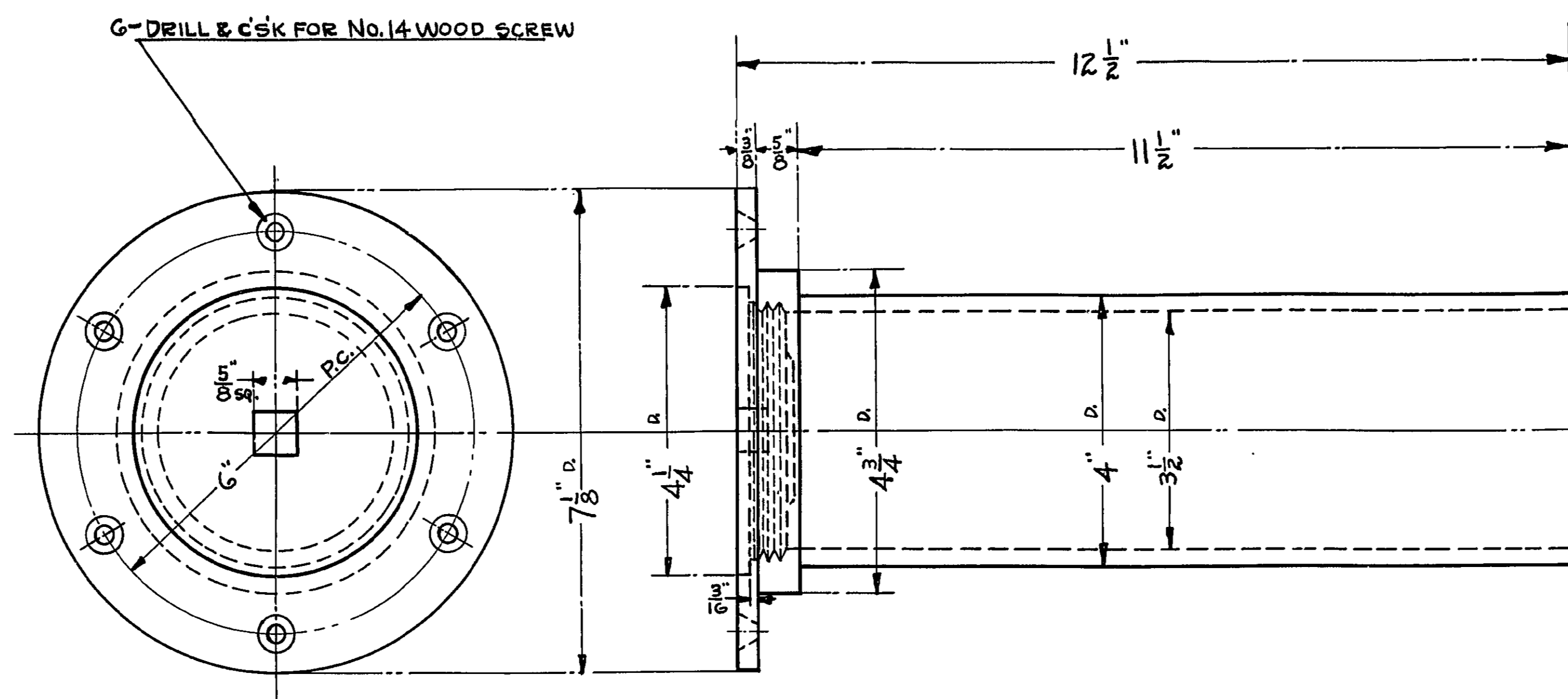
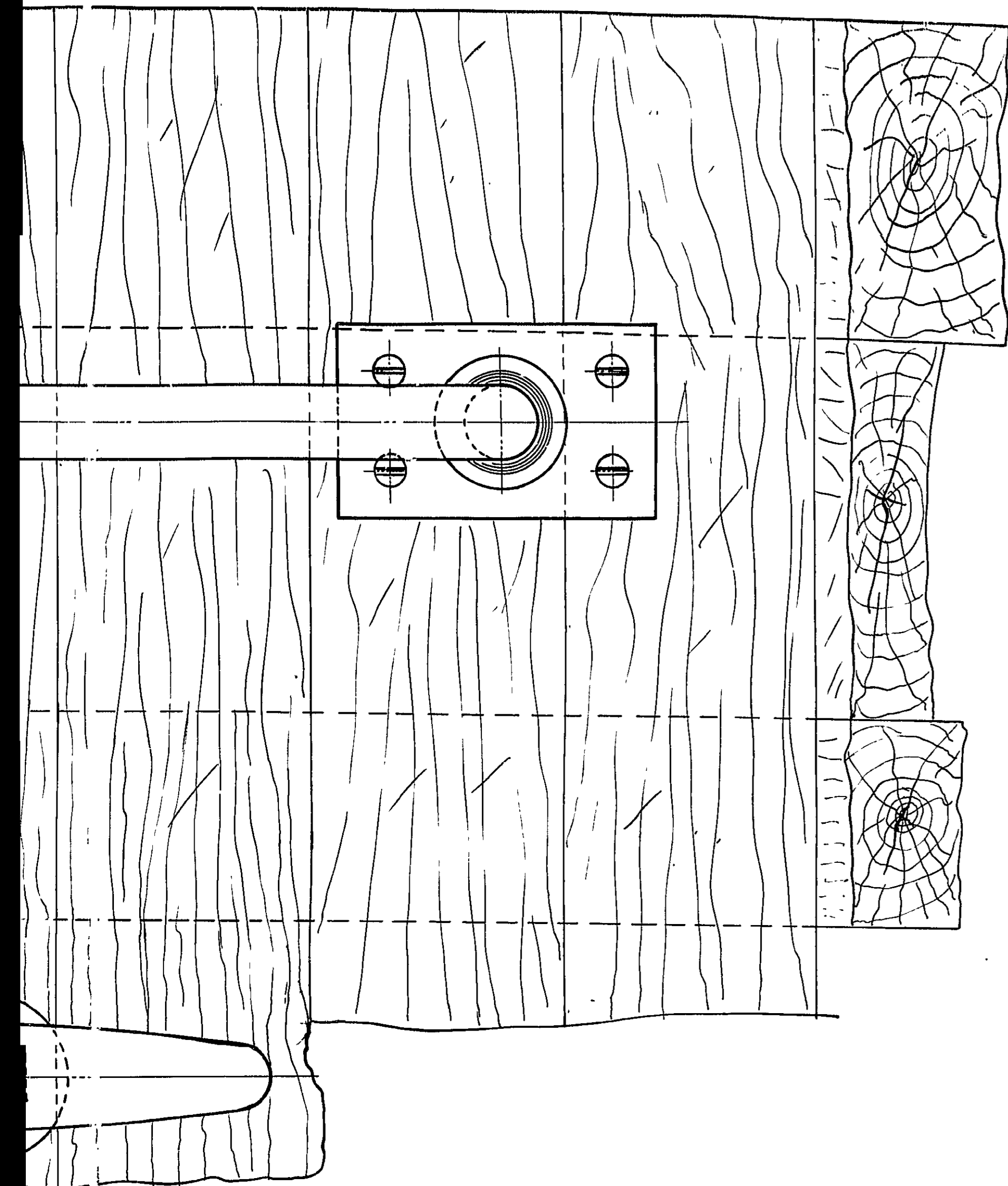


SECTION "A-A"
SPANKER BOOM TRAVELER AND FITTINGS
SCALE: 3"=1 FT.
LOCATE AS SHOWN ON SPAR DECK
ONE REQ'D

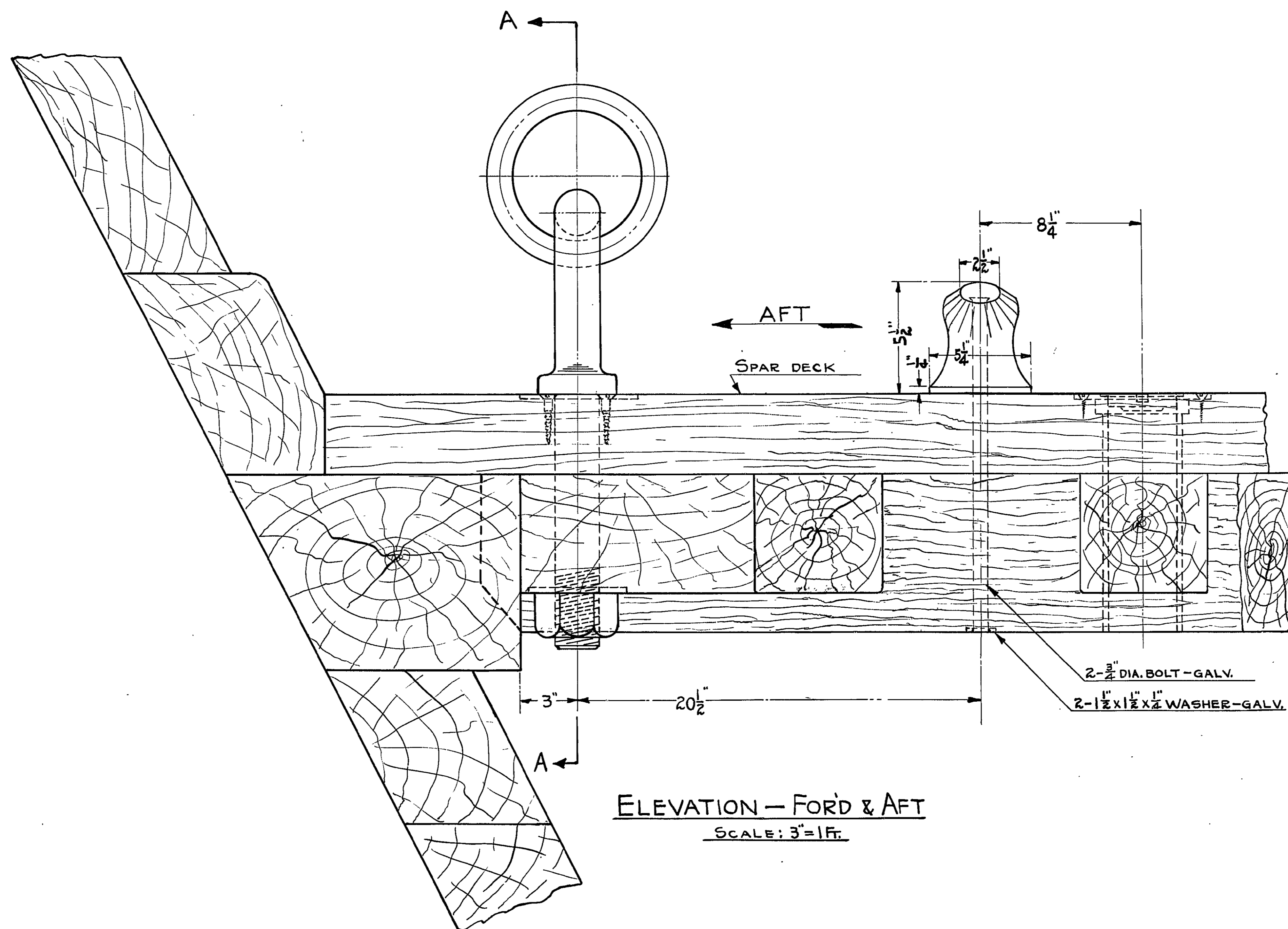
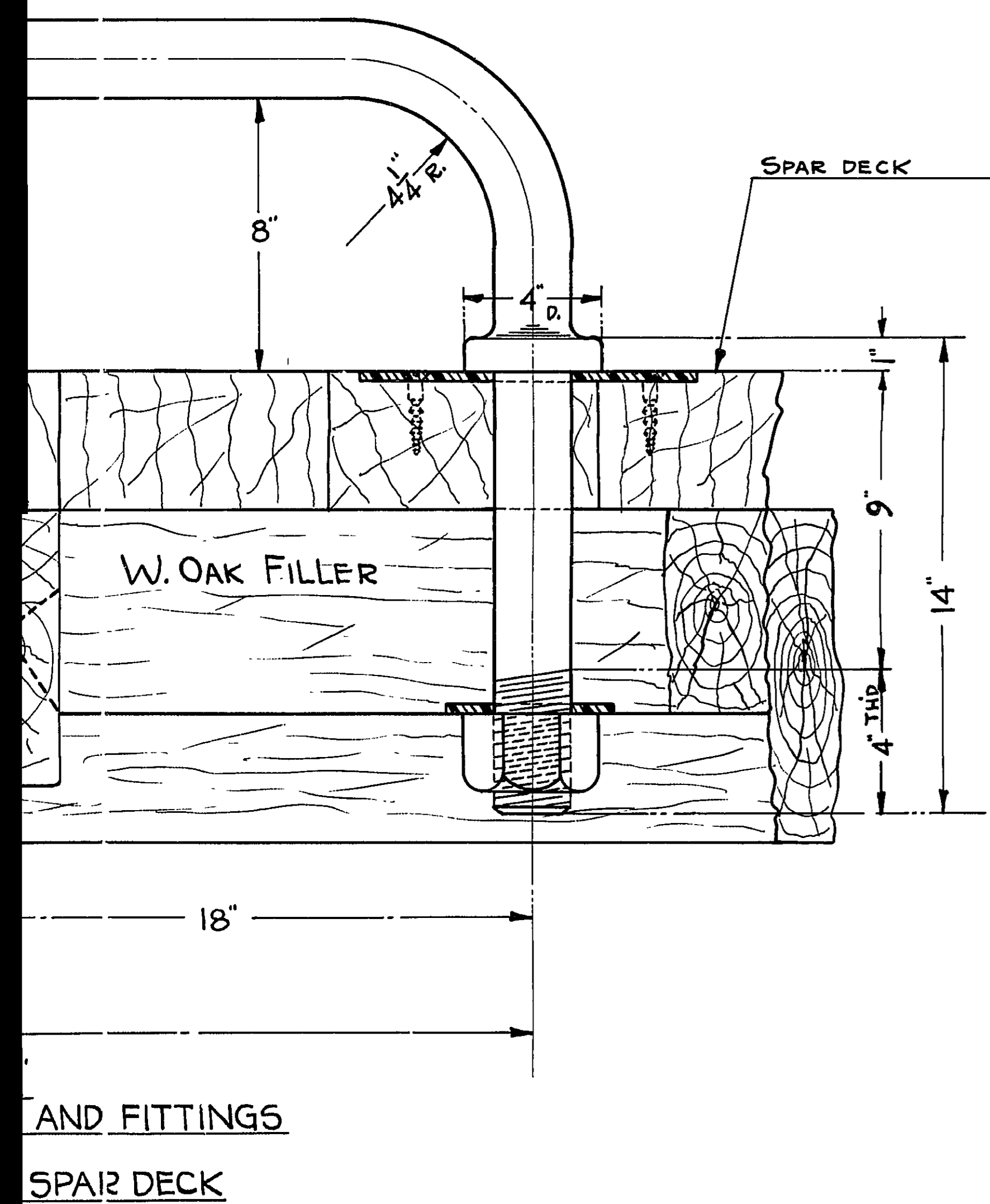


ELEVATION - FORD & AFT
SCALE: 3"=1 FT.

IN CHARGE OF WORK: JOHN A. LORD, LIEUT. (C.C.) U.S.N.
DRAWN BY: }
TRACED BY: } *McCurha*



DETAIL OF DECK PLATE AND PIPE
FOR FITTING RUDDER
SCALE: 6"=1 FT.
ONE REQD - COMP.



ELEVATION - FORD & AFT
SCALE: 3"=1 FT.

RESTORATION

1927

U.S. FRIGATE CONSTITUTION

SPANKER BOOM TRAVELER AND FITTINGS

NAVY YARD, BOSTON
SCALE: 3" & 6"=1 FT.

DEC. 1929

APPROVED FOR MANAGER

John A. Lopez
LIEUT. (CC) U.S.N.
SUPT. OF RESTORATION

No 25340