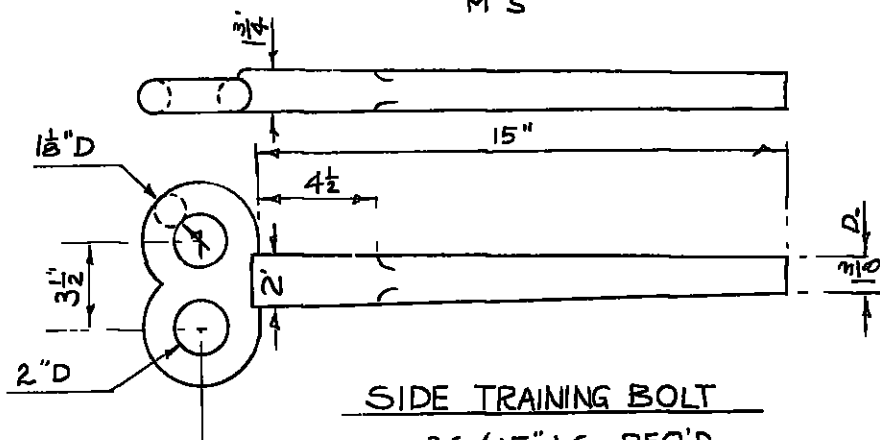
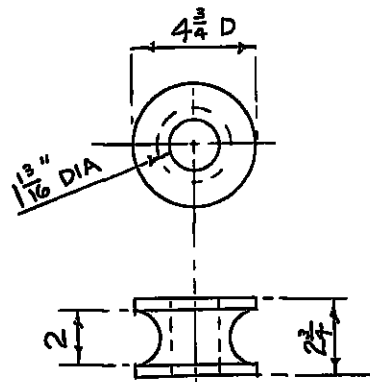


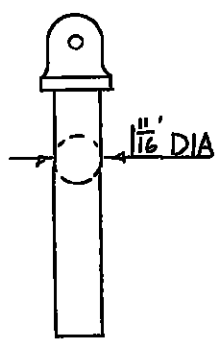
BREECH LASHING BOLT
100 REQ'D
M S



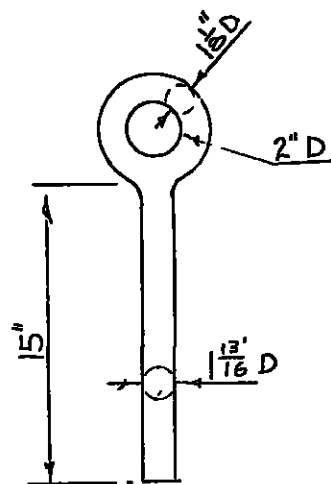
SIDE TRAINING BOLT
36 / 15" LG REQ'D
4 / 24" " "
M S



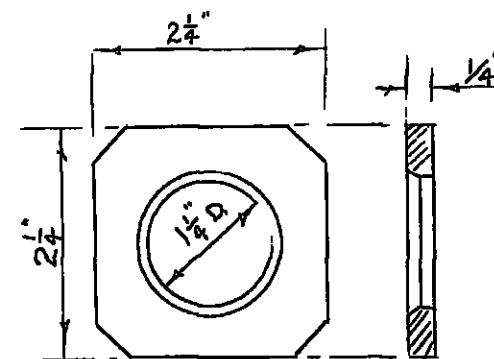
THIMBLE
94 REQ'D
M S



PIN
100 REQ'D
M.S.



EYE BOLTS
100 / 15" REQ'D
4 / 24" " "
M.S



50 WASHERS REQ'D
M.S

U.S. FRIGATE CONSTITUTION
SKETCH OF SPAR DECK, GUN FITTINGS
NAVY YARD BOSTON SEPT 1929

APPROVED FOR MANAGER
John A. Lee
LEUT (C) U.S.N.
SUPT OF RESTORATION,

THIS DRAWING WAS PREPARED FROM 1929 RESTORATION DRAWINGS AND SKETCHES DRAWING METHODS AND PRESENTATION SHOWN ARE TYPICAL OF THAT ERA.

NO.	TITLE	DWG NO		
REFERENCES				
AUTH IX21 1973 RESTORATION	IX21	USS CONSTITUTION		
		SHIP IDENT NO. & NAME		
EXAMINED		BOSTON NAVAL SHIPYARD BOSTON, MASS 02129		
CODE 2502 EXT.	GUN FITTINGS SPAR DECK			
BRANCH HD <i>CL</i>				
CHECKED G. BOUCHER				
DRAWN C. BOUCHER				
APPD FOR DESIGN DIV 22	DATE 7/25/74	SIZE CODE IDENT NO	BOSTON DWG NO.	REV
APPD (OTHER THAN DESIGN DIV)		H 80060 / IX21	24862	
SCALE			SHEET 1 OF 1	