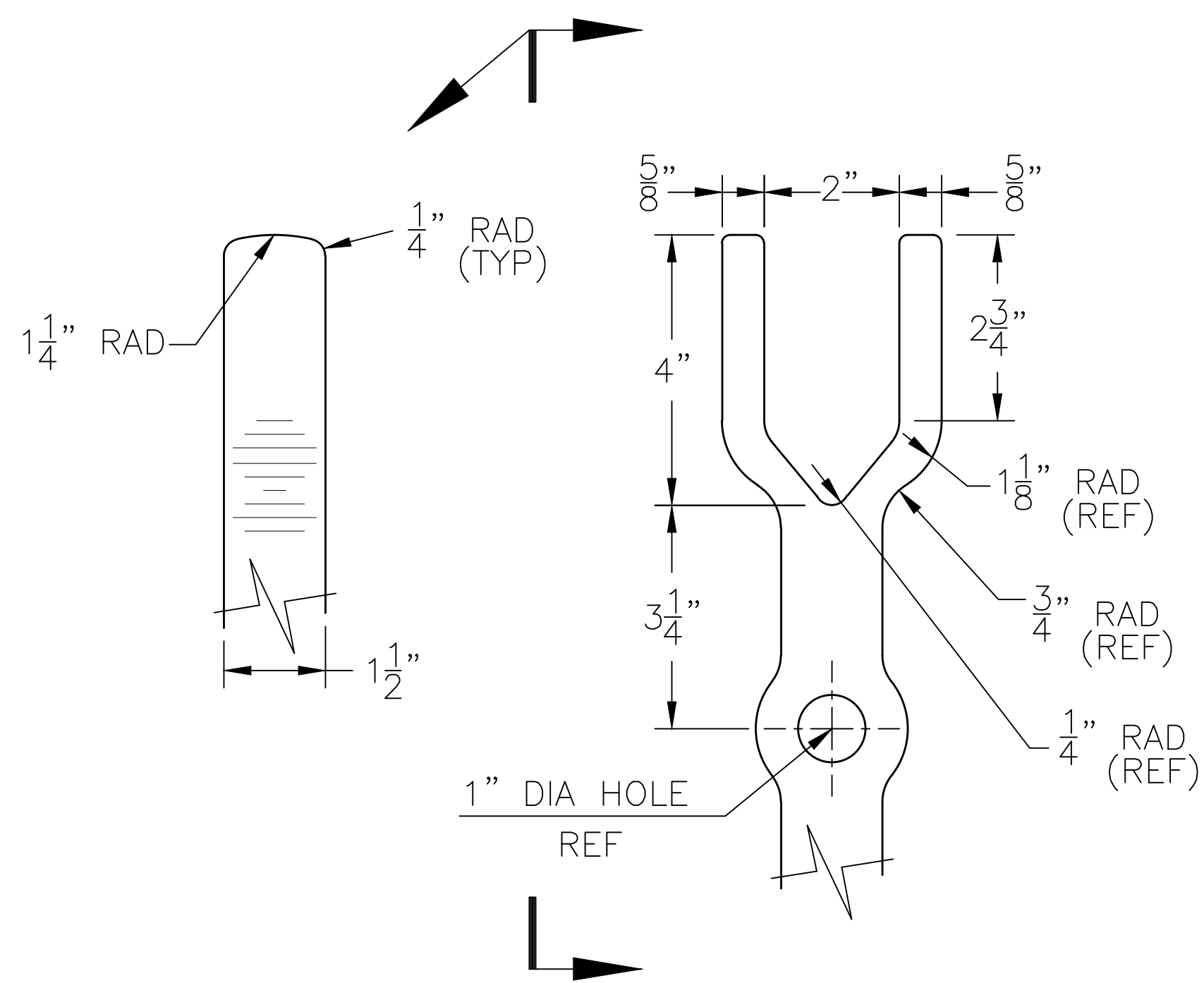


GENERAL NOTES

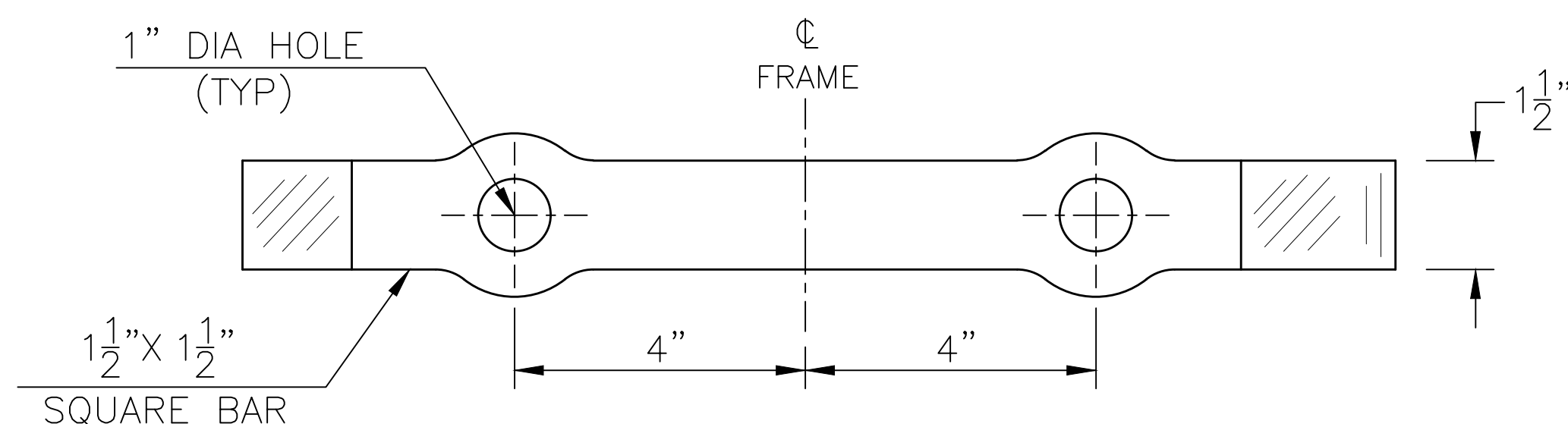
- THIS DRAWING WAS DEVELOPED FOR ACCOMPLISHMENT OF WORK BASED ON A SHIPCHECK OF THE USS CONSTITUTION.
- THE PURPOSE OF THIS DRAWING IS TO FABRICATE PORT AND STARBOARD HAMMOCK NET FRAMES IN WAY OF SPAR DECK OPEN WAIST.
- TEMPLATE ALL WORK FROM SHIP AND EQUIPMENT TO INSURE PROPER INSTALLATION.

LIST OF MATERIAL (QUANTITY FOR ONE SHIP)											
ITEM NO.	QTY RQD	DESCRIPTION	LAST NO USED	SIZE RQD	MTL SPEC	MTL REQ	NSN OR MFRG PT NO.	SCE	APL NO.	UNIT WT	REMARKS
1	100 L/F	1-1/2" X 1-1/2" SQUARE BAR			ASTM-A36	STEEL		IAF		7.65#/LF	

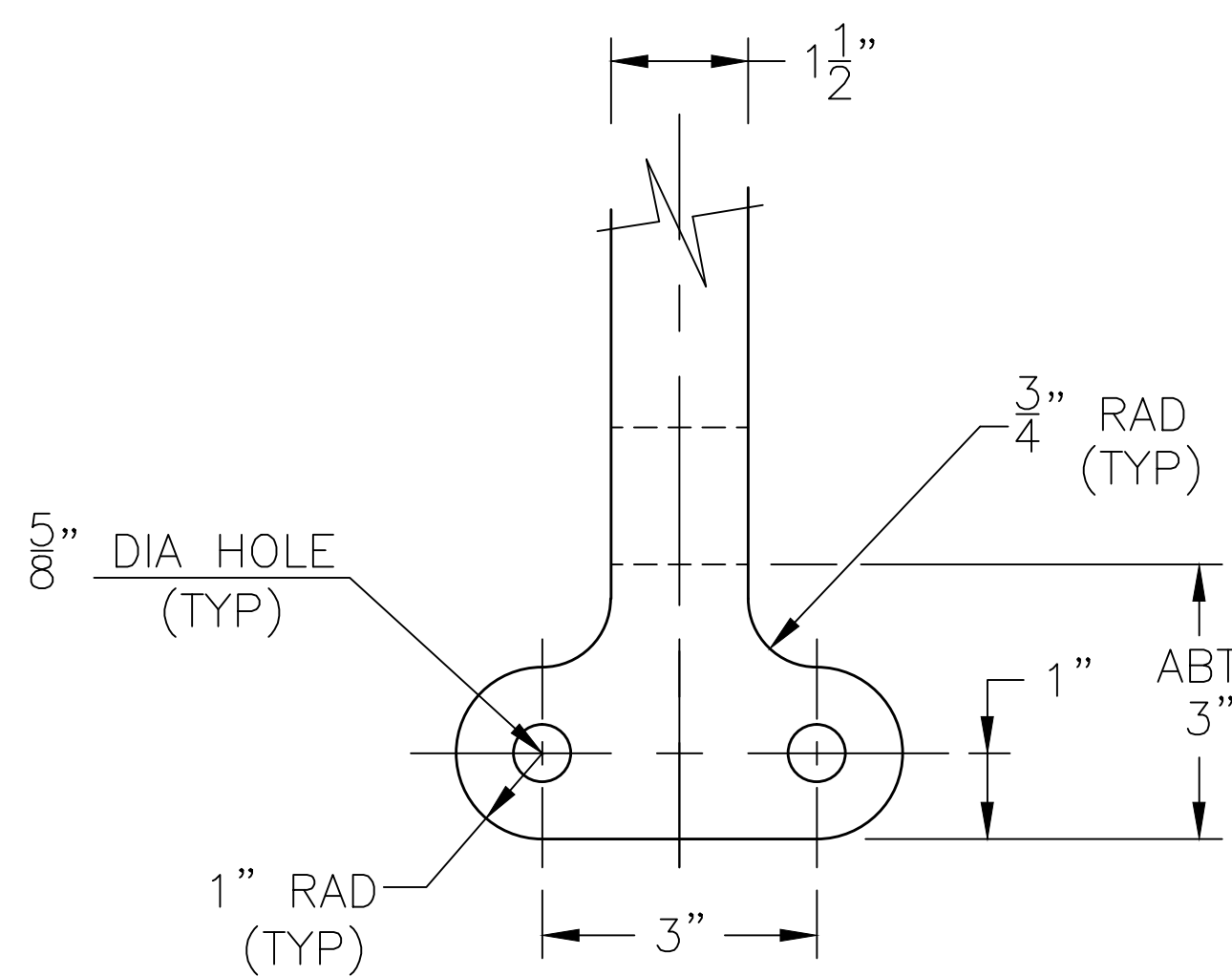
REVISIONS					
REV	ZONE	DESCRIPTION	BY	DATE	APPROVED



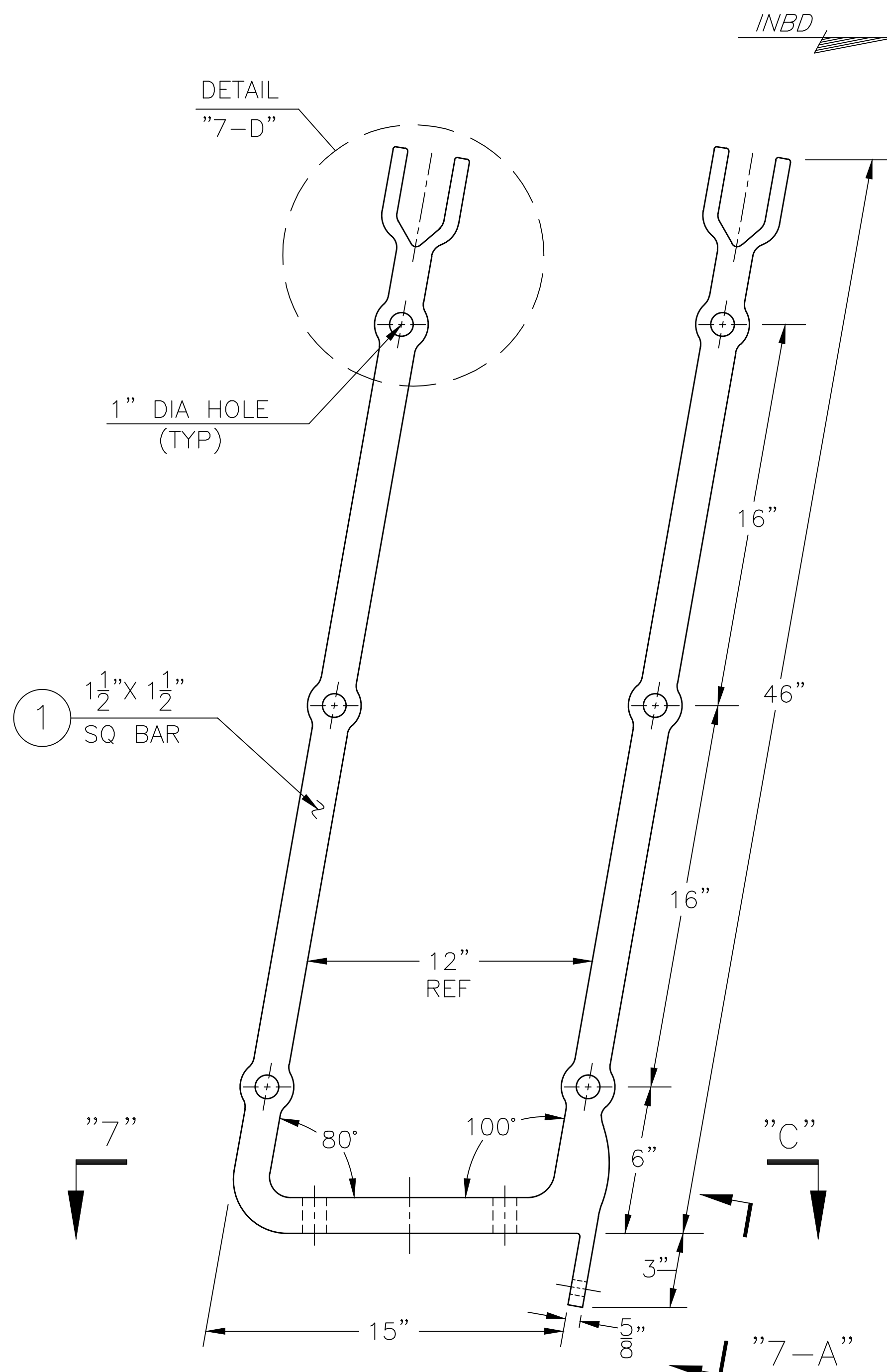
DETAIL "7-D"
SCALE: 6"=1'-0"



PLAN "7-C"
SCALE: 6"=1'-0"



DETAIL "7-A"
SCALE: 6"=1'-0"



SECTION "4-B"
HAMMOCK NET FRAME
(LKG AFT)
SCALE: 3"=1'-0"

NO.	HULL	TITLE	IDENT

REFERENCES			

DIMENSIONAL TOLERANCES UNLESS OTHERWISE SPECIFIED					
MACHINED			GEOMETRIC (WHERE IND)		
DIM	DEC	FRAC	SYM	GEOMETRY	TOL
UNDER 6		±1/	—	FLAT & STR	/IN
6 TO 24		±1/	⊥	PERPENDICULAR	/IN
OVER 24		±1/	∥	PARALLELISM	/IN
DIM ARE IN INCHES			◎	CONCENTRICITY	/IN
FILLETS & RADII TO BE			SYM IN ACCORDANCE WITH		
TOL ON ANGLES ±					

WEIGHT CONTROL DATA										
REV	SHIPALT NUMBER	WT GRP	WT (LBS)	I R OR XR	VCG REF ABV SPAR DECK	LCG REF	F OR A	TCG REF CL	P S OR O	VAL BY

LEVERS IN FEET TO THE NEAREST TENTH OF A FOOT
USE SEPARATE LINES FOR EACH WT GP. S/A, REV, WT INSTL, WT RMVL
I=INSTALL, R=REMOVE, XI=LOAD ITEM INSTALLED, XR=LOAD ITEM REMOVED
F=FORWARD, A=AFT, P=PORT, S=STBD, O=C

CONTRACT NO. / FSM NO.				DEPARTMENT OF THE NAVY NAVAL SEA SYSTEMS COMMAND WASHINGTON, D.C. 20362-5101			

FORGED HAMMOCK NET FRAME

SIZE	N.H.H.C. DET BOSTON DRAWING NO.	REV
F	013-09-2009	

APPROVED BY NAVSEA

SHIP	REV	SHIPCHK BY	DT

REVISION STATUS OF SHEETS

SHIP APPLICABILITY

ACCEPTED FOR NAVSEA

SCALE: SHEET 1 OF 1