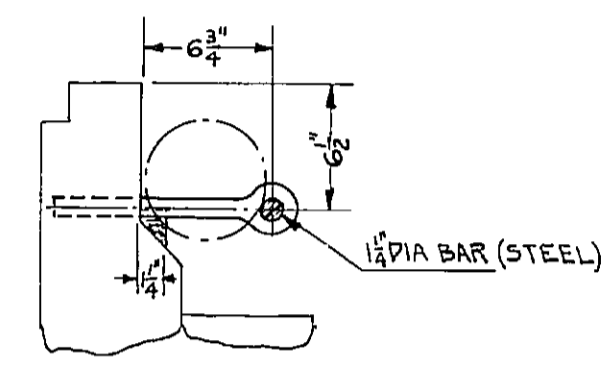
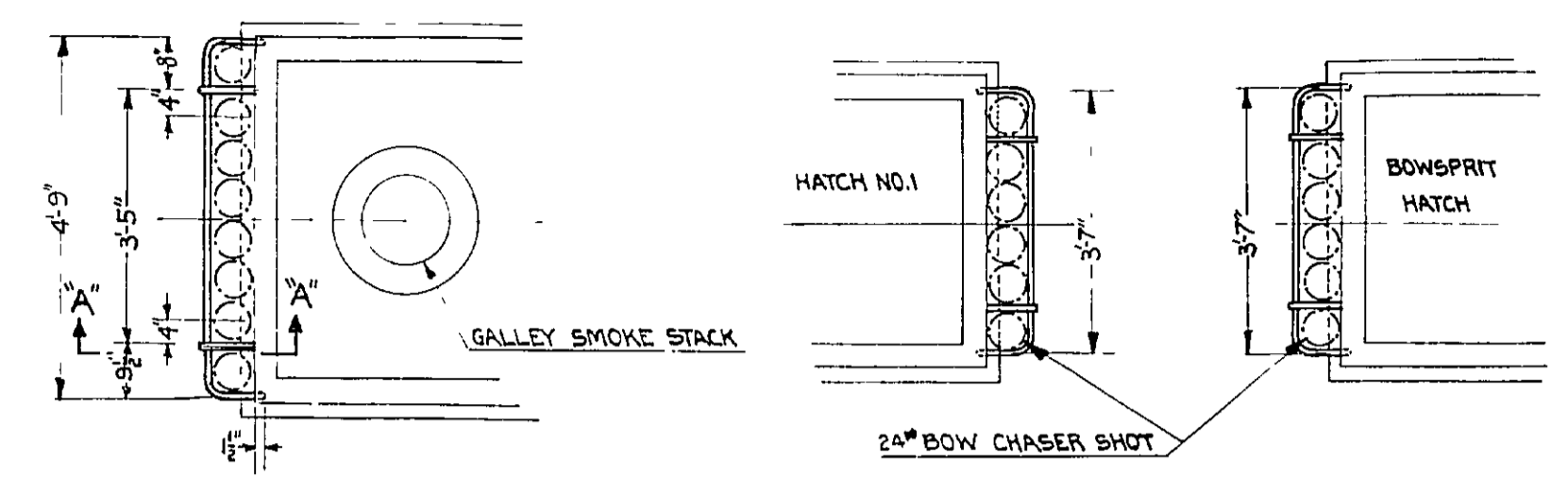
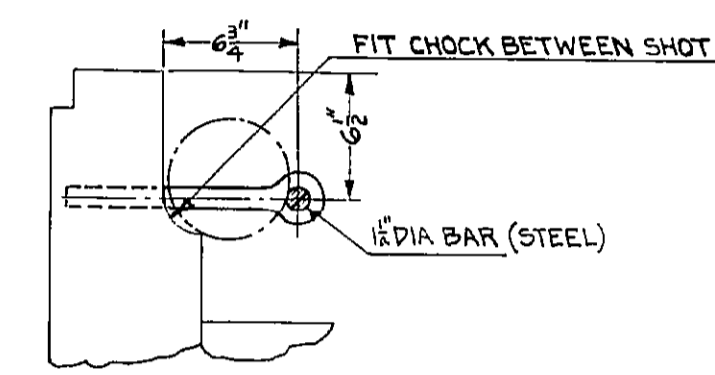


SHOT TO BE SPACED 6 1/2" TO 4" 32" CARRONADE SHOT

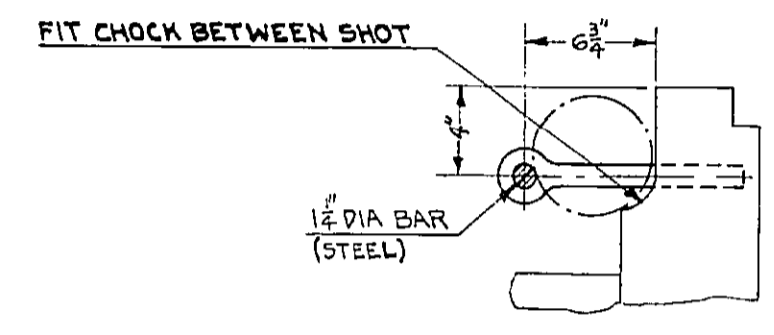
PLAN AT SPAR DECK



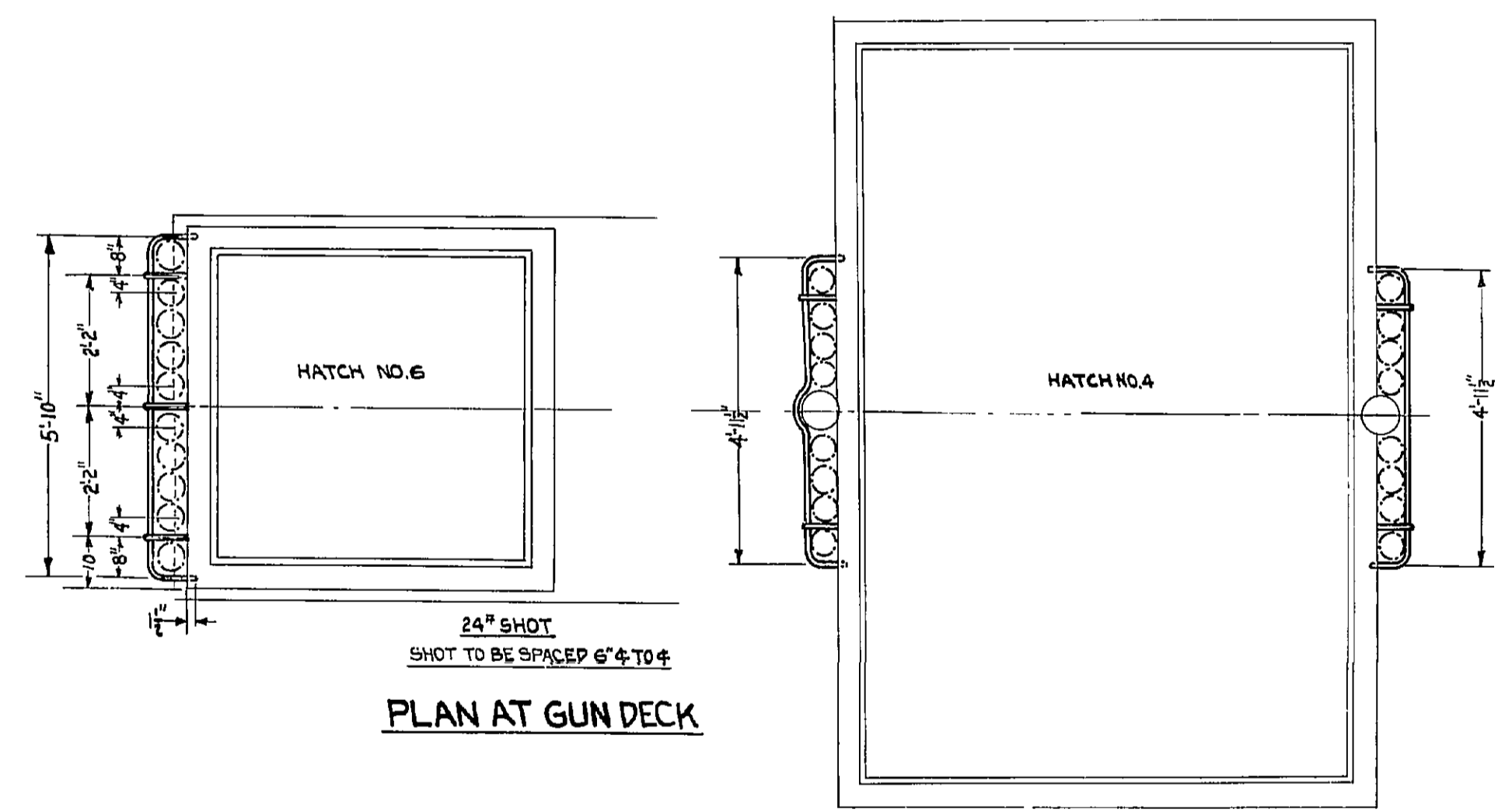
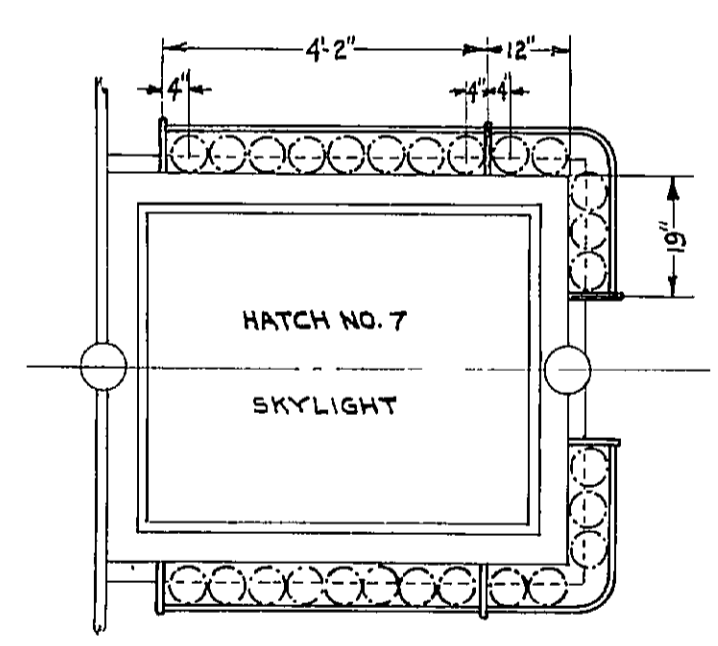
SECTION "C-C"



SECTION "B-B"

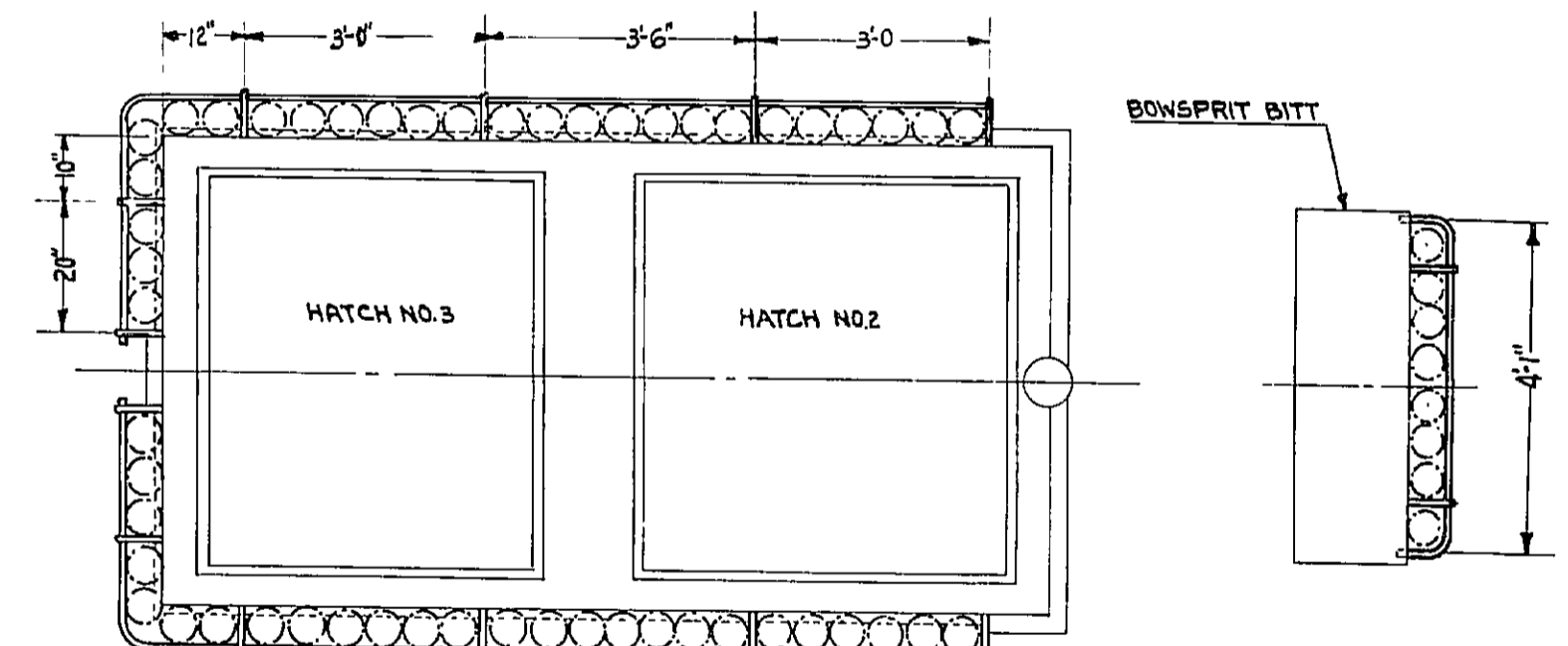


SECTION "A-A"

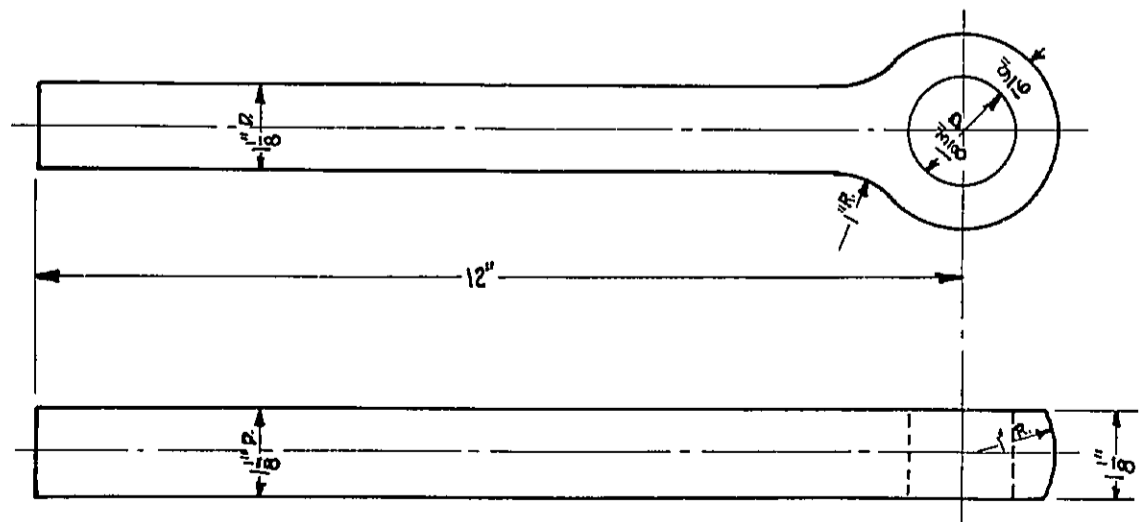


24" SHOT SHOT TO BE SPACED 6 1/2" TO 4"

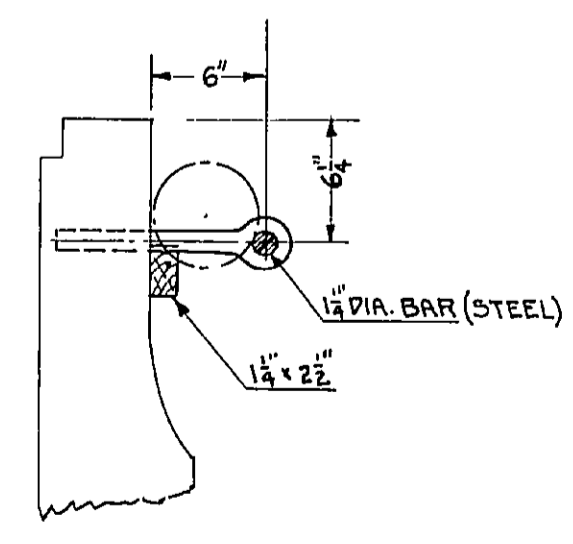
PLAN AT GUN DECK



SHOT STORAGE AROUND HATCHES NO. 2 & NO. 3 INSTALLED IN SHIP



EYE BOLT MATERIAL STEEL NO. REQUIRED 22



SECTION THRU COAMING ON GUN DECK

RESTORATION 1027
U.S. FRIGATE CONSTITUTION
 STOWAGE FOR READY SERVICE SHOT ON
 SPAR AND GUN DECKS
 NAVY YARD, BOSTON SEPTEMBER 1930
 SCALE 1/2" & 6" = 1 FT.

APPROVED FOR MANAGER
John A. Lord
 LIEUT. (E.C.) U.S.N.
 SUPT. OF RESTORATION

No. 21749