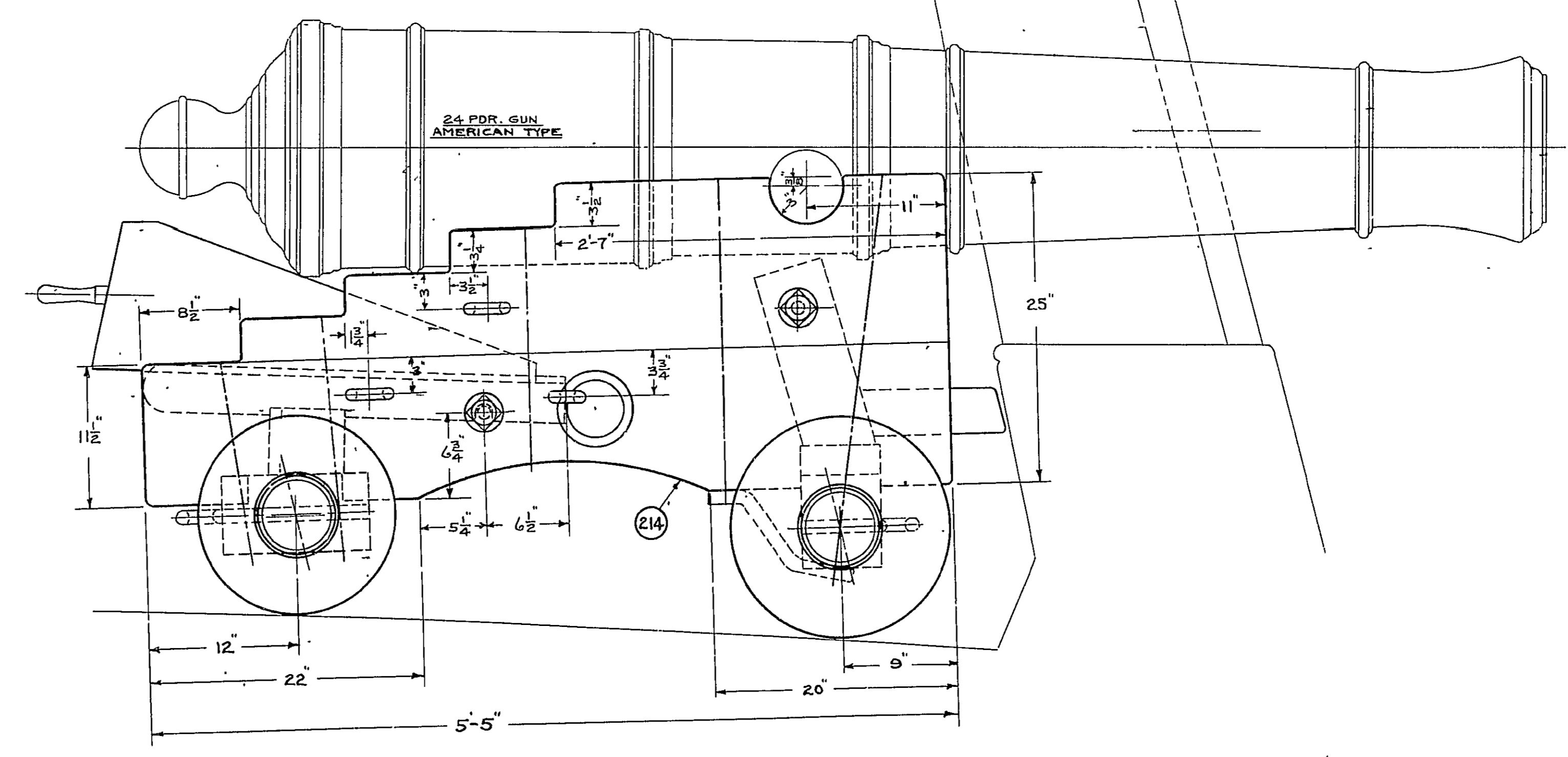
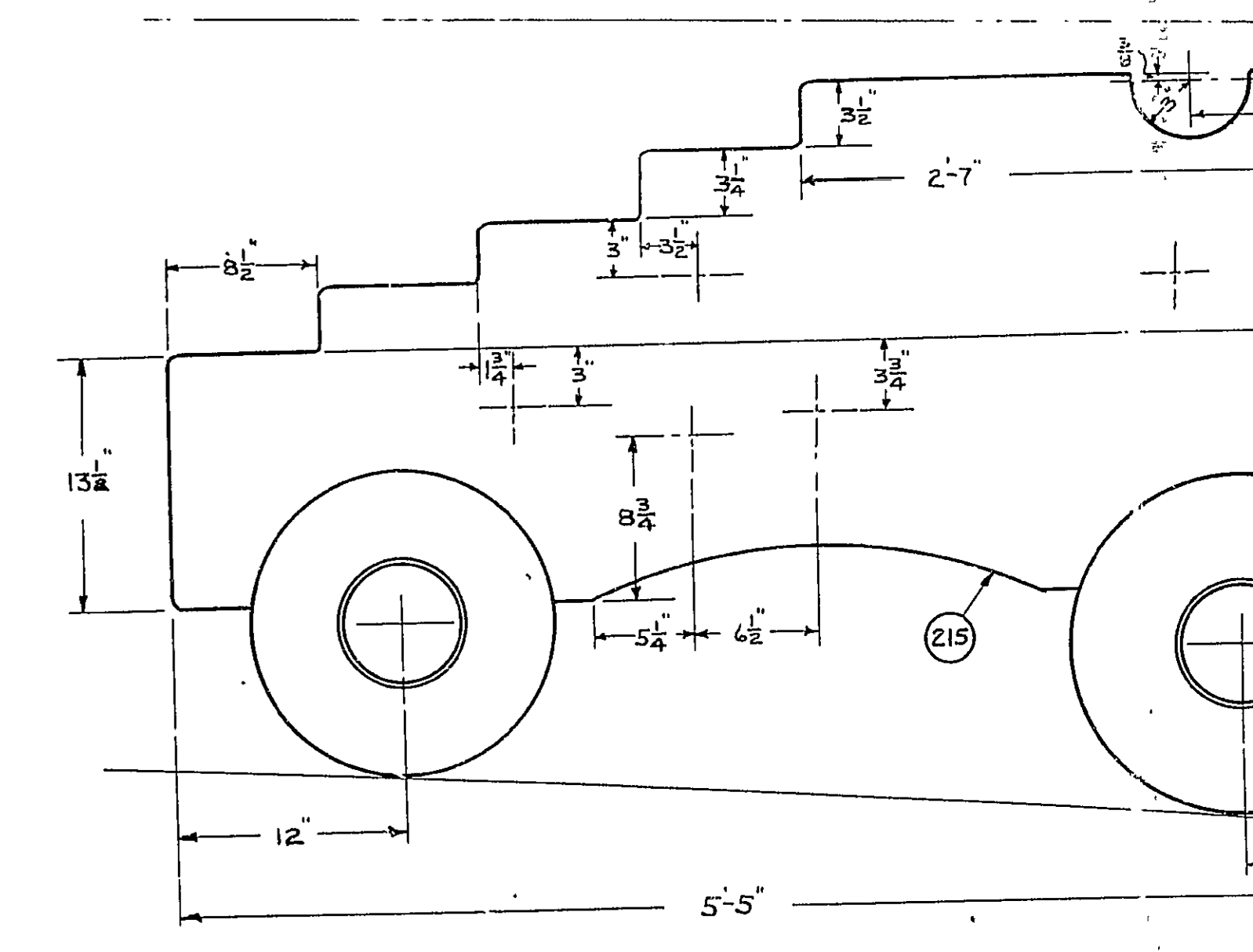


CARRIAGE FOR 24 PDR GUN - ENGLISH TYPE
SCALE 1/2" = 1 FT.
18 REQUIRED
LOCATION - GUN DECK - PORTS 4 TO 12 INC. PORT AND STBD.

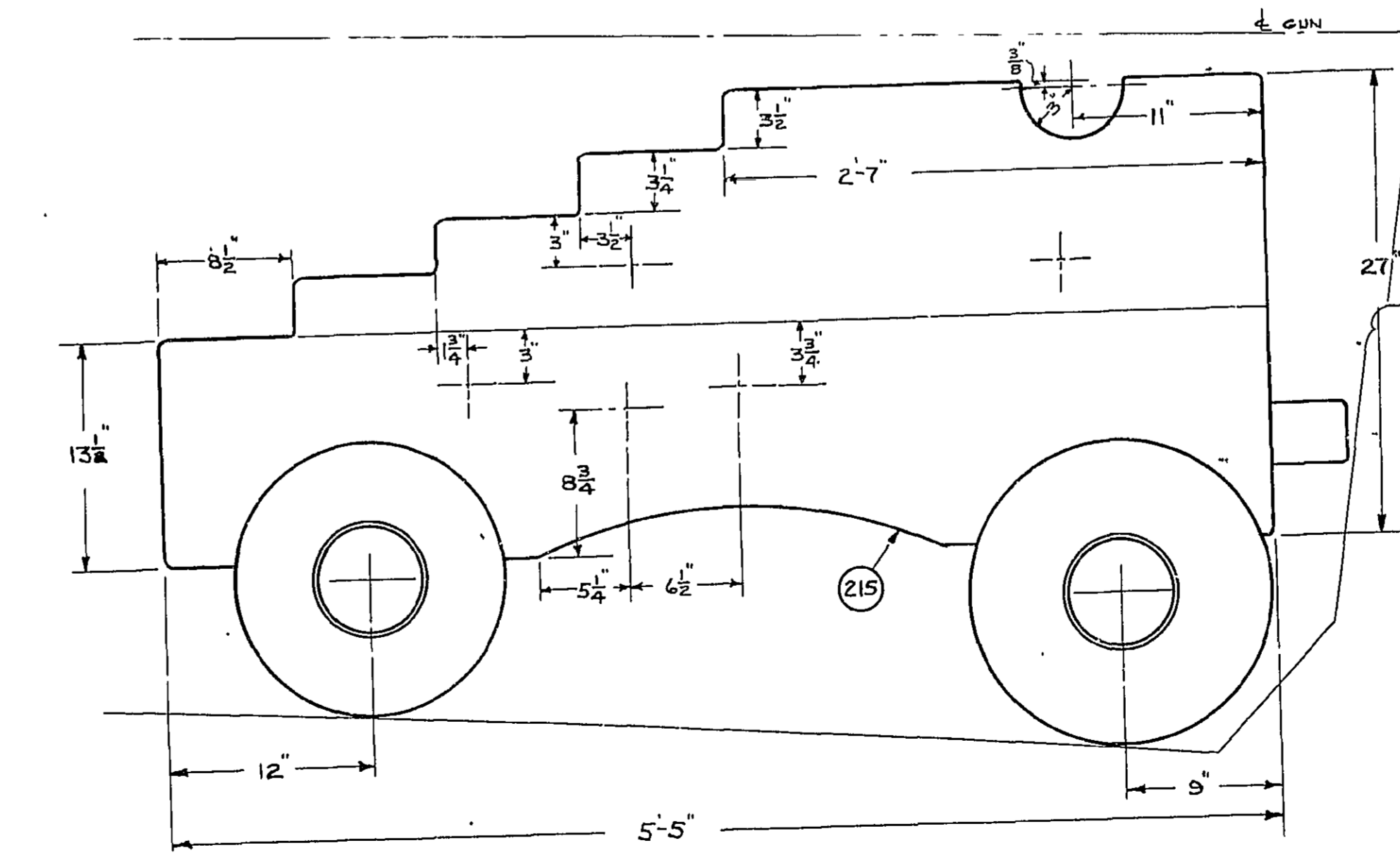
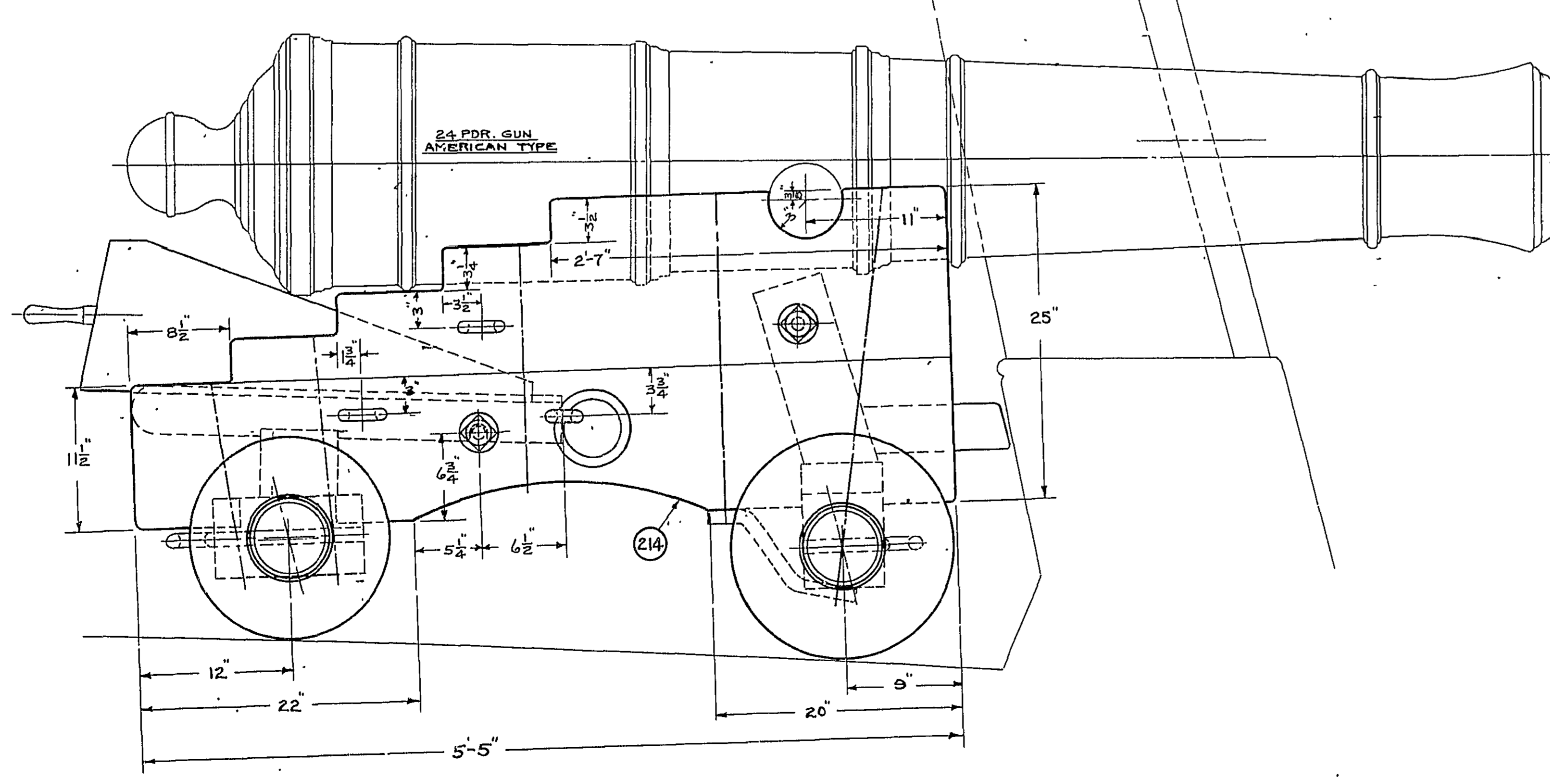
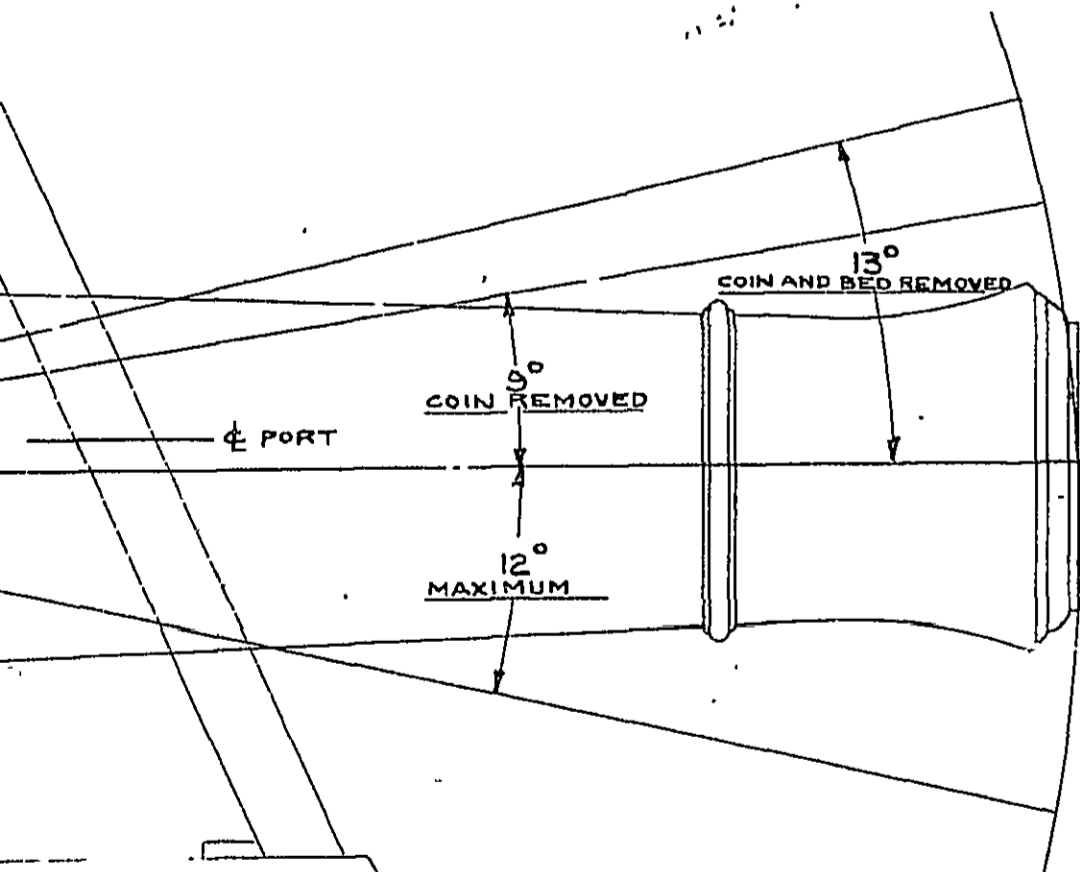
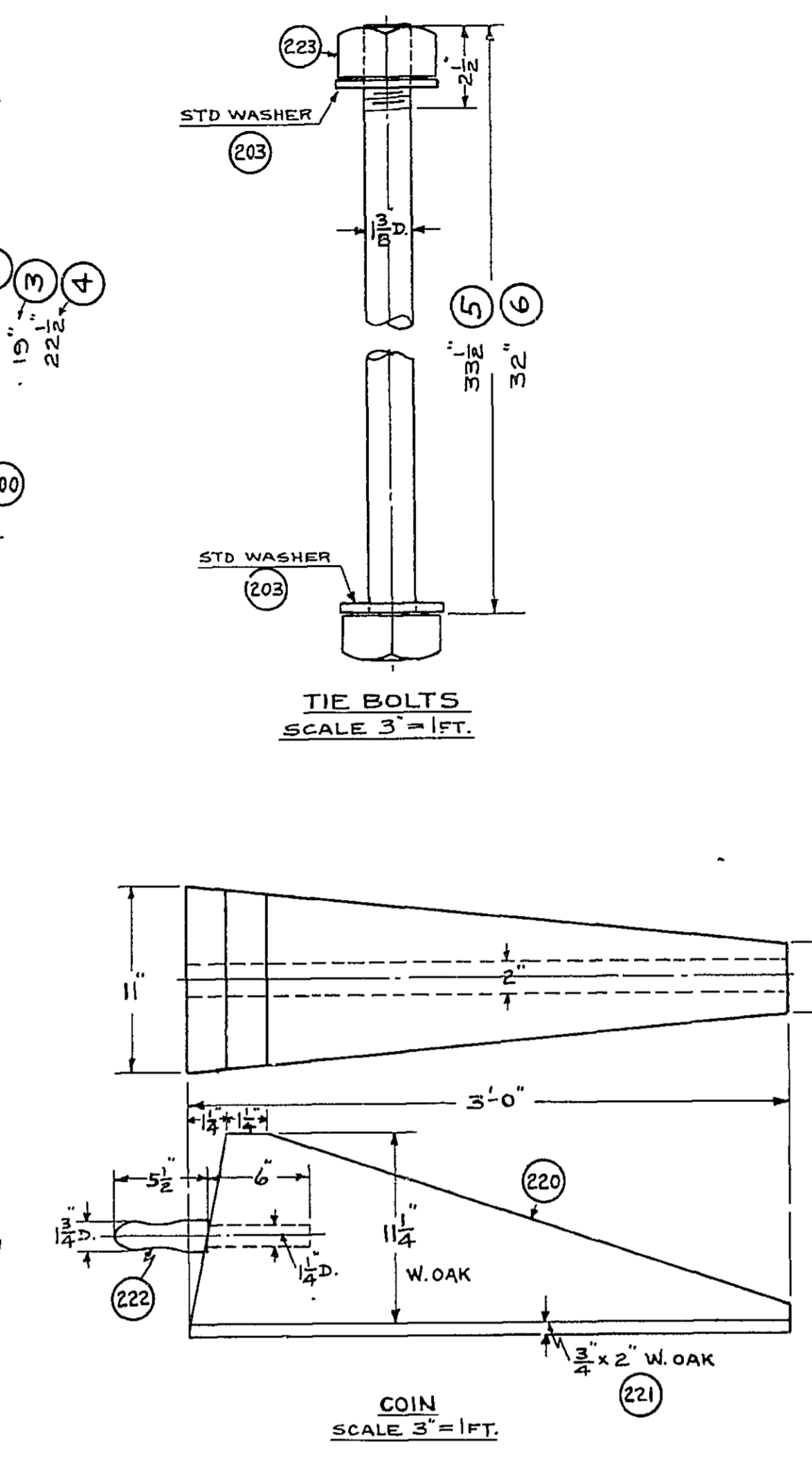
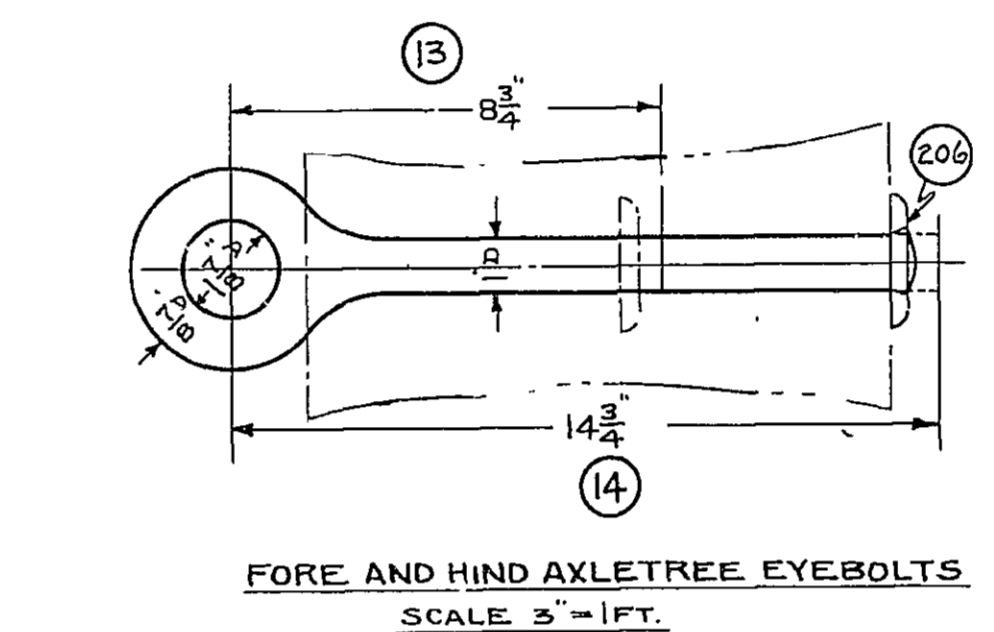
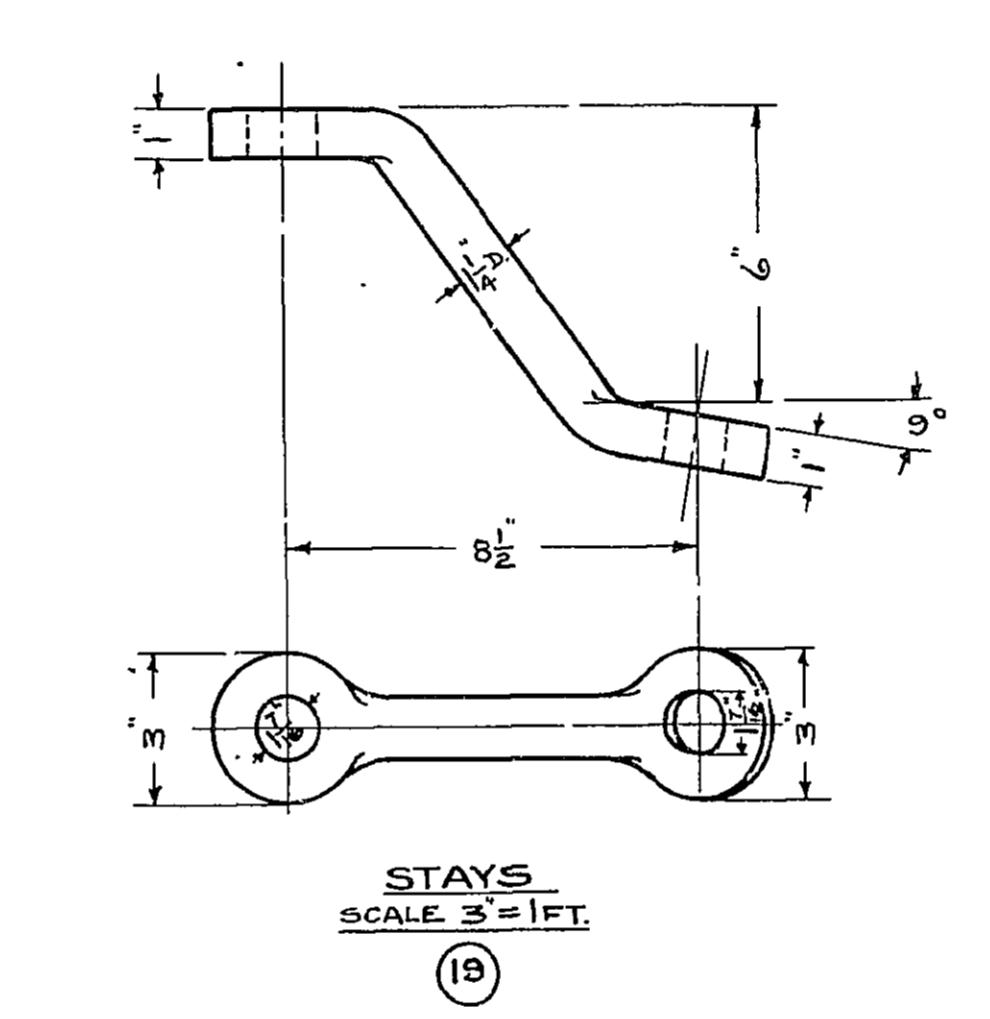
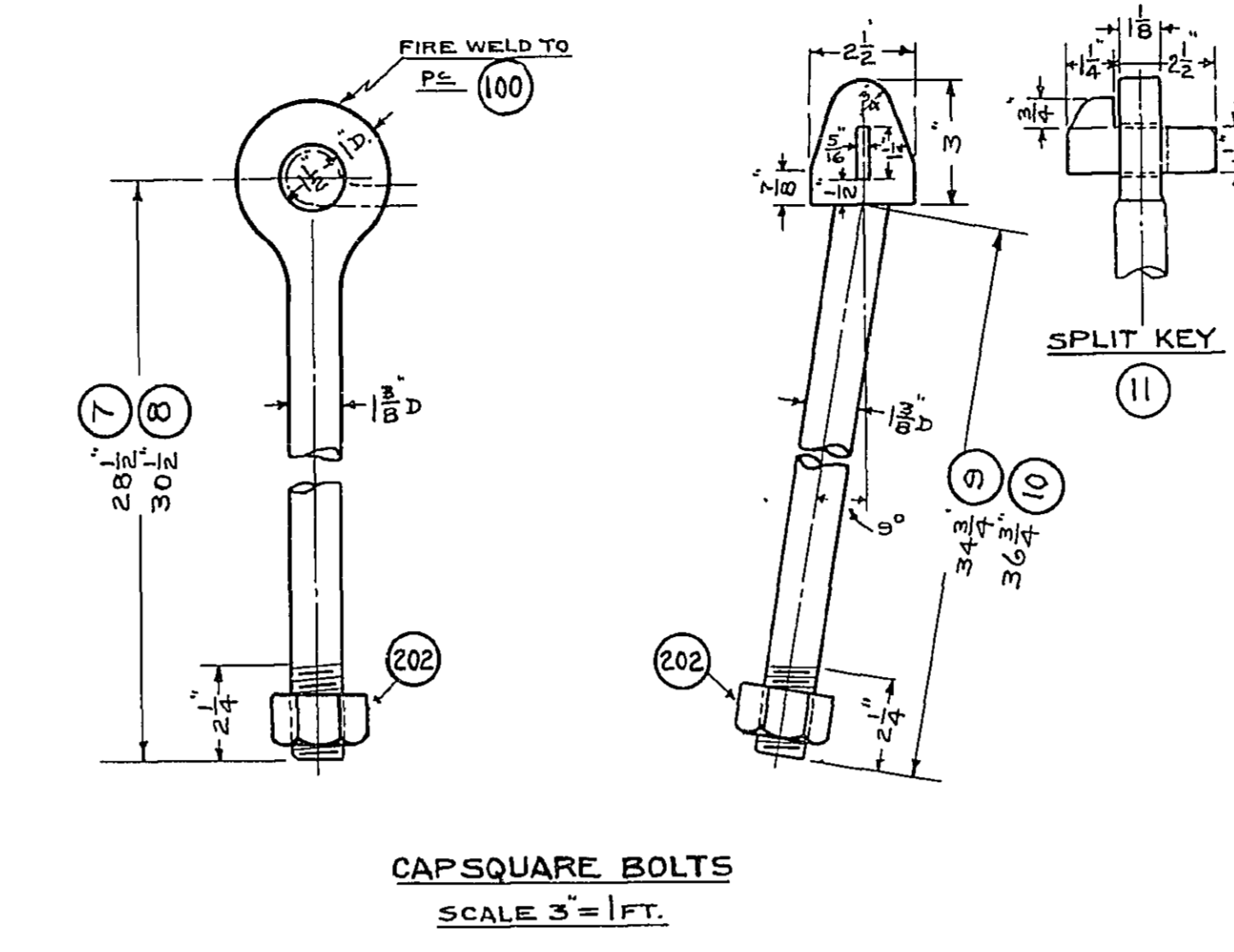
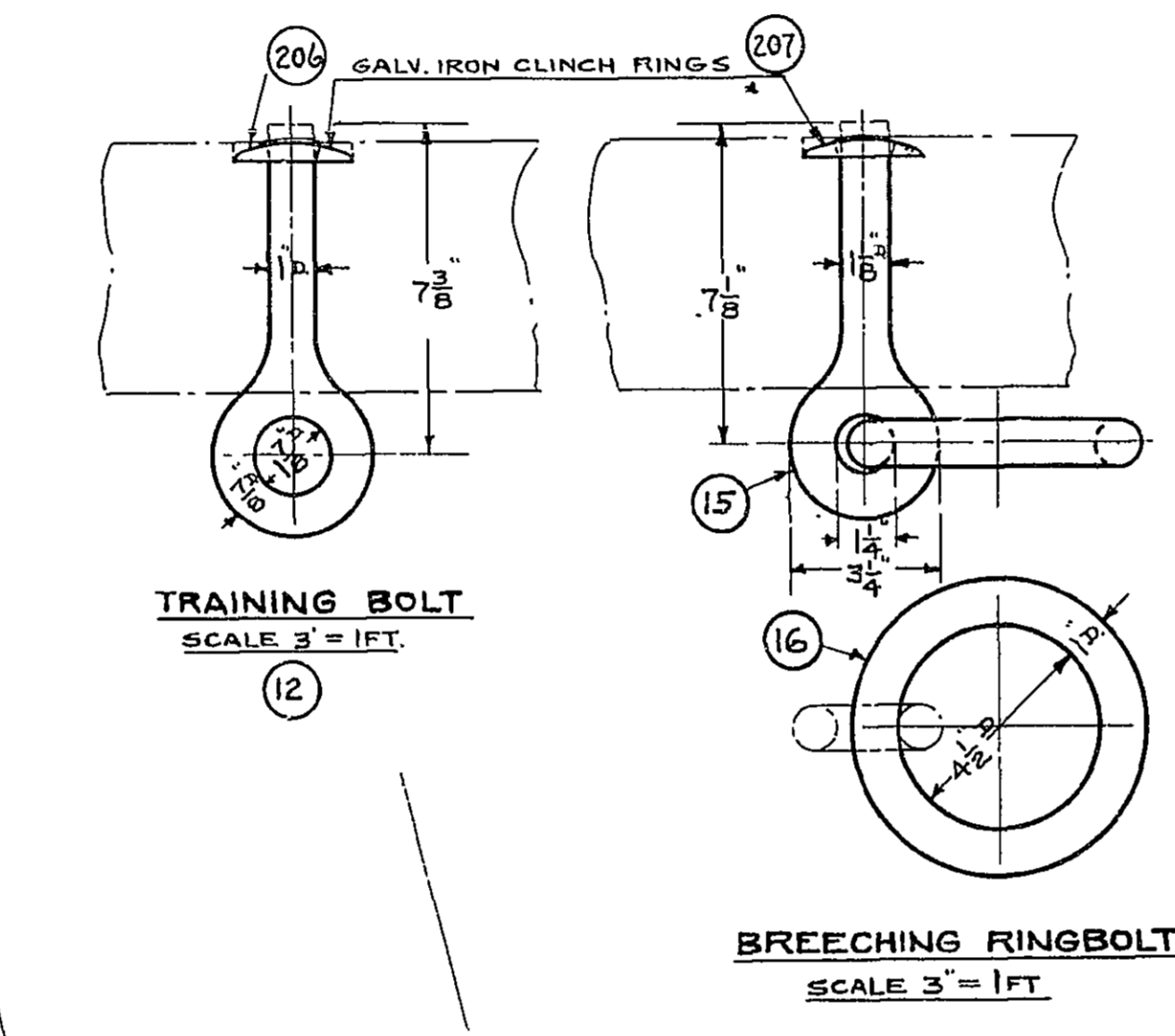
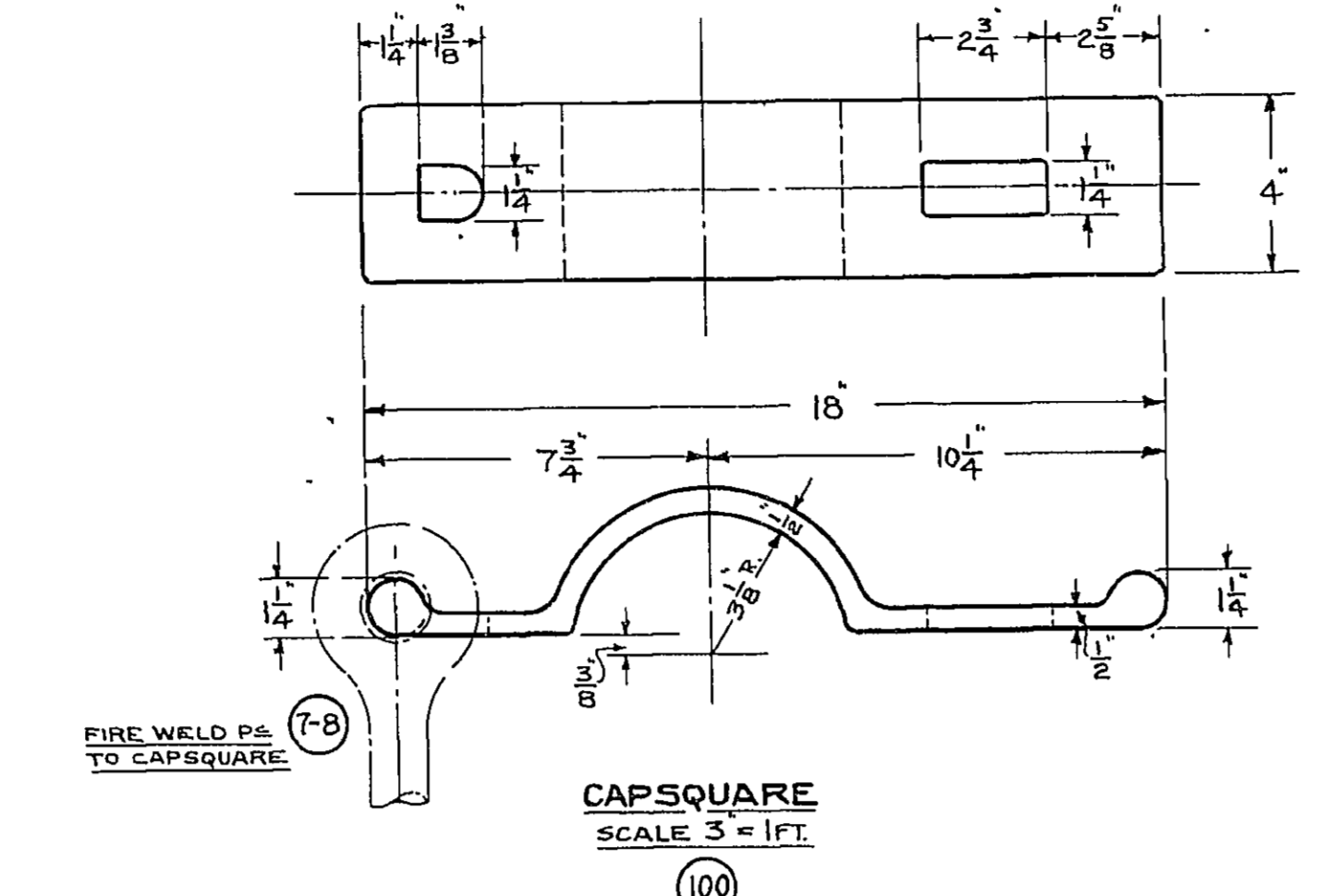
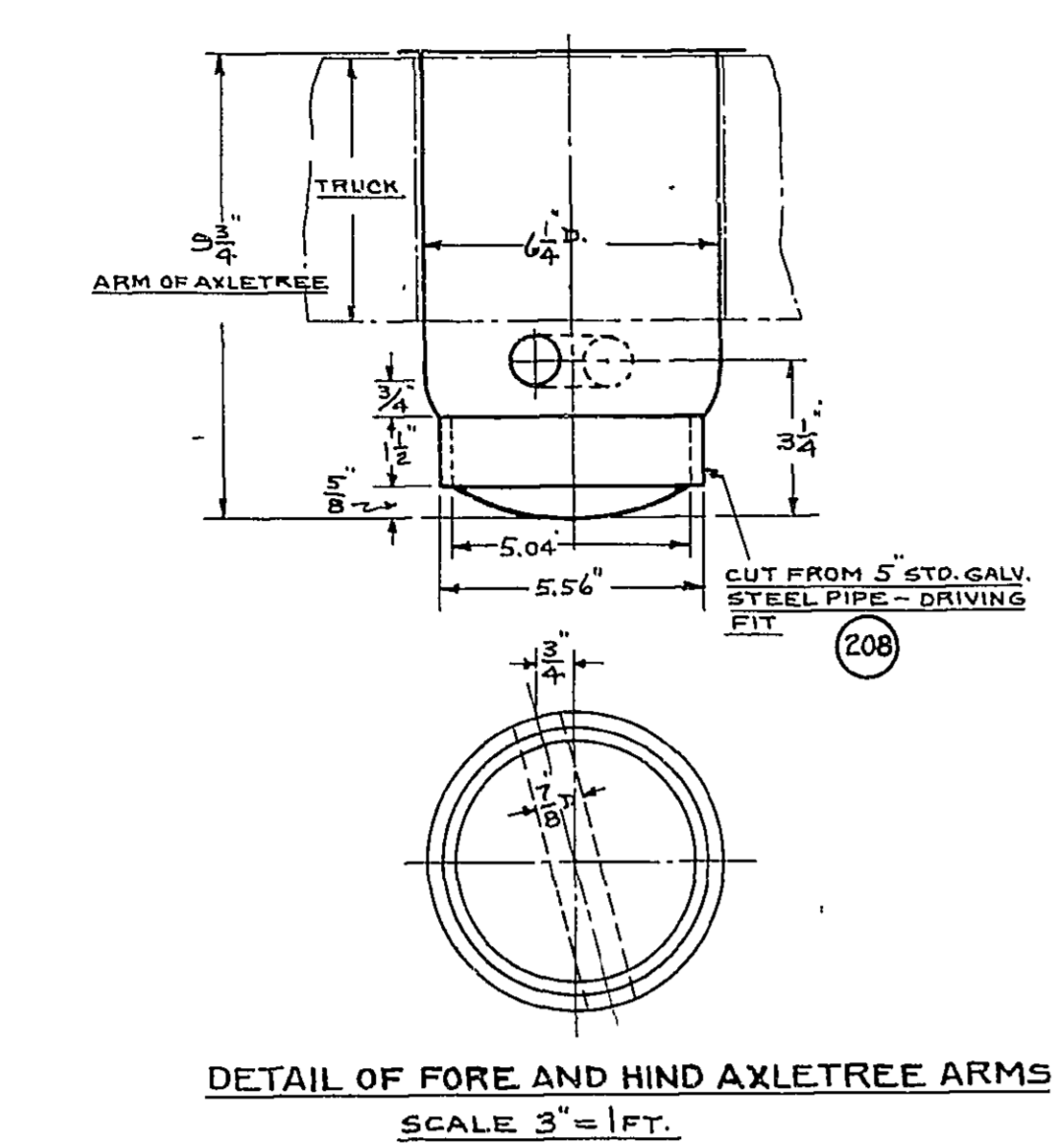
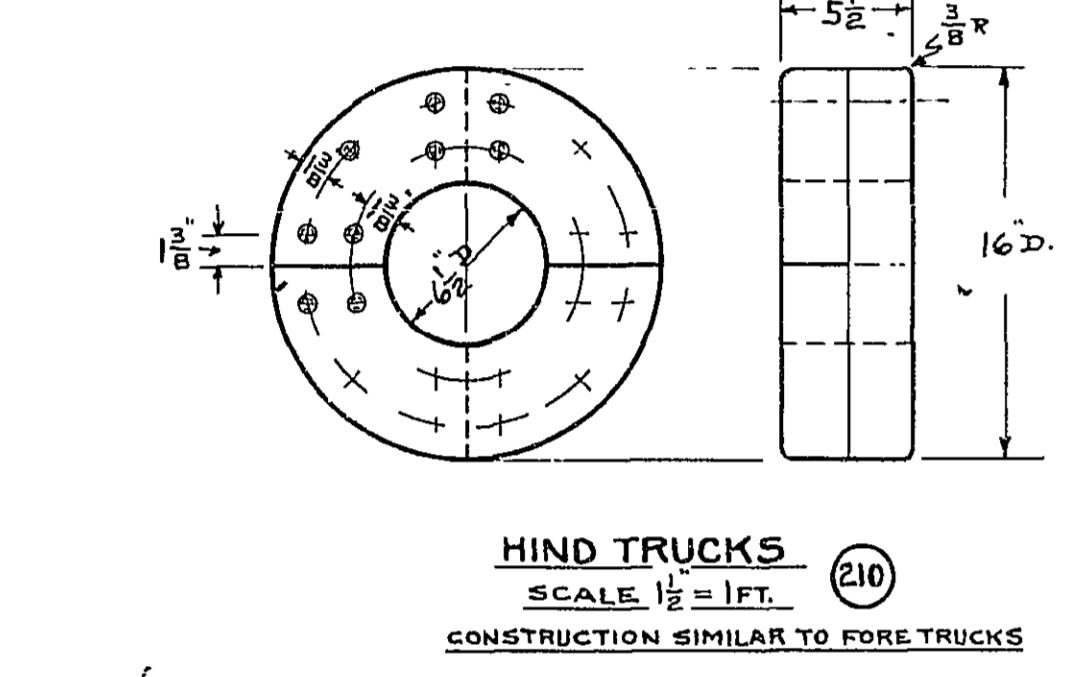
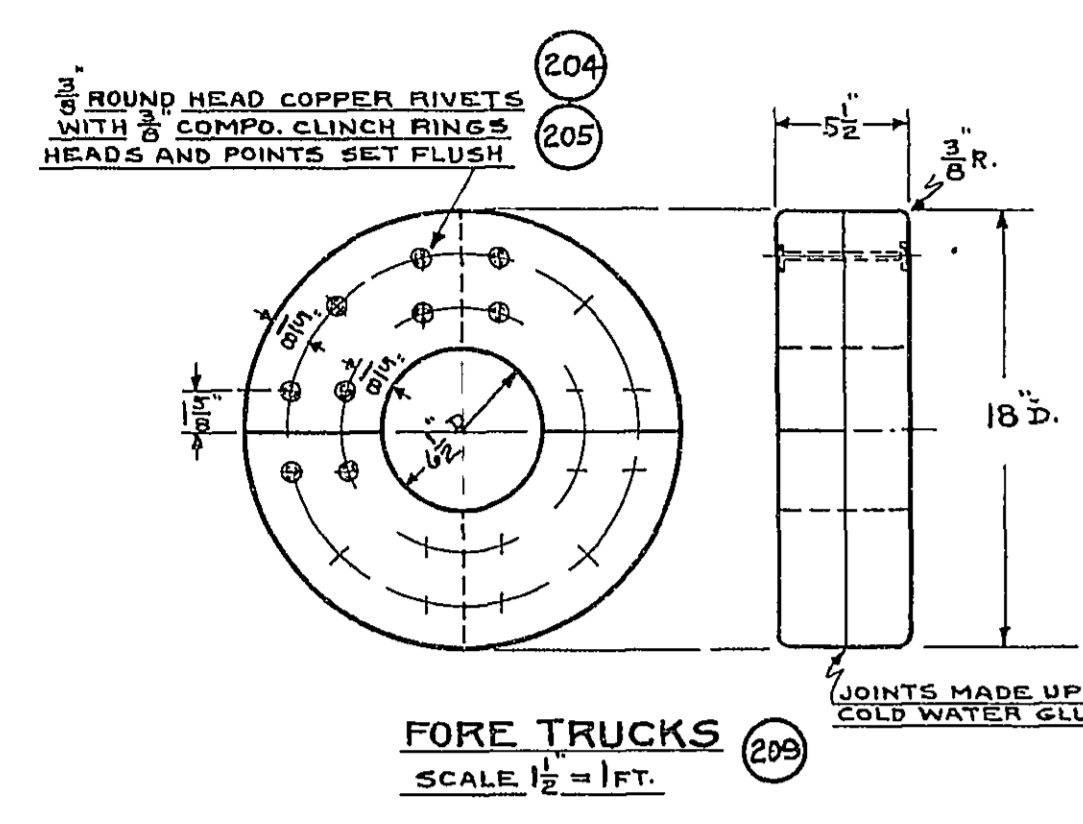


CARRIAGE FOR 24 PDR GUN - AMERICAN TYPE
SCALE 1/2" = 1 FT.
6-REQUIRED
LOCATION - THREE AFTER PORTS - GUN DECK - PORT AND STBD.
CONSTRUCTION SIMILAR TO CARRIAGE FOR ENGLISH GUN EXCEPT AS NOTED



CARRIAGE FOR 24 PDR GUN - AMERICAN TYPE
SCALE 1/2" = 1 FT.
6-REQUIRED
LOCATION - THREE FORWARD PORTS - GUN DECK - PORT AND STBD.
CONSTRUCTION SIMILAR TO CARRIAGE FOR ENGLISH GUN EXCEPT AS NOTED

4'-7"
5'-1/2"



SCHEDULE OF MATERIAL FOR 30 GUN CARRIAGES			
NO.	AMT.	DESCRIPTION	REMARKS
1	48	JOINT BOLT - 1 1/2" D. x 17' L.	MED. STL. THREAD 2 1/2"
2	96	" " " " " "	" " " " " "
3	12	" " " " " "	" " " " " "
4	24	" " " " " "	" " " " " "
5	30	TIE BOLTS 3/8" D. x 35 1/2" L.	" " " " 2 1/2" - SQ HD
6	30	" " " " " "	" " " " " "
7	48	CAP SQUARE EYE BOLT 1 1/2" D. x 28 1/2" L.	" " " " 2 1/2"
8	12	" " " " " "	" " " " " "
9	48	CAP SQUARE KEY BOLT 1 1/2" D. x 34 1/2" L.	" " " " " "
10	12	" " " " " "	" " " " " "
11	60	CAP SQUARE KEY	" " " " " "
12	120	TRAINING EYE BOLT	" " " " DIE #1140
13	30	AXLETREE EYE BOLT - 8 3/8" L.	" " " " DIE #1140
14	30	" " " " 14 1/2" L.	" " " " DIE #1140
15	60	BREACHING EYE BOLT	" " " " DIE #1142
16	60	BUMPER BOLTS - 1 D. 15' L.	" " " " BUTTON HEAD
17	60	BED BLOCK BOLTS - 3/4" D. x 13' L.	" " " " SQ. HEAD AND NUT
18	60	STAYS	" " " " " "
19	120	LINCHPINS	" " " " " "
100	60	CAP SQUARES	CAST STL.
200	180	HEX NUTS - 1 1/2"	MED. STL.
201	180	WASHERS - FOR 1 1/2" BOLTS	" " " " STD.
202	120	HEX NUTS - 1 1/8"	" " " " " "
203	120	WASHERS - FOR 1 1/8" BOLTS	" " " " " "
204	2500	3/8" D ROUND HD RIVETS - 4" LONG	COPPER
205	2500	3/8" CLINCH RINGS	COMPO.
206	240	1" CLINCH RINGS	STEEL GALV.
207	60	1 1/8" CLINCH RINGS	" " " " " "
208	120	FERRULES - AXLETREE	" " " " CUT FROM 5" STD. GAL PIPE
209	60	FORE TRUCKS - 18" D.	W. OAK
210	60	HIND TRUCKS - 16" D.	" " " " " "
211	30	FORE AXLETREES	" " " " 4'-7" x 10" x 6 1/2"
212	30	HIND AXLETREES	" " " " 4'-7" x 12" x 6 1/2"
213	36	SIDES	" " " " 5'-11" x 25" x 5 1/2"
214	12	SIDES	" " " " 5'-5" x 25" x 5 1/2"
215	12	SIFFS	" " " " 5'-5" x 27" x 5 1/2"
216	30	TRANSOM	" " " " 22" x 16" x 5 1/2"
217	30	BED BLOCK	" " " " 23" x 5 1/2" x 5 1/2"
218	30	BED	" " " " 2'-10 1/2" x 12" x 3 1/2"
219	30	BUMPER	" " " " 2'-6" x 12" x 3 1/2"
220	30	COIN	" " " " " "
221	30	COIN BATTEN	" " " " " "
222	30	COIN HANDLES	" " " " " "
223	60	SQUARE NUTS - 1 1/8"	" " " " " "

NOTES -

- EXACT HEIGHT OF BED BLOCK PS # 217 TO BE DETERMINED BY TRIAL ON SHIP SO THAT MUZZLE OF GUN WHEN SECURED FOR SEA WILL BEAR ON THE TOP INNER EDGE OF THE GUN PORT.
- WOOD JOINTS TO BE MADE UP WITH WHITE LEAD.
- IRON WORK TO BE GIVEN ONE COAT OF RED LEAD BEFORE INSTALLATION.
- COMPLETED CARRIAGES TO BE GIVEN ONE COAT OF PRIMUM AND TWO COATS OF BLACK.

REFERENCE PLANS -
24 PDR GUN - ENGLISH TYPE BOSTON NS 22128
24 PDR GUN - AMERICAN TYPE " " 22129

CORRECTED FOR FINISHED PLAN
RESTORATION 1927-1931
U.S. FRIGATE CONSTITUTION
GUN CARRIAGES
FOR 24 PDR GUNS - GUN DECK
NAVY YARD BOSTON OCTOBER 2, 1930
SCALES INDICATED

APPROVED FOR MANAGER
John A. Long
LIEUT. (C.C.) U. S. N.
SUPT. OF RESTORATION