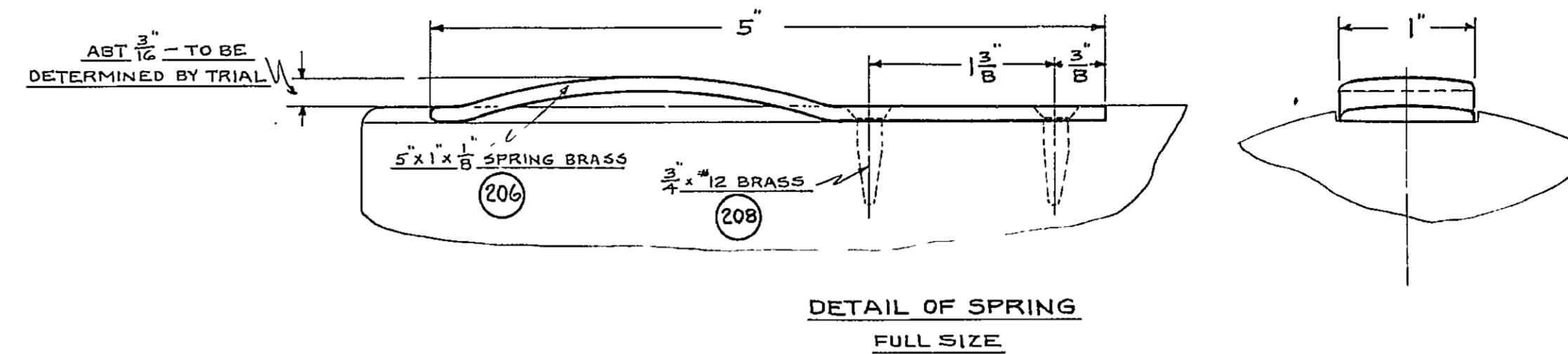
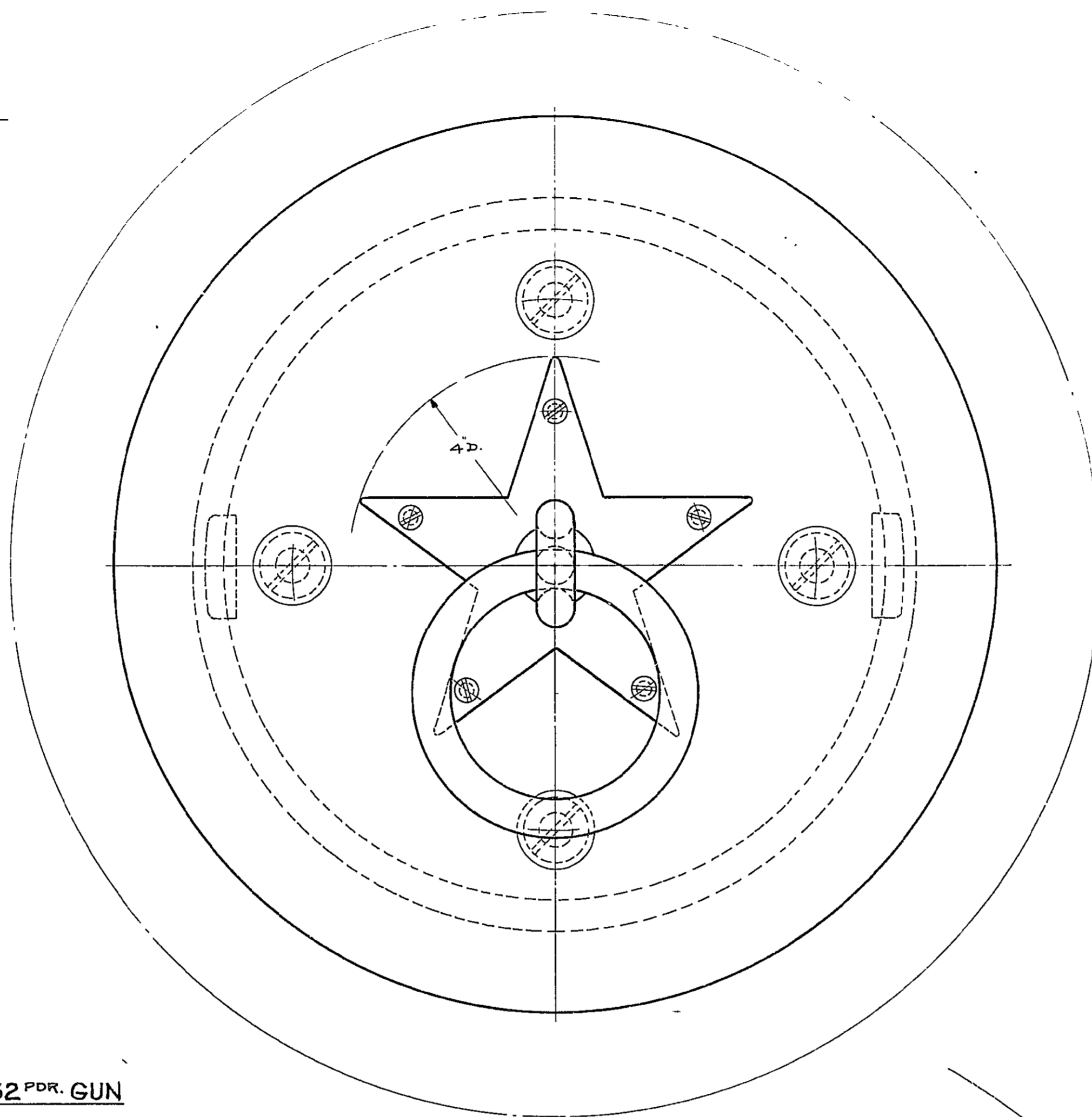


TOMPION FOR 32<sup>POUNDS</sup> GUN  
FULL SIZE



DETAIL OF SPRING  
FULL SIZE

| SCHEDULE OF MATERIAL FOR 52 TOMPIONS |     |                                   |                |                                  |
|--------------------------------------|-----|-----------------------------------|----------------|----------------------------------|
| NO                                   | AMT | DESCRIPTION                       | MATERIAL       | REMARKS                          |
| 200                                  | 20  | TOMPION FOR 32 PDR. GUN           | W. OAK         | 2 PIECES                         |
| 201                                  | 32  | " " " 24 PDR. "                   | " "            | " "                              |
| 202                                  | 52  | STARS                             | POLISHED BRASS | CUT FROM PLATE                   |
| 203                                  | 52  | RING BOLT - 3/8" D. - THREAD 3/4" | POLISHED BRASS | 20-BOLTS 10" LONG<br>32 " 9 1/2" |
| 204                                  | 52  | SQUARE NUTS FOR 3/8" D. BOLT      | BRASS          |                                  |
| 205                                  | 52  | WASHERS                           | " "            | " "                              |
| 206                                  | 104 | SPRINGS                           | " "            | " "                              |
| 207                                  | 178 | SCREWS - FLAT HD. 2 1/2" x #20    | " "            | " "                              |
| 208                                  | 202 | " " " 3/4" x #12                  | " "            | " "                              |
| 209                                  | 260 | " " " 3/8" x #6                   | " "            | " "                              |
| 210                                  | 178 | BUNGS - 3/8" D.                   | OAK            |                                  |

NOTE - FOR RING BOLTS SEE THOMAS LAUGHLIN CATALOG NO. 90, PAGES 69 AND 70

- 1 - SPRINGS, PE #206, TO BE SO ADJUSTED THAT A PULL OF ABOUT 15 LBS. WILL BE REQUIRED TO REMOVE TOMPION FROM THE GUN.
- 2 - TOMPIONS TO BE PAINTED ONE PRIMING COAT AND TWO COATS OF BLACK - STAR, RING AND EYE OF BOLT TO BE POLISHED BRIGHT AND LACQUERED.

REFERENCE PLANS -

|                             |                       |
|-----------------------------|-----------------------|
| 32 PDR. CARRONADE GUN       | BOSTON PLAN NO. 2125D |
| 24 PDR. GUN - ENGLISH TYPE  | " " " 2212B           |
| 24 PDR. GUN - AMERICAN TYPE | " " " 2212D           |
| 24 PDR. GUN - BOW CHASER    | " " " 2236I           |

RESTORATION 1927  
**U.S. FRIGATE CONSTITUTION**  
 TOMPIONS FOR GUNS  
 NAVY YARD BOSTON, OCTOBER 24, 1930  
 SCALE - FULL SIZE

APPROVED FOR MANAGER

*John A. Long*  
 LIEUT. (C.C.) U. S. N.  
 SUPT. OF RESTORATION

TOMPION FOR 24<sup>POUNDS</sup> GUN  
FULL SIZE

