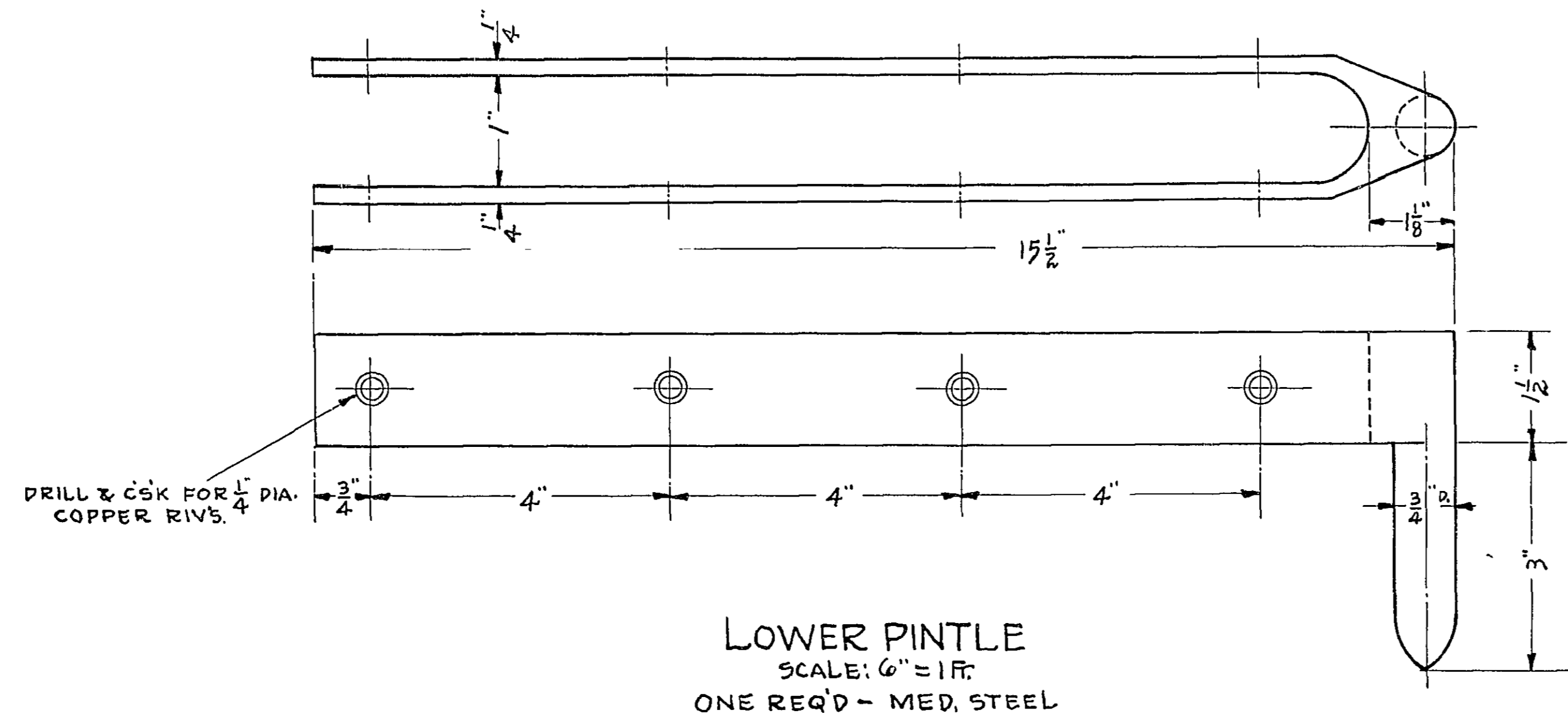
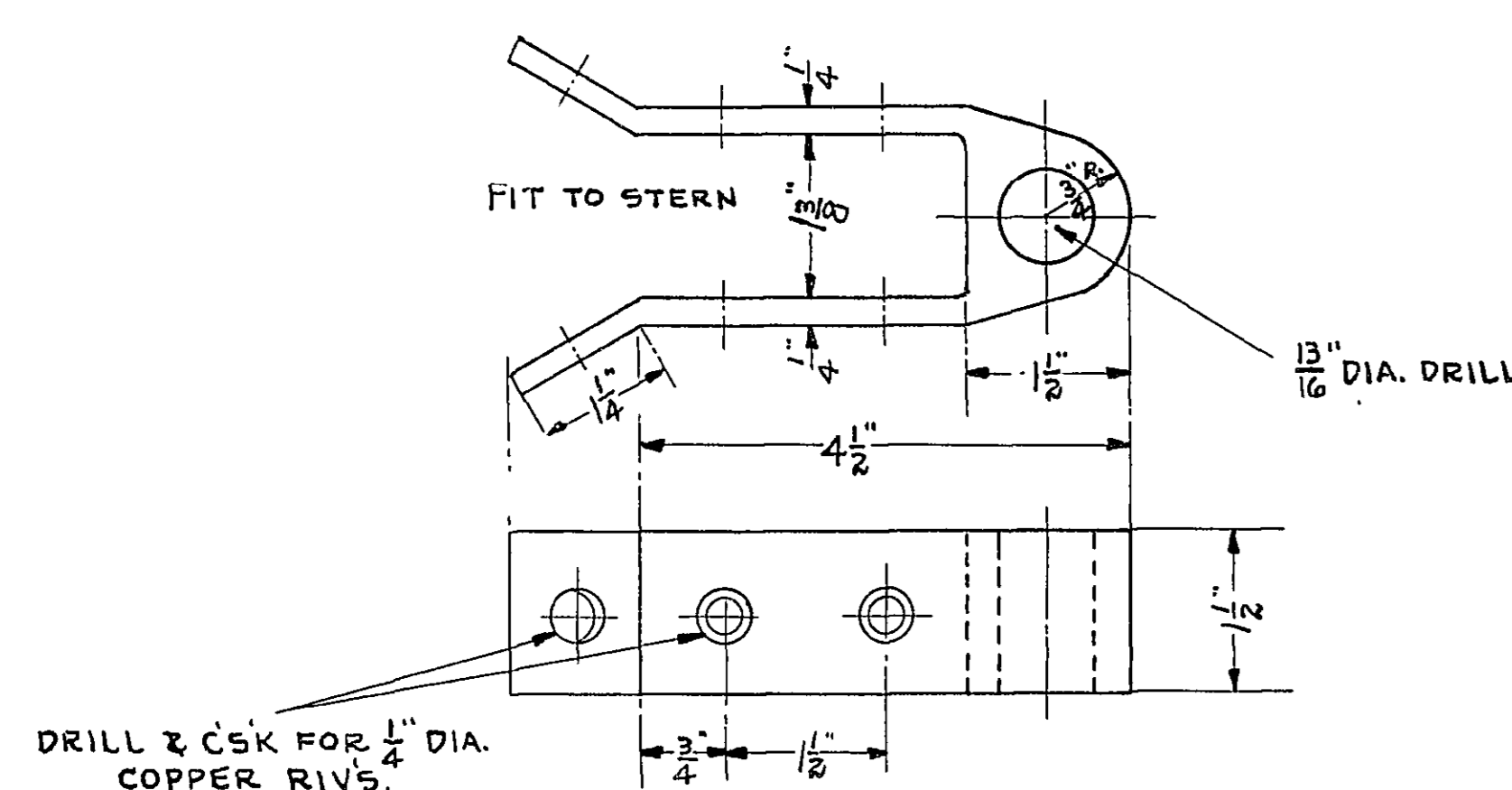


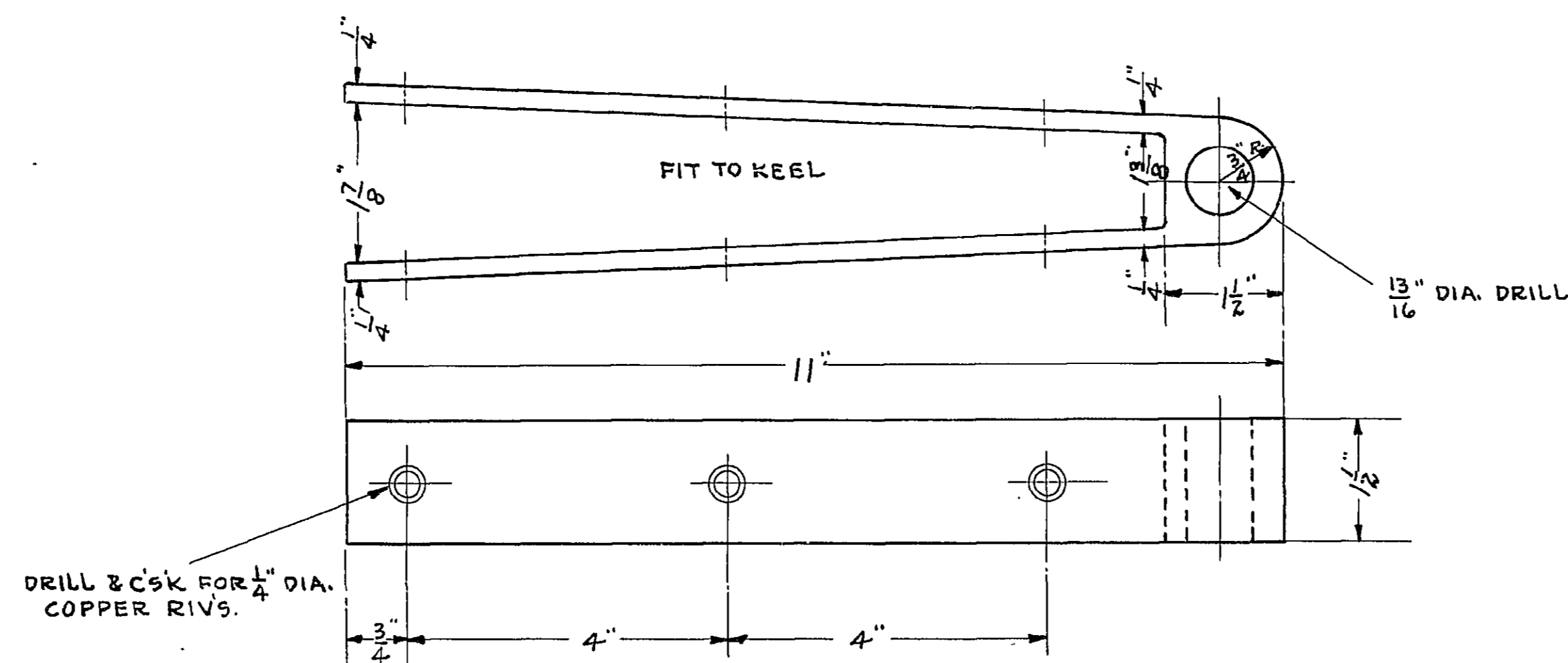
UPPER PINTLE
SCALE: 6" = 1 FT.
ONE REQ'D - MED. STEEL



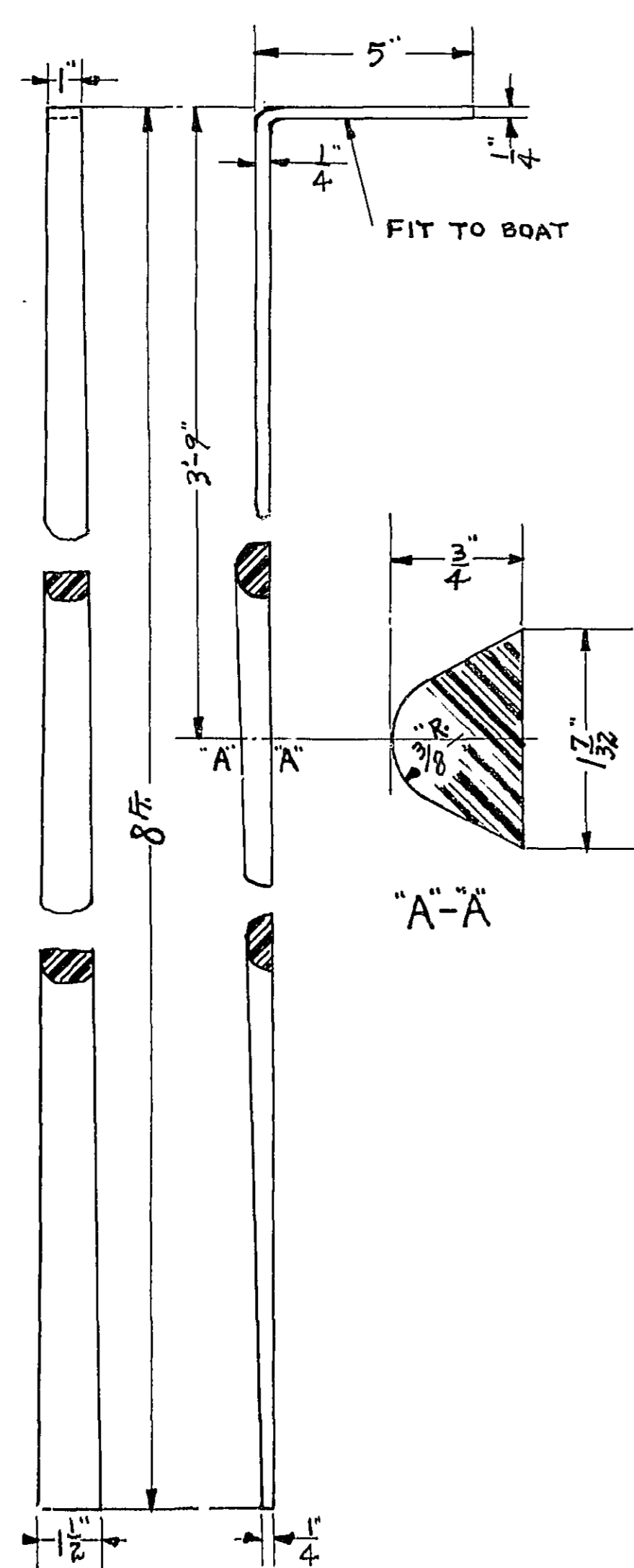
LOWER PINTLE
SCALE: 6" = 1 FT.
ONE REQ'D - MED. STEEL



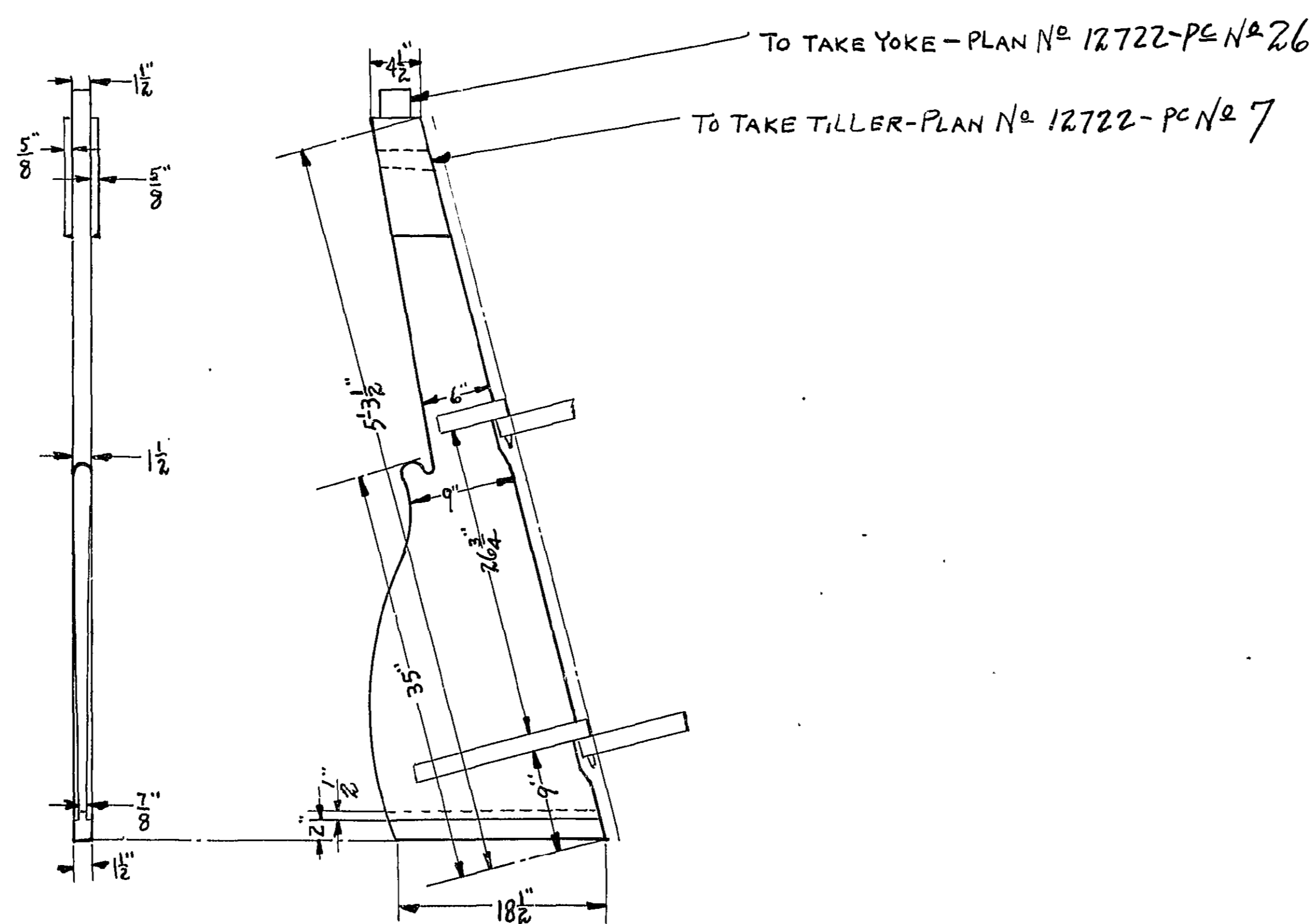
UPPER GUDGEON
SCALE: 6" = 1 FT.
ONE REQ'D - MED. STEEL



LOWER GUDGEON
SCALE: 6" = 1 FT.
ONE REQ'D - MED. STEEL



STEM BAND
SCALE: 1 1/2" = 1 FT.
ONE REQ'D - MED. STEEL
FASTENING TO SUIT



RUDDER
SCALE: 1" = 1 FT.
ONE REQ'D - W. OAK

REFERENCE PLANS

GENERAL ARRANGEMENT 28 FOOT GIG WHALEBOAT	BOSTON No. 23478	BOSTON No. 22350	PL. No. 204
CLEATS	" " 12563	" " 105	
HOIST PAD-SLING	C & P No. 26135	" " 16628	" " 2
MAST STEPS	" " 27833	" " 15101	" " 29
SHROUD EYE	" " 27685	" " 12563	" " 111
SIDE GUY PAD EYE	" " 26135	" " 12722	" " 26
YOKE	" " 26211	" " 12722	" " 7
TILLER	" " 26211	" " 12562	" " 2
RING BOLT	" " 26111	" " 12562	" " 14
HOISTING ROD	" " 26111	" " 12334	" " 10
HOISTING PAD	" " 25738	" " 12334	" " 8
PIN (HOISTING ROD)	" " 25738	" " 12564	" " 20
HOISTING SHACKLE	" " 26177	" " 12334	" " 2
PIN (SHACKLE)	" " 25738	" " 12334	" " 384
SPLIT PLATE	" " 25738	" " 12562	" " 15
HOISTING ROD	" " 26111	" " 12334	" " 9
SPLIT PIN	" " 25738	" " 15104	" " 14
MAST PLATE	" " 27490	" " 15104	" " 5
GANG BOARD RING	" " 25738	" " 12334	" " 19
FLAG STAFF SOCKET (FORWARD)	" " 27490	" " 15104	" " 5
SPRAY BOARD END FITTING	" " 27834	" " 16636	" " 4
THWART KNEE	" " 27834	" " 16636	" " 23
FLAG STAFF SOCKET (AFT)	" " 27490	" " 15104	" " 1

NOTE:
GUDGEONS & PINTLES TO BE HEATED & DIPPED IN OIL.

U.S. FRIGATE CONSTITUTION
NAVY YARD BOSTON APRIL - 1931
FITTINGS FOR 28 FT. GIG WHALEBOAT

R. M. Rush
FOR THE MANAGER

DRAWN BY: *M. Umha*
C.S.

No. 23473

U.S. FRIGATE CONSTITUTION - FITTINGS FOR 28 FT. GIG WHALEBOAT