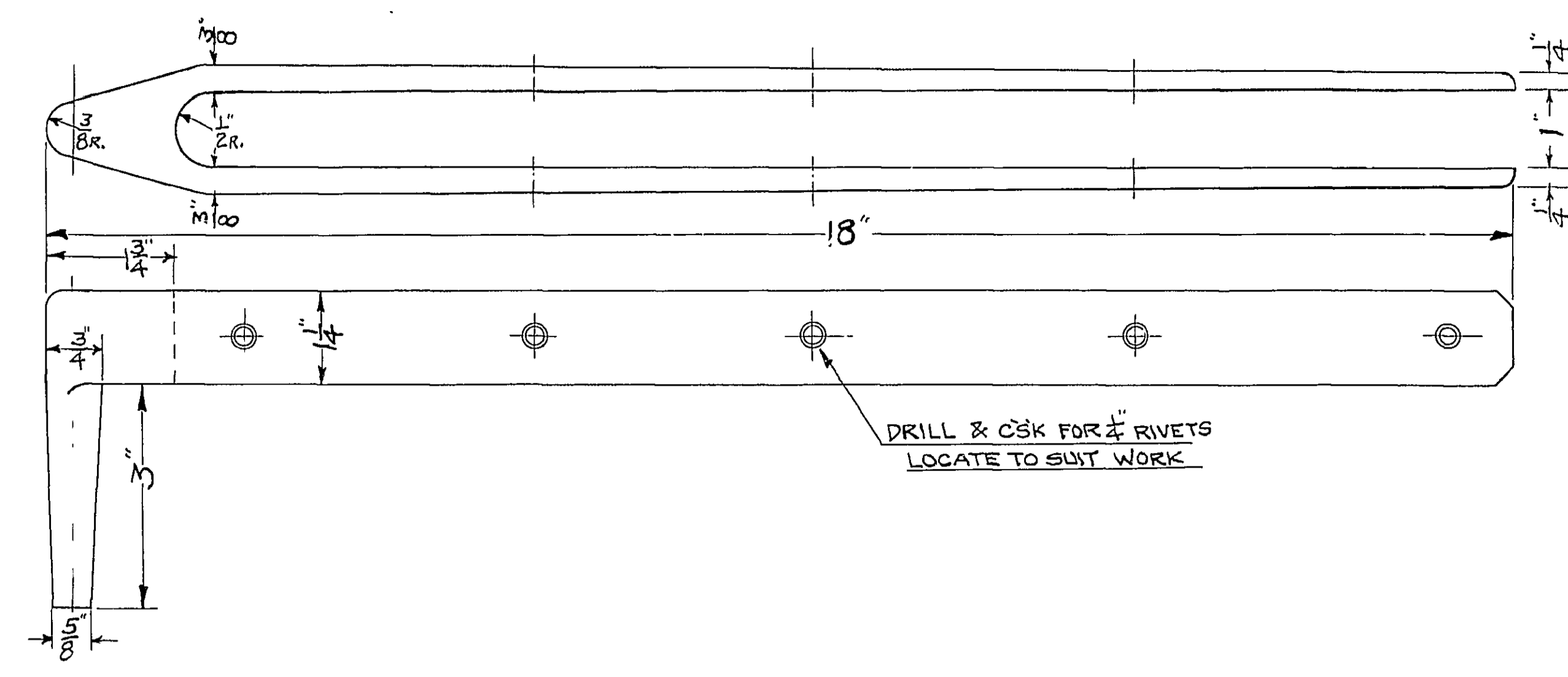
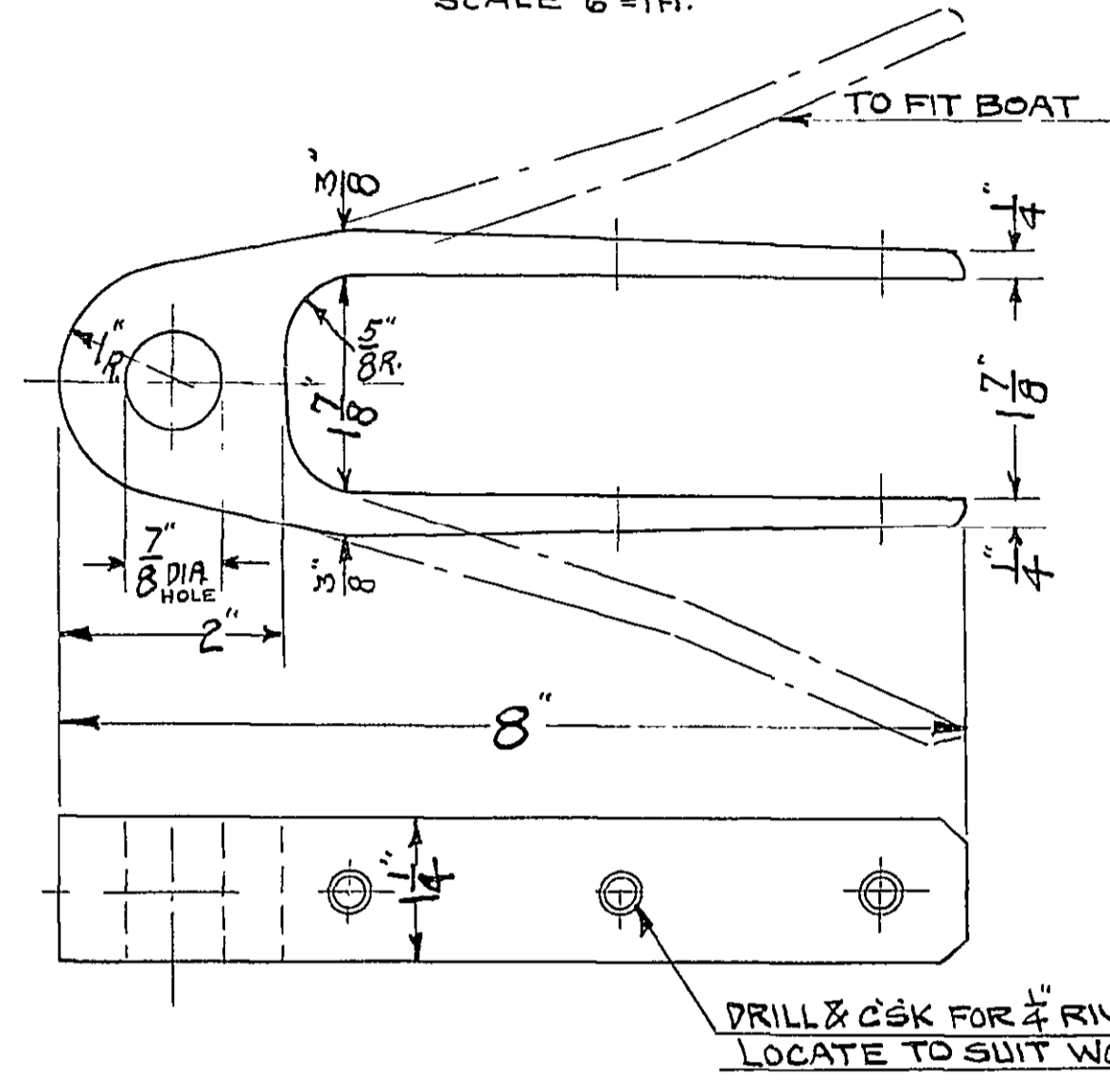


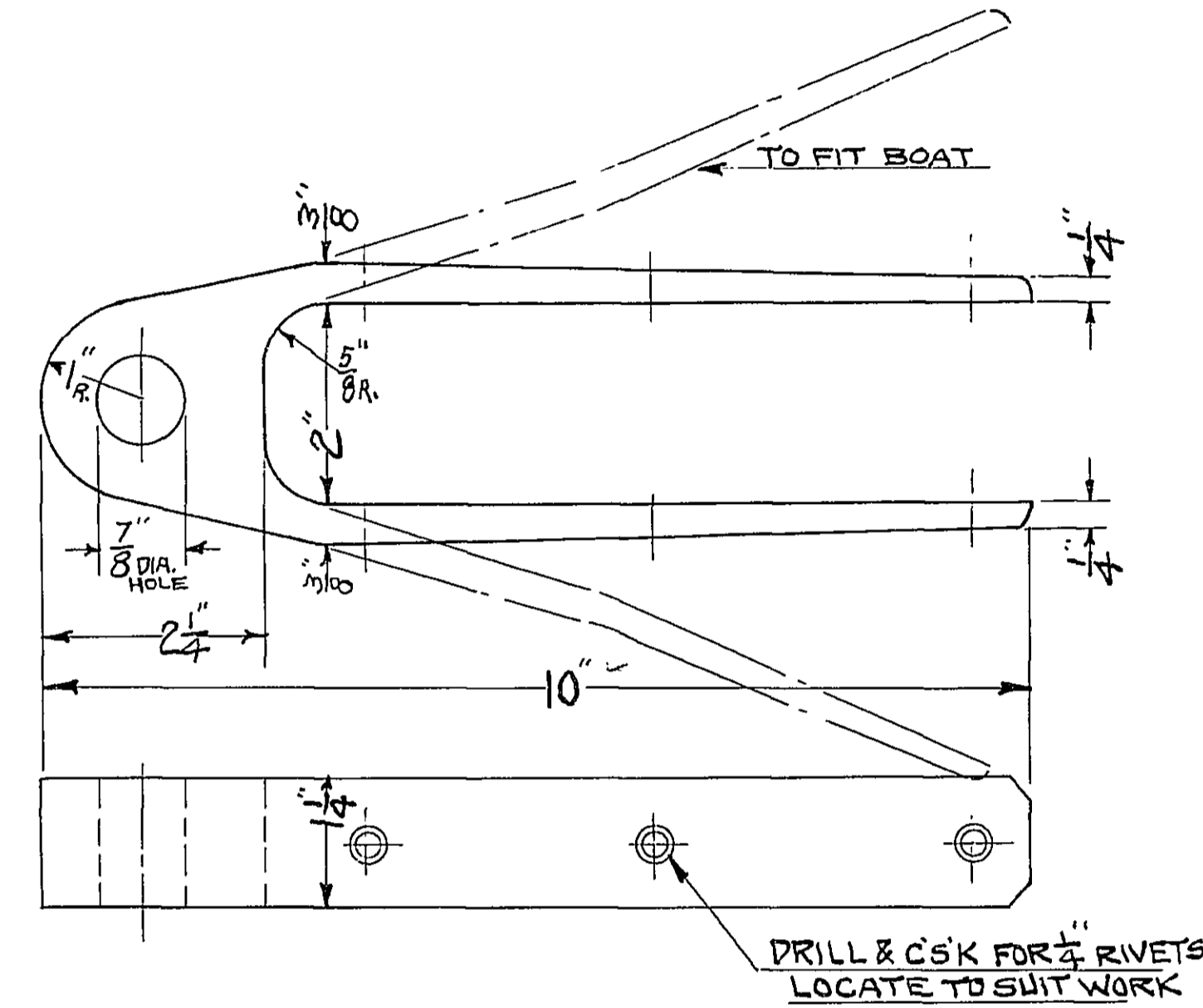
UPPER PINTLE
MAKE 2 - MAT'L WRT IRON
SCALE 6"=1 FT.



LOWER PINTLE
MAKE 2 - MAT'L WRT IRON
SCALE 6"=1 FT.



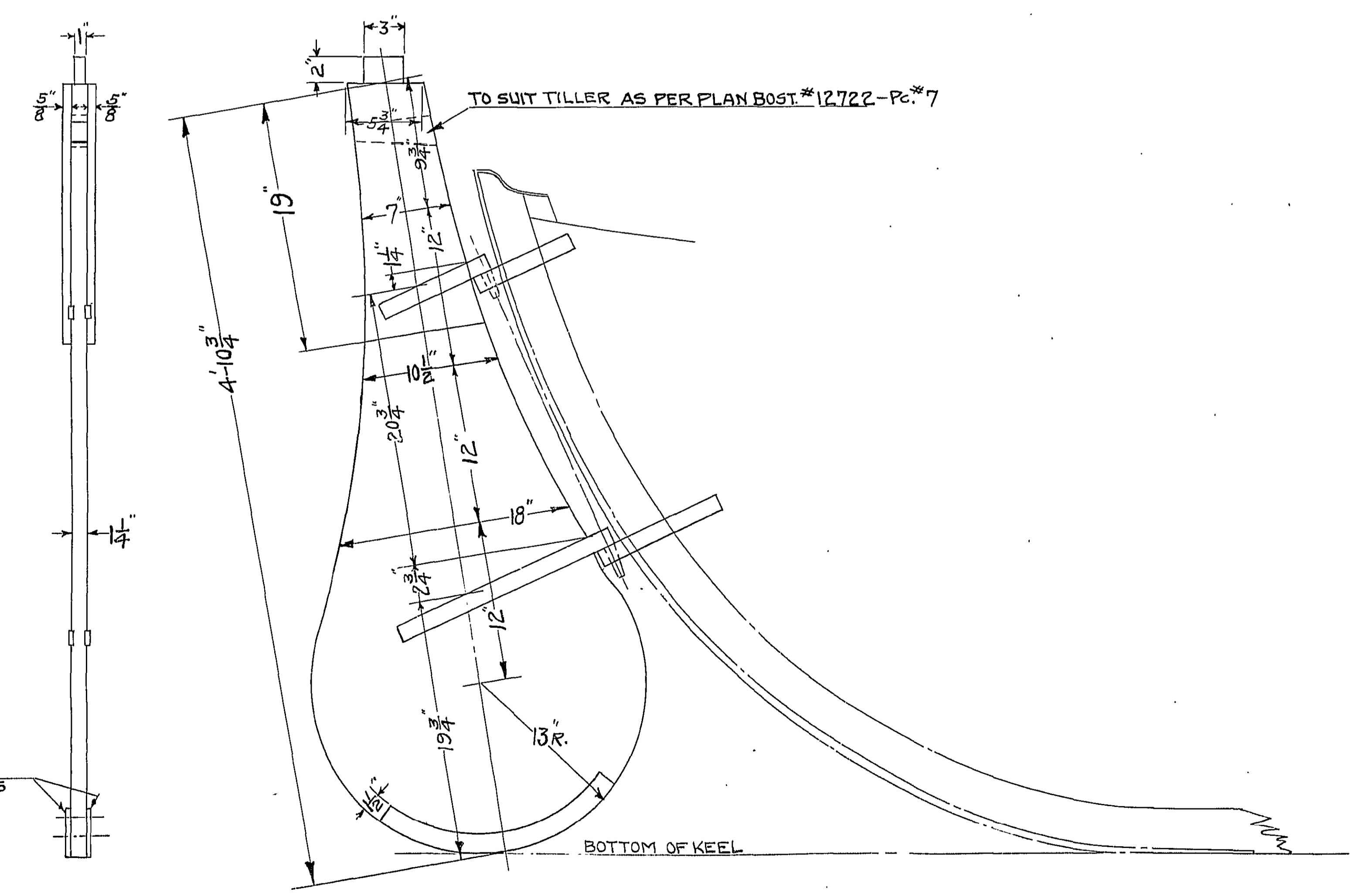
UPPER GUDGEON
MAKE 2 - MAT'L WRT IRON
SCALE 6"=1 FT.



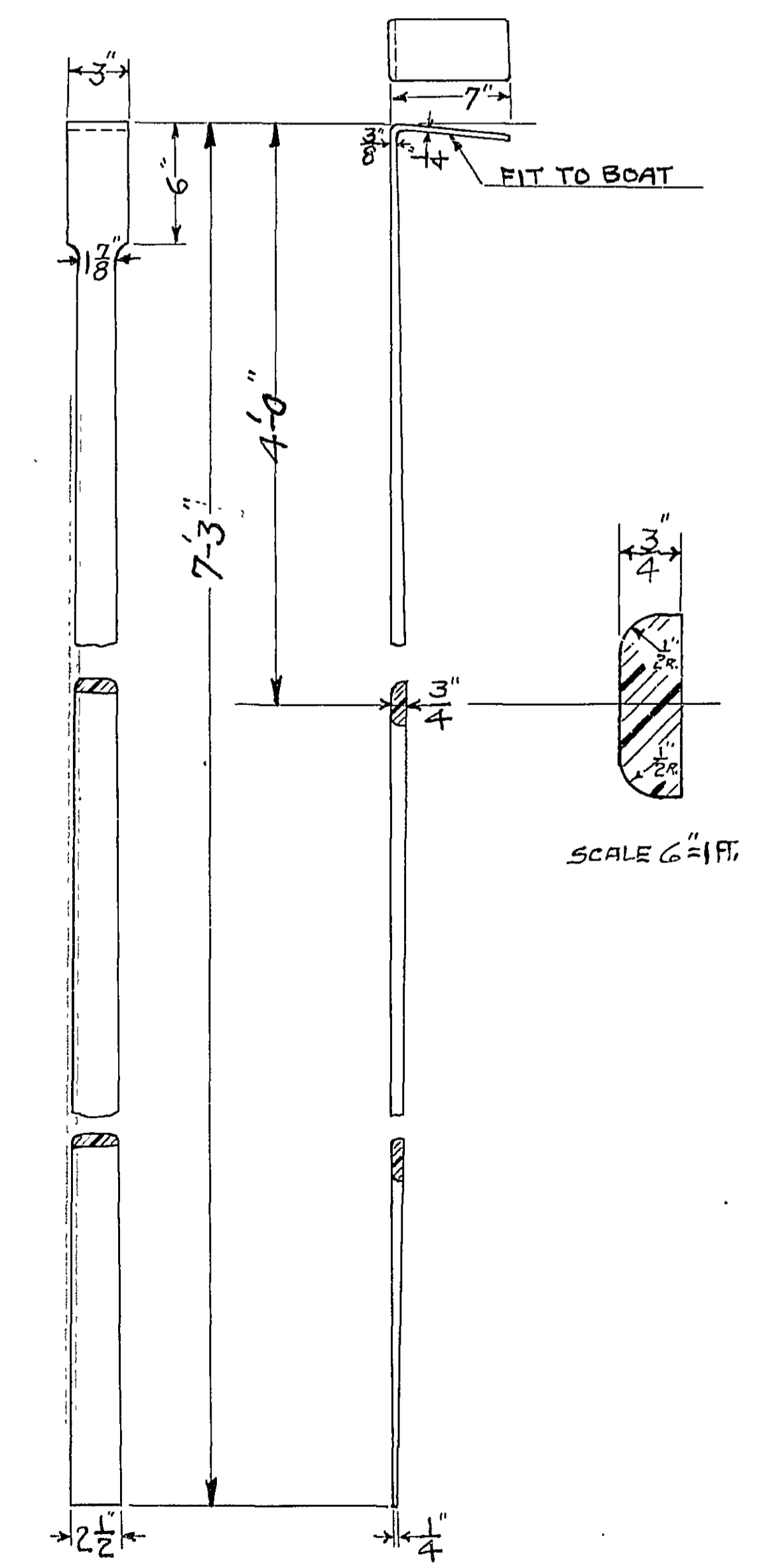
LOWER GUDGEON
MAKE 2 - MAT'L WRT IRON
SCALE 6"=1 FT.

REFERENCE PLANS

	C & R No.	BOSTON No.	R. No.
CLEATS		22350	204
STEERING ROWLOCKS	12332		7
STEERING ROWLOCK SOCKETS	25708	12332	18
HOIST PAD-SLING	26135	12563	105
MAST STEPS	27833	16628	1
SHROUD EYE	27685	15101	29
SIDE GUY PAD EYE	26135	12563	111
YOKE	26211	12722	26
TILLER	26211	12722	7
RING BOLT	26111	12562	2
HOISTING ROD	26111	12562	14
HOISTING PAD	25738	12334	10
PIN (HOISTING ROD)	25738	12334	8
HOISTING SHACKLE	26177	12564	20
PIN (SHACKLE)	25738	12334	2
SPLIT PLATE	25738	12334	3&4
HOISTING ROD	26111	12562	15
SPLIT PIN	25738	12334	9
MAST PLATE	27490	15104	14
GANGBOARD RING	25738	12334	19
GENERAL ARRANGEMENT 28 FOOT WHALEBOAT		23397	



RUDDER
MAKE 2 - WHITE OAK
SCALE 1 1/2"=1 FT.



STEM & STERN BAND
MAKE 4 - MAT'L STEEL
FASTENING TO SUIT
SCALE 1 1/2"=1 FT.

NOTES

1. STEEL FORGINGS TO BE HEATED & DIPPED IN OIL
2. ALL ITEMS ON THIS SHEET ARE FOR 2-28 FT. WHALEBOATS

U. S. FRIGATE CONSTITUTION
NAVY YARD, BOSTON APRIL 3-1931
FITTINGS FOR 28 FT. WHALEBOATS

R. W. Bush
FOR THE MANAGER

53485 U.S. FRIGATE CONSTITUTION - FITTINGS FOR 28 FT. WHALEBOAT 53485