

Scale =  $\frac{1}{2}'' = 1 \text{ Ft.}$

MARK	A					B							C				D								
	LENGTH	THICKNESS	ANGLE A-B	DISTANCE a	DIAM. a	LENGTH	DISTANCE c-b	DISTANCE c-b'	DISTANCE c-b''	DIA. b	DIA. b'	DIA. b''	THICKNESS c	THICKNESS d	WIDTH c	WIDTH d	LENGTH	THICKNESS	ANGLE B-C	WIDTH f	LENGTH	THICKNESS	ANGLE C-D	DISTANCE e-f	DIA. e
M259	8	$\frac{7}{8}$	90°	$5\frac{3}{4}$	$1\frac{1}{8}$	$25\frac{1}{2}$	$6\frac{1}{2}$	$19\frac{1}{2}$	$22\frac{1}{2}$	1	1	1	$\frac{1}{8}$	$\frac{3}{4}$	$3\frac{1}{2}$	$3\frac{1}{4}$	$60\frac{3}{4}$	$\frac{15}{16}$	70°	3	$4\frac{3}{4}$	$\frac{3}{4}$	148°	$2\frac{15}{16}$	$1\frac{1}{8}$
M2P9	$7\frac{3}{4}$	$\frac{7}{8}$	90°	$5\frac{3}{4}$	$1\frac{5}{8}$	$25\frac{1}{2}$	5	$13\frac{1}{2}$	$22\frac{1}{2}$	1	1	1	$\frac{1}{8}$	$\frac{3}{4}$	$3\frac{1}{2}$	$3\frac{1}{4}$	$61\frac{1}{2}$	1	70°	3	5	$\frac{3}{4}$	148°	3	1
FS12	8	$\frac{7}{8}$	93°	6	$1\frac{1}{8}$	$25\frac{1}{2}$	$6\frac{1}{4}$	$14\frac{1}{2}$	$22\frac{1}{2}$	1	1	1	$\frac{1}{8}$	$\frac{3}{4}$	$3\frac{1}{2}$	$3\frac{1}{2}$	65	1	61°	3	$4\frac{1}{2}$	$\frac{7}{8}$	150°	$2\frac{1}{2}$	2
FS1	$8\frac{1}{4}$	$\frac{7}{8}$	90°	$6\frac{1}{2}$	2	$24\frac{1}{2}$	$5\frac{1}{4}$	14	$22\frac{1}{2}$	1	1	1	$\frac{1}{8}$	$\frac{3}{4}$	$3\frac{1}{2}$	$3\frac{1}{2}$	61	$1\frac{1}{8}$	76°	3	$4\frac{3}{4}$	$\frac{7}{8}$	145°	$2\frac{1}{2}$	$2\frac{1}{4}$ WITH 3 SACS STAY SHEAVES
MS13	$7\frac{3}{4}$	1	90°	$5\frac{3}{4}$	2	$24\frac{1}{2}$	5	$13\frac{1}{2}$	$21\frac{3}{4}$	1	1	1	$\frac{1}{8}$	$\frac{3}{4}$	$3\frac{1}{2}$	$3\frac{1}{2}$	$59\frac{1}{2}$	$1\frac{1}{8}$	78°	3	$5\frac{1}{4}$	1	144°	3	2
FP12	8	$\frac{7}{8}$	92°	6	2	$24\frac{1}{2}$	$5\frac{1}{2}$	$13\frac{1}{2}$	22	1	1	1	$\frac{1}{8}$	$\frac{3}{4}$	$3\frac{1}{2}$	$3\frac{1}{2}$	$60\frac{1}{2}$	$1\frac{1}{8}$	61°	3	5	1	145°	$2\frac{3}{4}$	2
MP13	$8\frac{1}{4}$	1	90°	6	2	$24\frac{1}{2}$	$5\frac{1}{2}$	$13\frac{3}{4}$	22	1	1	1	$\frac{1}{8}$	$\frac{3}{4}$	$3\frac{1}{2}$	$3\frac{1}{2}$	59	$1\frac{1}{8}$	75°	3	5	$\frac{7}{8}$	144°	$2\frac{1}{2}$	2
MS1	$8\frac{1}{4}$	$\frac{7}{8}$	90°	$5\frac{3}{4}$	2	$24\frac{1}{2}$	$4\frac{3}{4}$	13	$21\frac{3}{4}$	1	1	1	$\frac{1}{8}$	$\frac{3}{4}$	$3\frac{1}{2}$	$3\frac{1}{2}$	$60\frac{3}{4}$	$1\frac{1}{8}$	71°	3	5	$\frac{7}{8}$	148°	3	2 WITH 3 SHEAVES
MP1	$8\frac{1}{2}$	$\frac{7}{8}$	90°	$6\frac{1}{4}$	2	$24\frac{1}{2}$	5	$13\frac{1}{2}$	$21\frac{3}{4}$	1	1	1	$\frac{1}{8}$	$\frac{3}{4}$	$3\frac{1}{2}$	$3\frac{1}{4}$	$60\frac{3}{4}$	$1\frac{1}{8}$	70°	3	5	$\frac{7}{8}$	147°	$2\frac{3}{4}$	2 do
FP1	$8\frac{1}{4}$	$\frac{7}{8}$	90°	$6\frac{1}{2}$	2	$24\frac{1}{2}$	$5\frac{1}{4}$	$13\frac{1}{2}$	$21\frac{3}{4}$	1	1	1	$\frac{1}{8}$	$\frac{3}{4}$	$3\frac{1}{2}$	$3\frac{1}{2}$	$61\frac{1}{2}$	1	76°	3	5	$\frac{7}{8}$	145°	$2\frac{3}{4}$	2 do

# CHANNEL BRACKETS

Checked By *M. Cunha*  
(Bldg #22) Feb. 5-1929  
FOR

U. S. FRIGATE CONSTITUTION

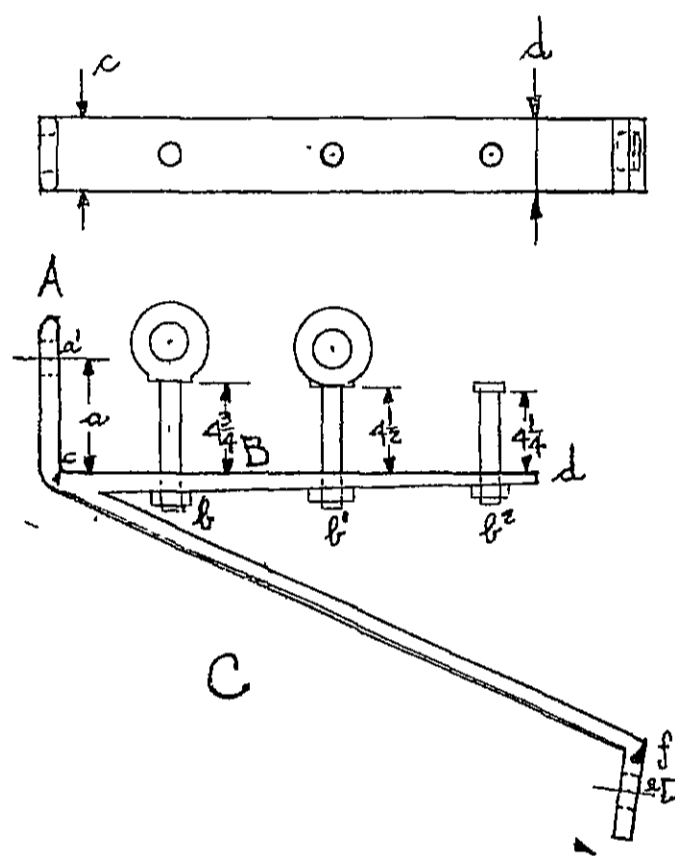
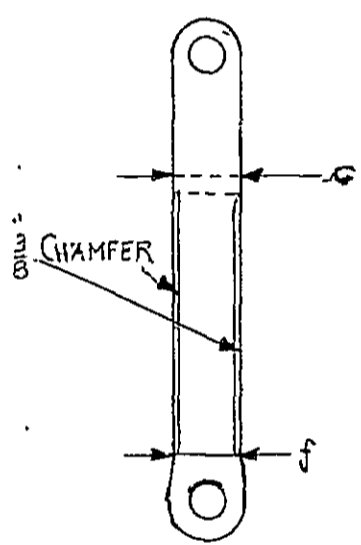
SHEET No. 1  
(2 SHEETS)

BRACKETS FOR RIGGING CHANNELS

PRIOR TO RESTORATION

11 X 21 25351

SCALE AS NOTED SHEET 1 OF 2



Scale:  $1\frac{1}{2}'' = 1'.$

MARK	A					B							C			D									
	LENGTH	THICKNESS	ANGLE A-B	DISTANCE a	DIA. d	LENGTH	DISTANCE c-b	DISTANCE c-b'	DISTANCE c-b''	DIA. b	DIA. b'	DIA. b''	THICKNESS c	THICKNESS d	WIDTH e	WIDTH f	LENGTH	THICKNESS	ANGLE B-C	WIDTH g	LENGTH	THICKNESS	ANGLE C-D	DISTANCE e-f	DIA. e
M2S1	8	$\frac{7}{8}$	$98^\circ$	$6\frac{1}{4}$	$1\frac{3}{4}$	25	$5\frac{3}{4}$	14	$22\frac{1}{2}$	1	1	1	$\frac{1}{8}$	$\frac{1}{2}$	$3\frac{1}{2}$	$3\frac{1}{2}$	33	1	$24^\circ$	3	5	$\frac{7}{8}$	$107^\circ$	3	2
M2PI	7	$\frac{7}{8}$	$93^\circ$	5	$1\frac{3}{4}$	$24\frac{5}{8}$	$5\frac{3}{4}$	14	$22\frac{1}{4}$	1	1	1	$\frac{1}{8}$	$\frac{1}{2}$	$3\frac{1}{2}$	$3\frac{1}{2}$	34	1	$23^\circ$	3	$5\frac{1}{2}$	$\frac{7}{8}$	$107^\circ$	$3\frac{1}{2}$	2

(BOTH WITH SHEAVES)

## CHANNEL BRACKETS

Checked By McCurhan  
 (Bldg #22) Feb 12, 1929  
 FOR  
U. S. FRIGATE CONSTITUTION

SHEET No. 2

(2 SHEETS)

BRACKETS FOR RIGGING CHANNELS  
 PRIOR TO RESTORATION

IX21 25351

SH-2 OF 2

IX21 25351