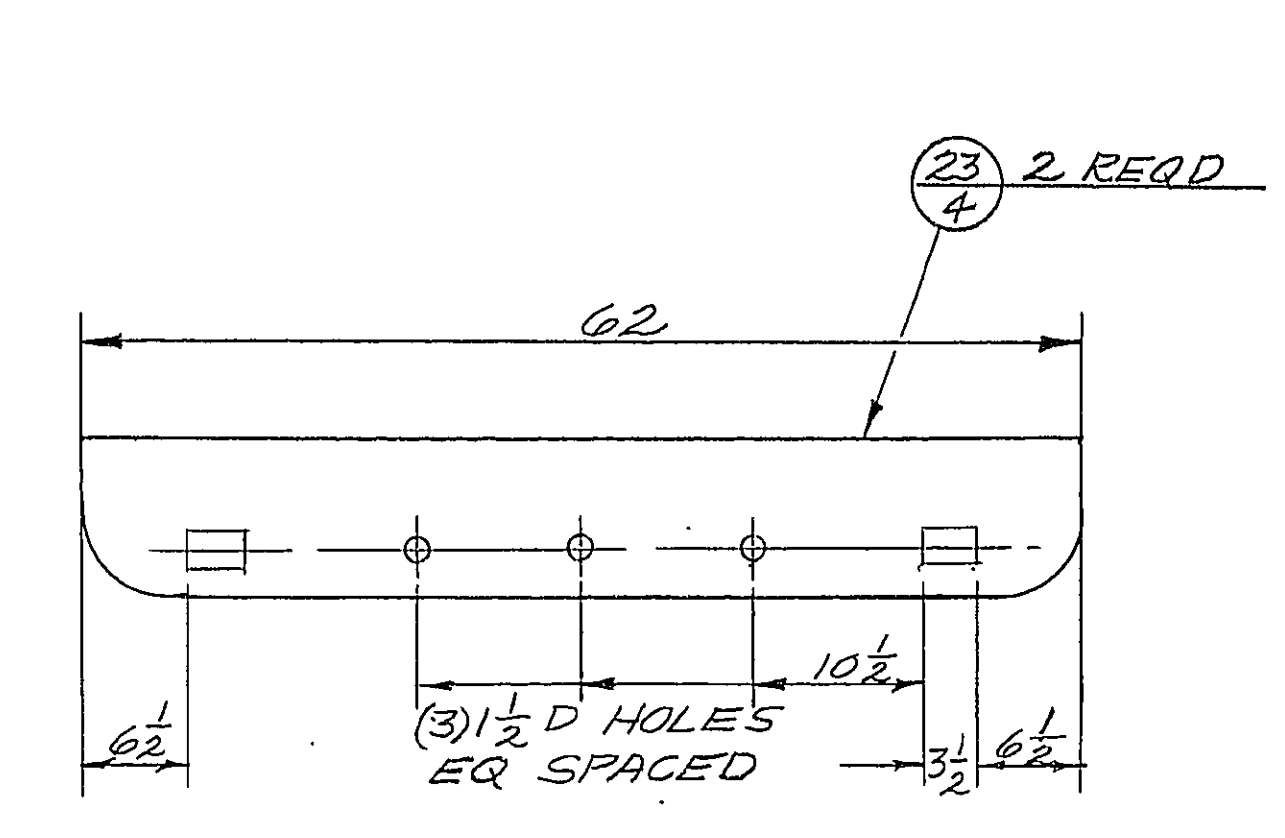
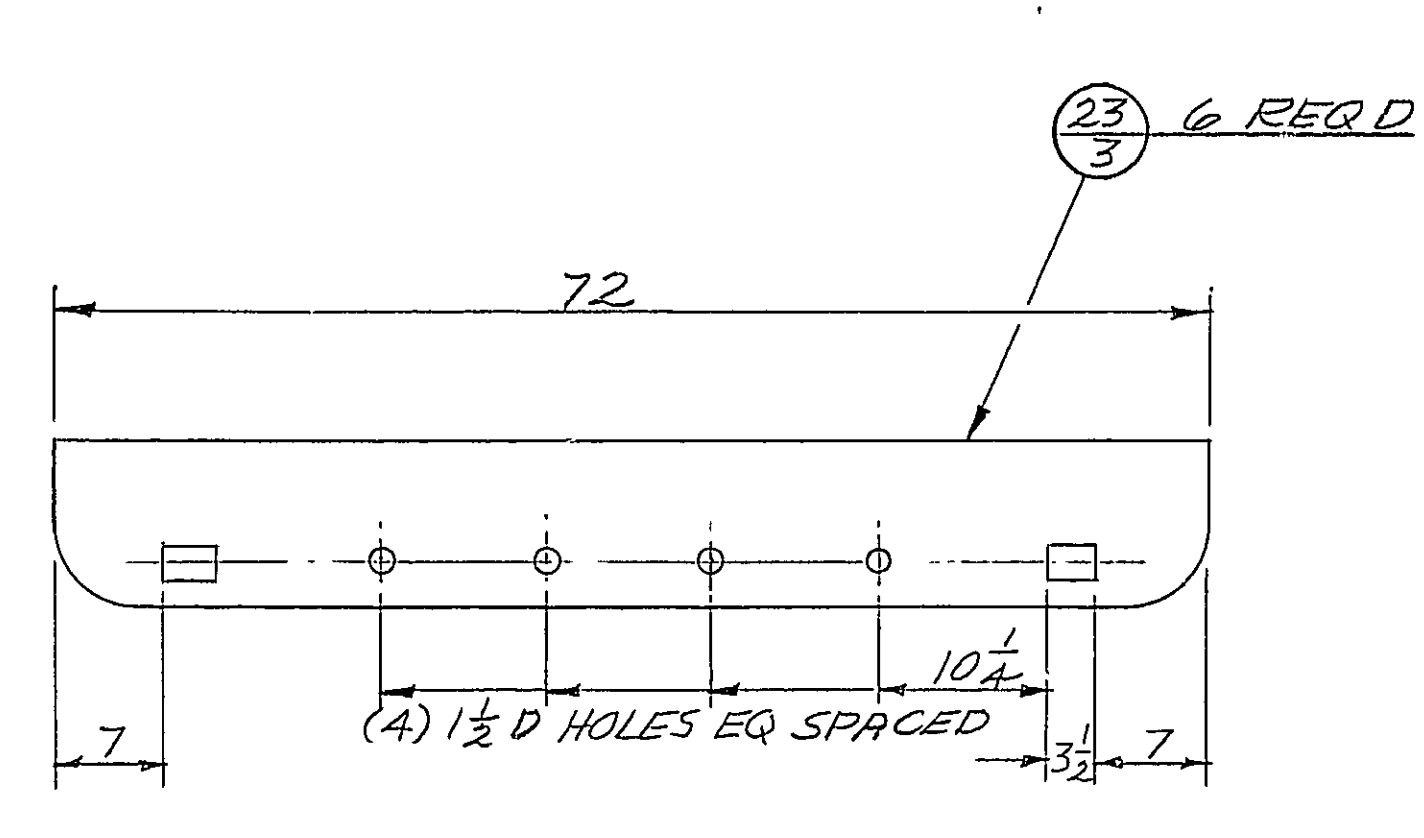


DET 16-D
RAMROD RAIL
SCALE: 3=1-0

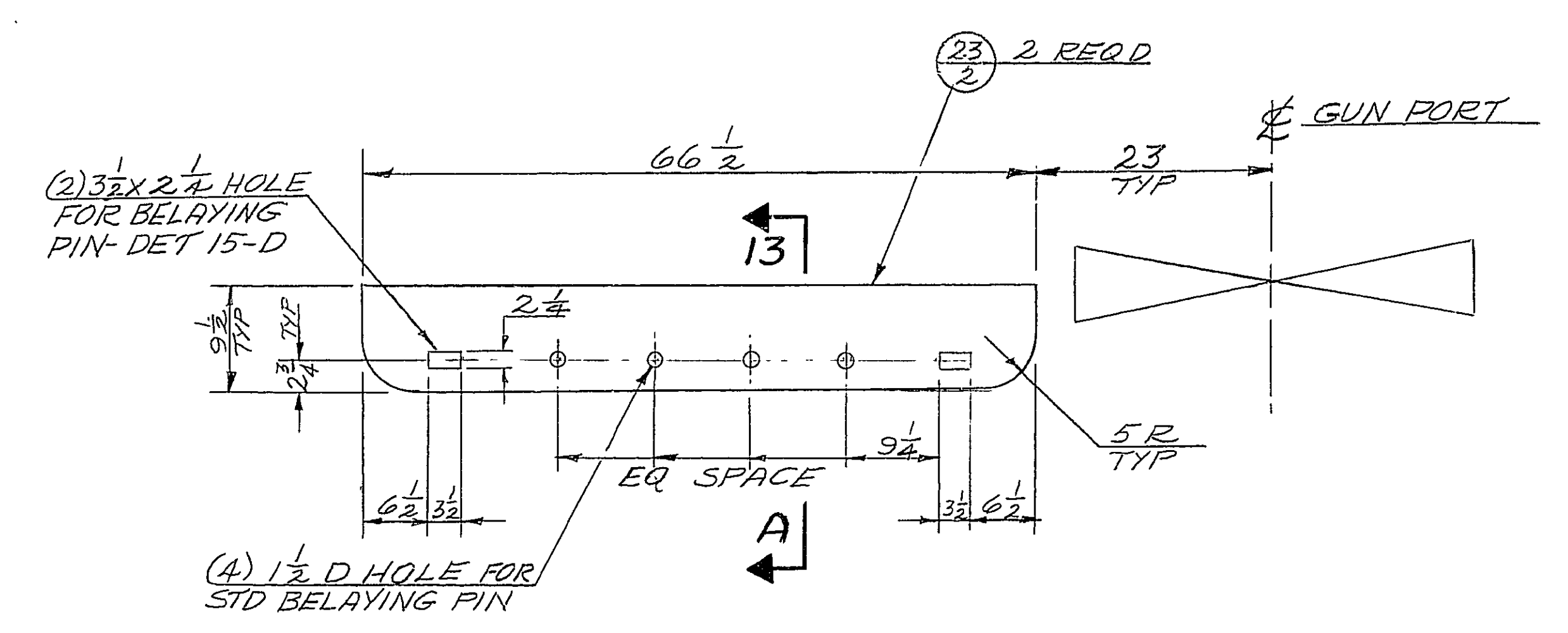


DET 15-B
SCALE: 1=1-0

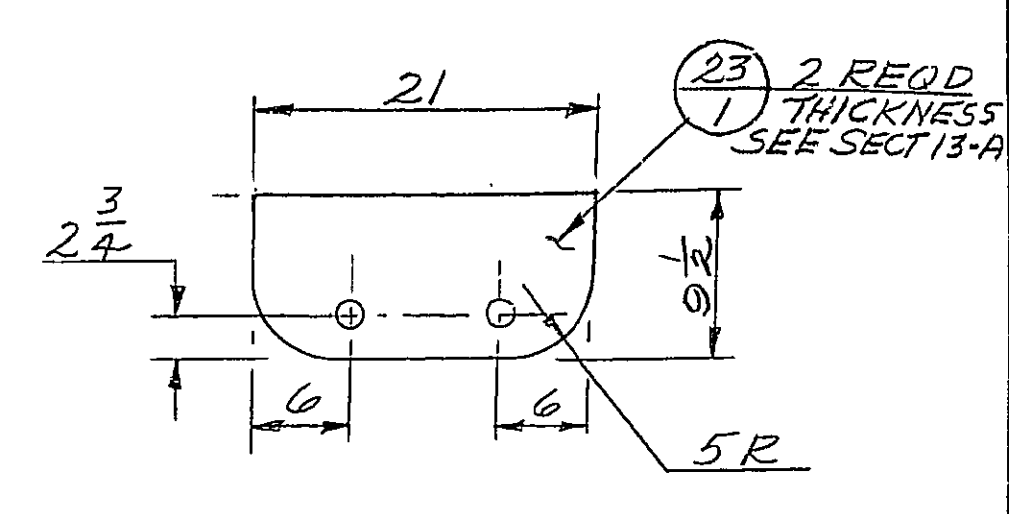


DET 15-A
SCALE: 1=1-0

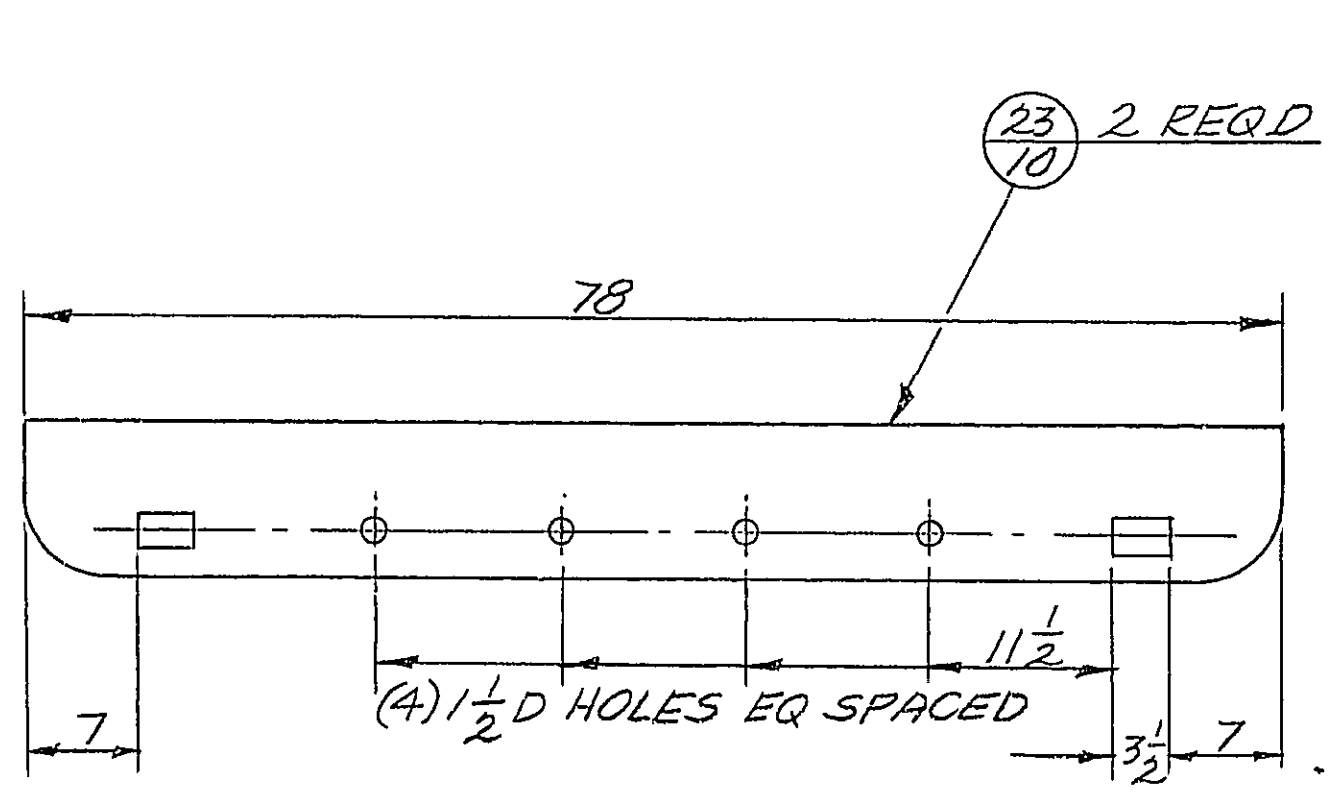
NOTE: FOR DIMS NOT SHOWN
SEE DET 14-B



TYPICAL DET 14-B
SCALE: 1=1-0

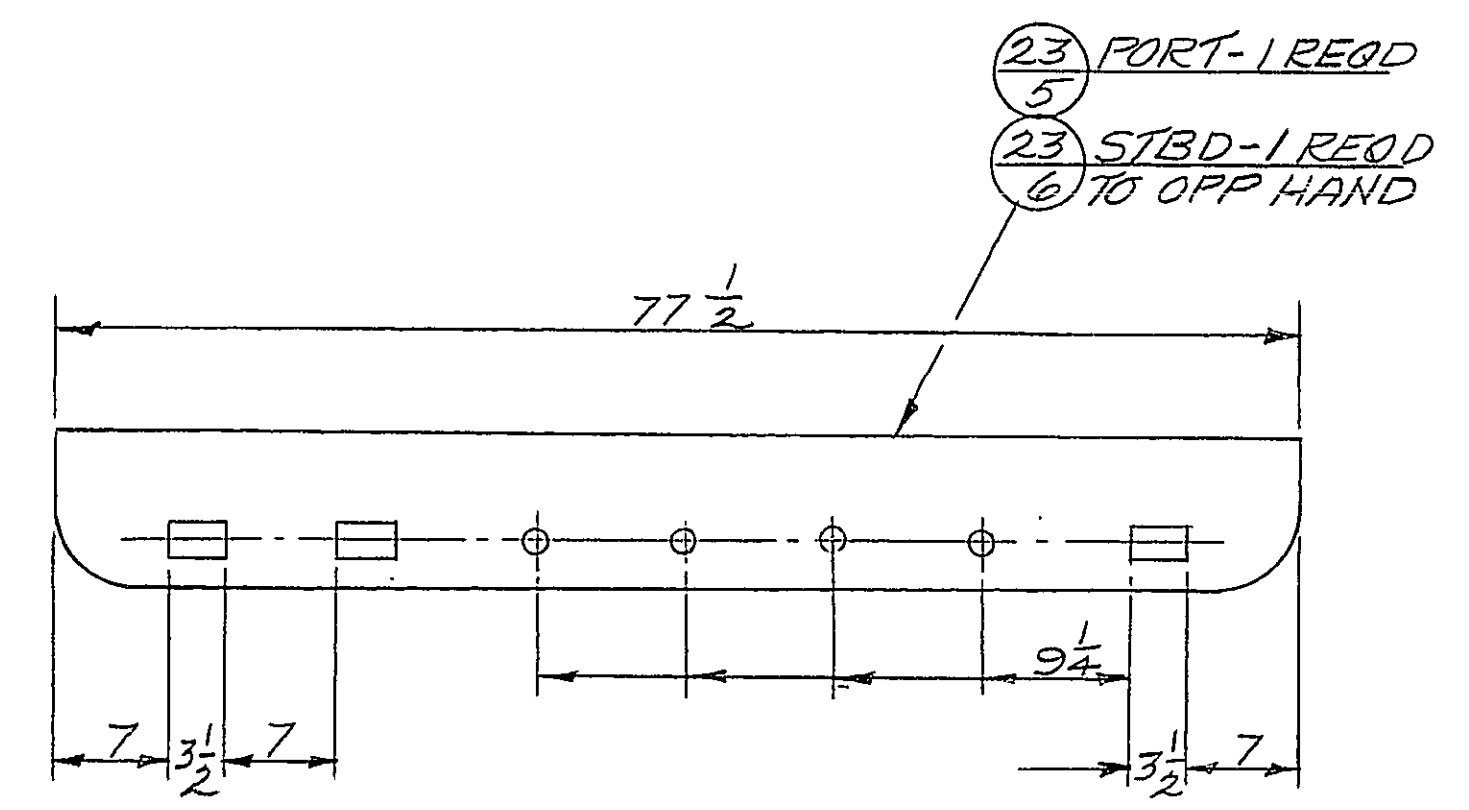


DET 13-B
SCALE: 1=1-0

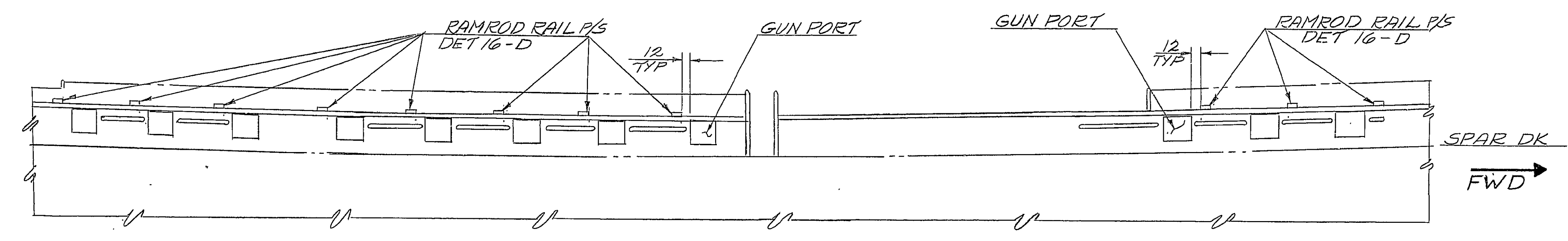


DET 16-C
SCALE: 1=1-0

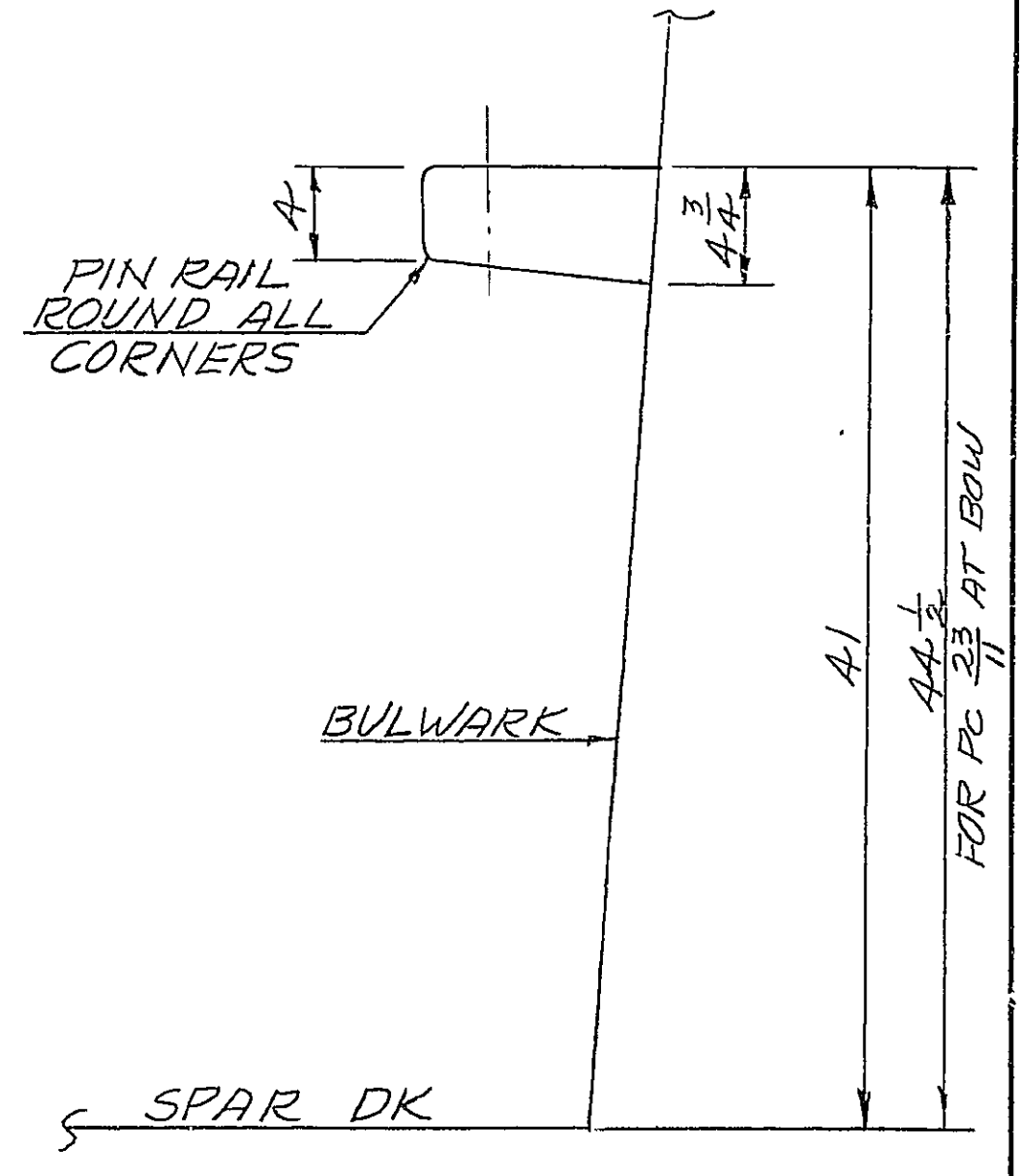
NOTE: FOR DIMS NOT SHOWN
SEE DET 14-B



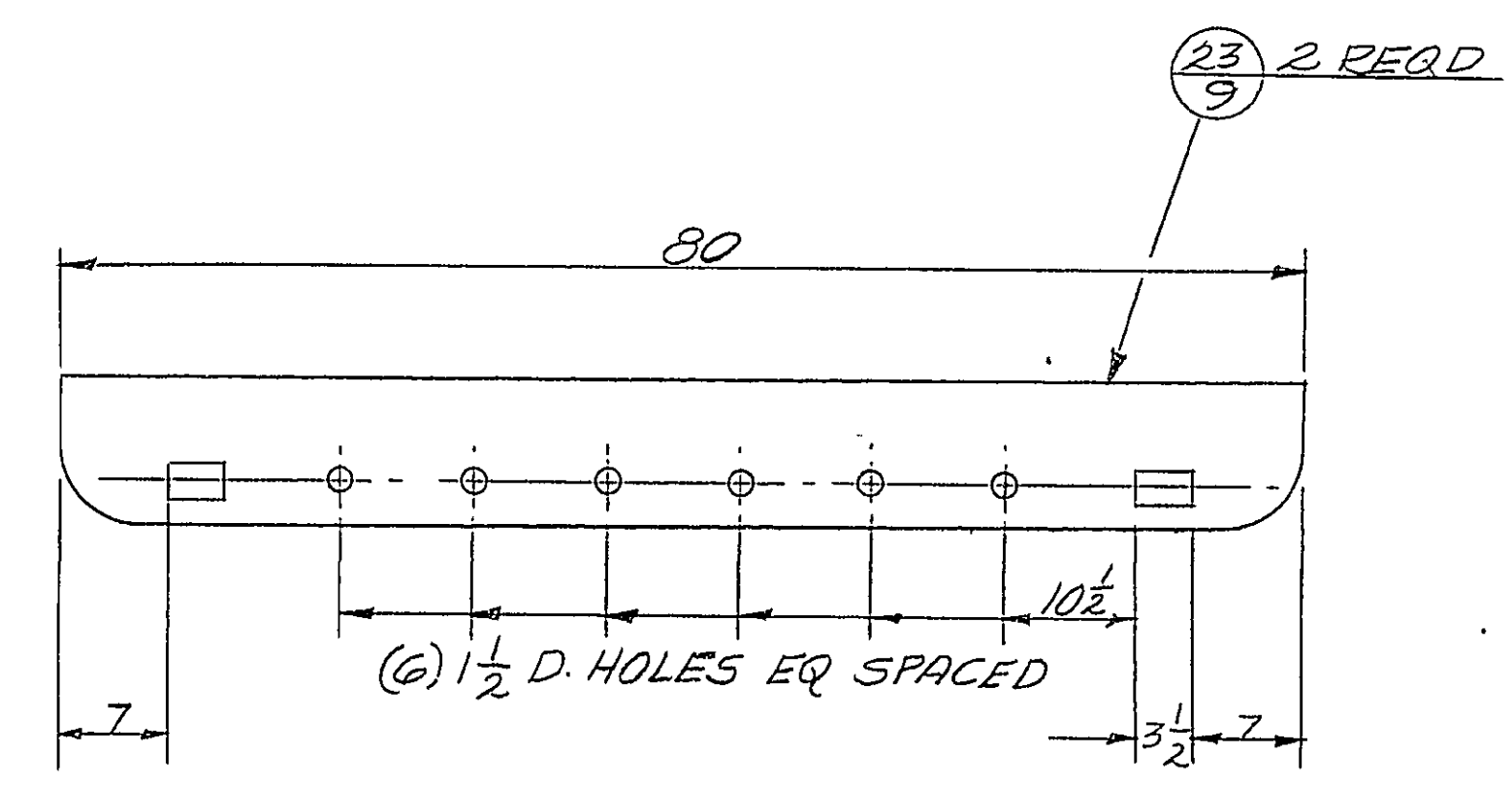
DET 15-C
SCALE: 1=1-0



EL 14-B
SHOWING LOC OF RAMROD RAILS
PORT SHOWN-STBD SIM TO OPP HAND
SCALE: 1/2=1-0

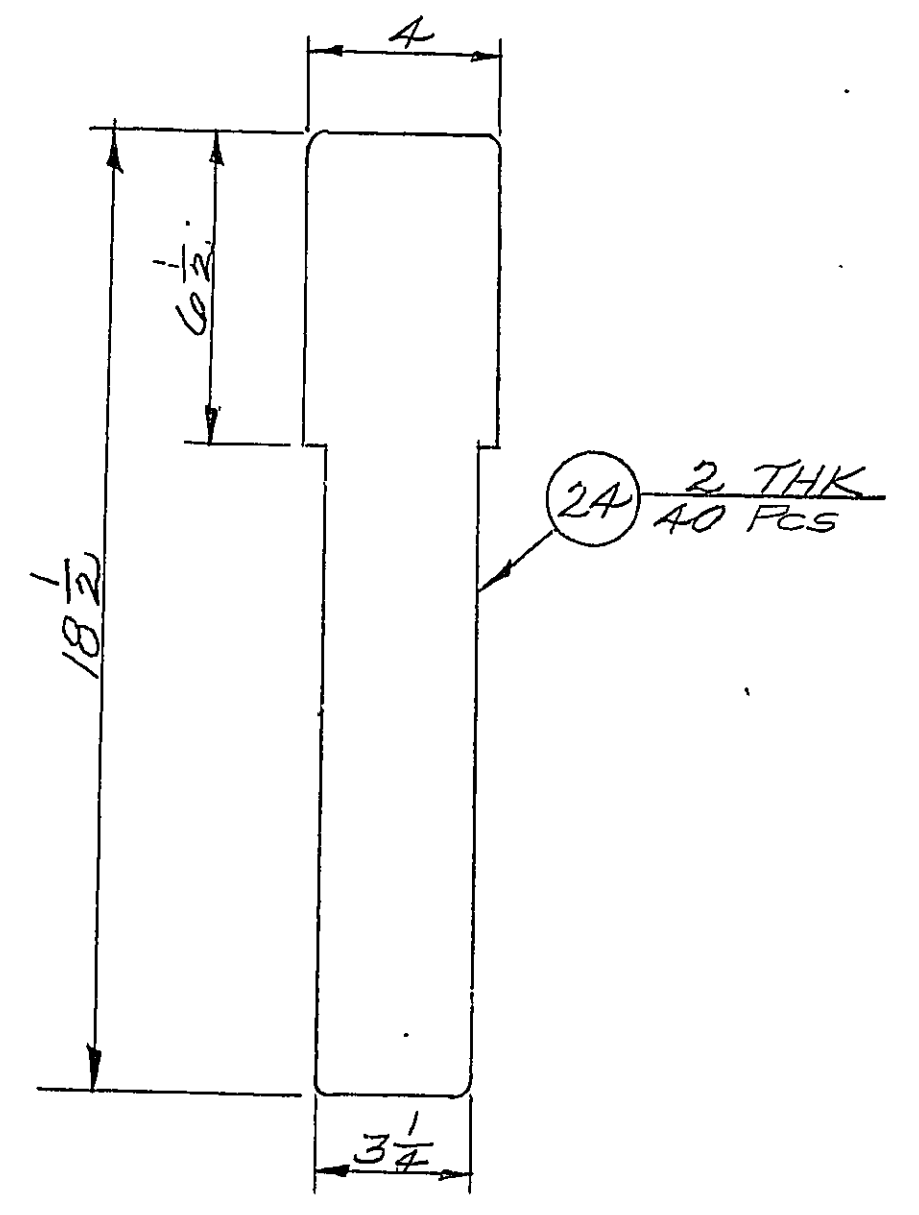


TYPICAL SECT 13-A
SCALE: 1/2=1-0

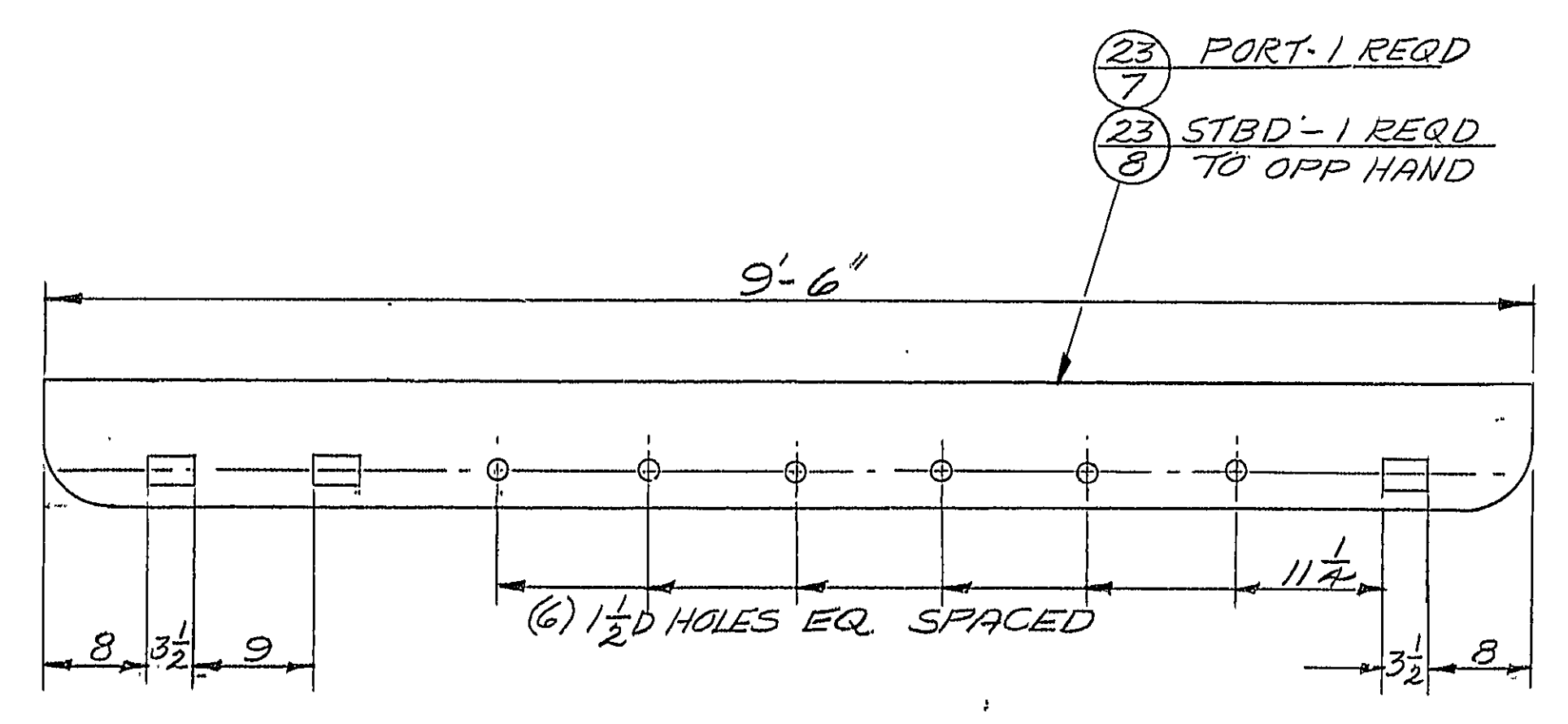


DET 16-B
SCALE: 1=1-0

NOTE: FOR DIMS NOT SHOWN
SEE DET 14-B

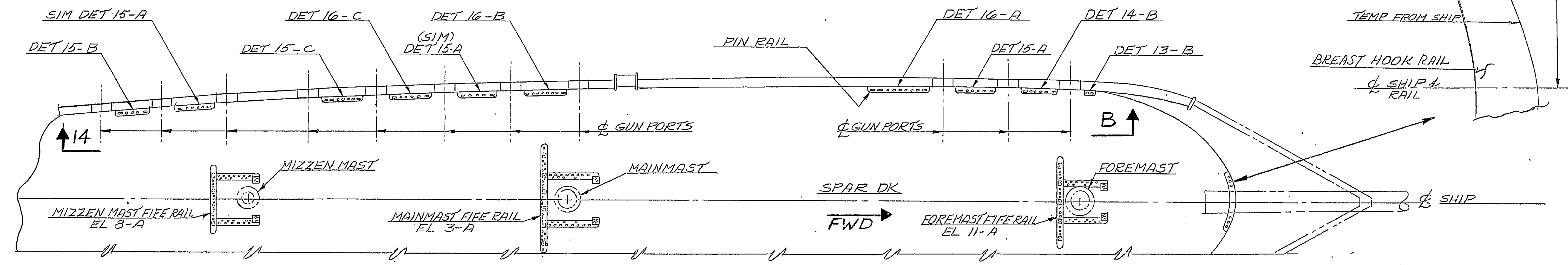


DET 15-D
BELAYING PIN
SCALE: 3=1-0

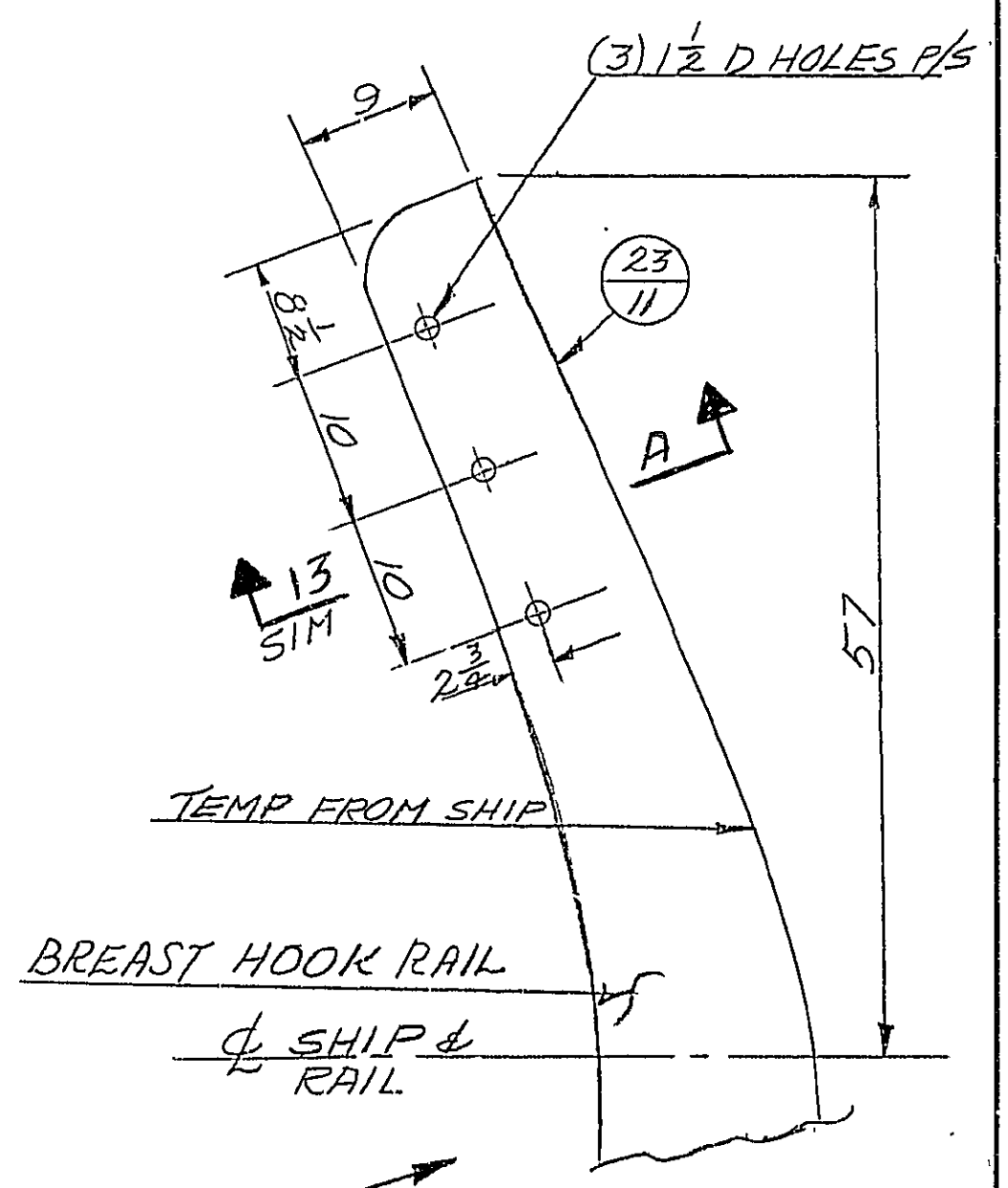


DET 16-A
SCALE: 1=1-0

NOTE: FOR DIMS NOT SHOWN
SEE DET 14-B



PLAN 14-A
ARR. OF EIFE RAILS & PIN RAILS.
PORT SHOWN-STBD SIM OPP HAND
SCALE: 1/2=1-0



EIFE RAILS & BITTS ARR. & DETS MIZZEN-MAIN & FOREMAST			
SIZE	CODE IDENT. NO.	NAVSHIPS DWG. NO.	REV
H	1X 21	BSN 27076	B
SCALE: AS NOTED			SHEET 4 OF 5

PC NO	DESCRIPTION	QTY	MAT'L	SPEC	REMARKS	DET	LAST USED	REMARKS
1	MN MAST BITT	2	1" LAMINATED WHITE OAK			5-A	2	MATL SUBSTITUTED FOR LIVE OAK
2	ATH RAIL	1				3-B	~	
3	FIFE RAIL	2					2	
4	SHEAVE POST	15				6A/7-A 8-A/11-A	2	
5	MN MAST BITT KNEE	2				2-A/4-B	~	
6	UPPER PIN	4			2 PCS ON MN 2 " " MIZZEN	5-A	~	
7	LOWER PIN	2			MN MAST	5-A	~	
8	SHEAVE CASING	6				5-A	~	
9	BALUSTER SHEAVE	15			FOR Pz A	6-B	~	MATL SUBSTITUTED FOR LIGNUMVITAE
10	BITT SHEAVE	6	PLASTIC		PHENOLIC RESIN LAMINATED PLASTIC	8-C	~	
11	7"OD SHEAVE	6			7"OD X 6 ID X 1 3/8 THK WITH 1" D PIN	5-A	~	
12	MIZZ MAST BITT	2	1" LAMINATED WHITE OAK			7-B	2	MATL SUBSTITUTED FOR LIVE OAK
13	FIFE RAIL	2				8-B	2	
14	ATH RAIL	1					~	
15	FOREMAST BITT	2				9-A	2	
16	FIFE RAIL	2				11-B	2	
17	ATH RAIL	1					~	
18	UPPER PIN	2				9-A	~	
19	LOWER PIN	2					~	
20	BITT SHEAVE	2	PLASTIC		PHENOLIC RESIN LAMINATED PLASTIC	9-A/7-C	~	MATL SUBSTITUTED FOR LIGNUMVITAE
21	BITT KNEE	2	1" LAMINATED WHITE OAK			9-A/12-A	~	MATL SUBSTITUTED FOR LIVE OAK
22	DK KNEE	2				10-A	~	
23	PIN RAIL	21				SHT A	11	
24	BELAYING PIN	40	WHITE OAK			15-D	~	
25	RAMROD RAIL	22				16-D	~	

B

B