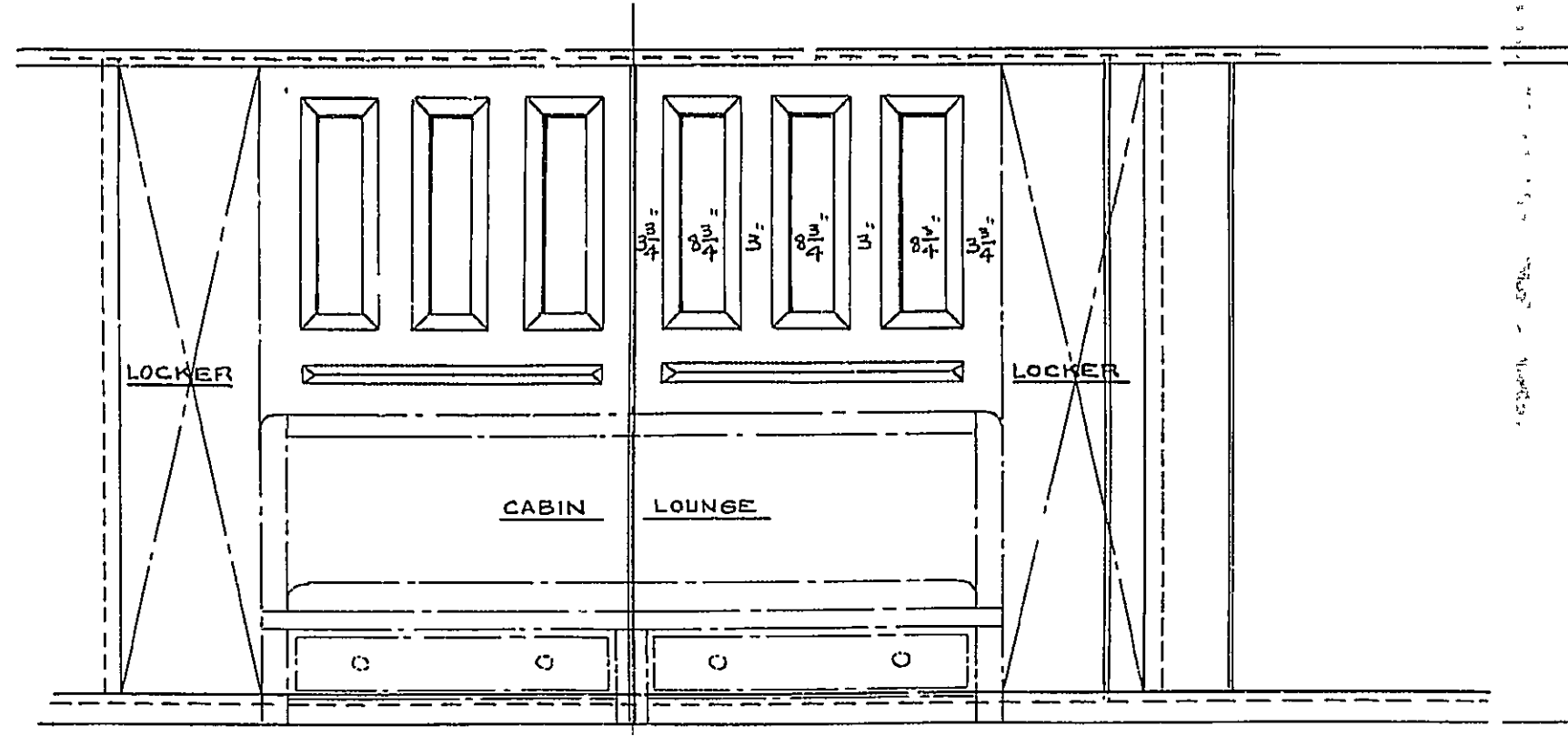
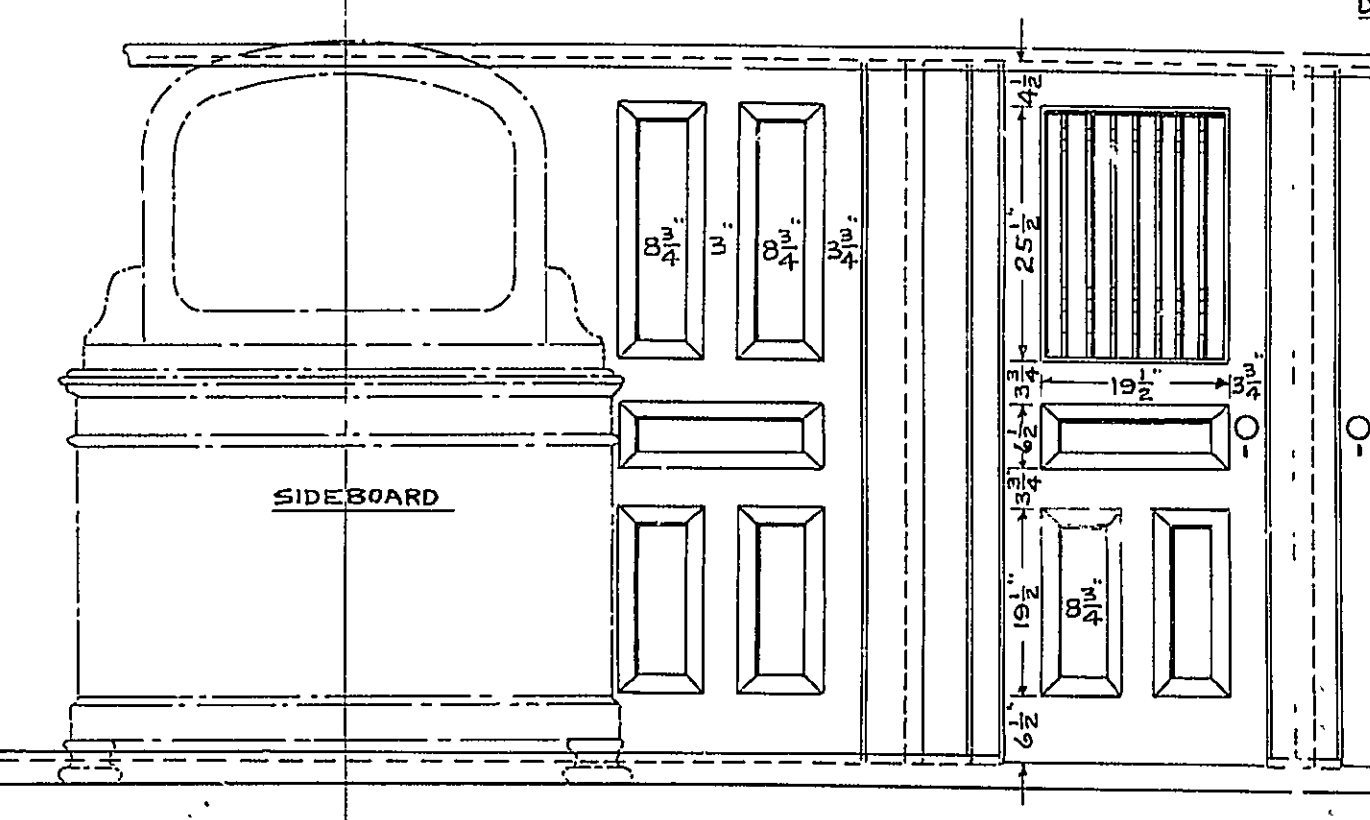
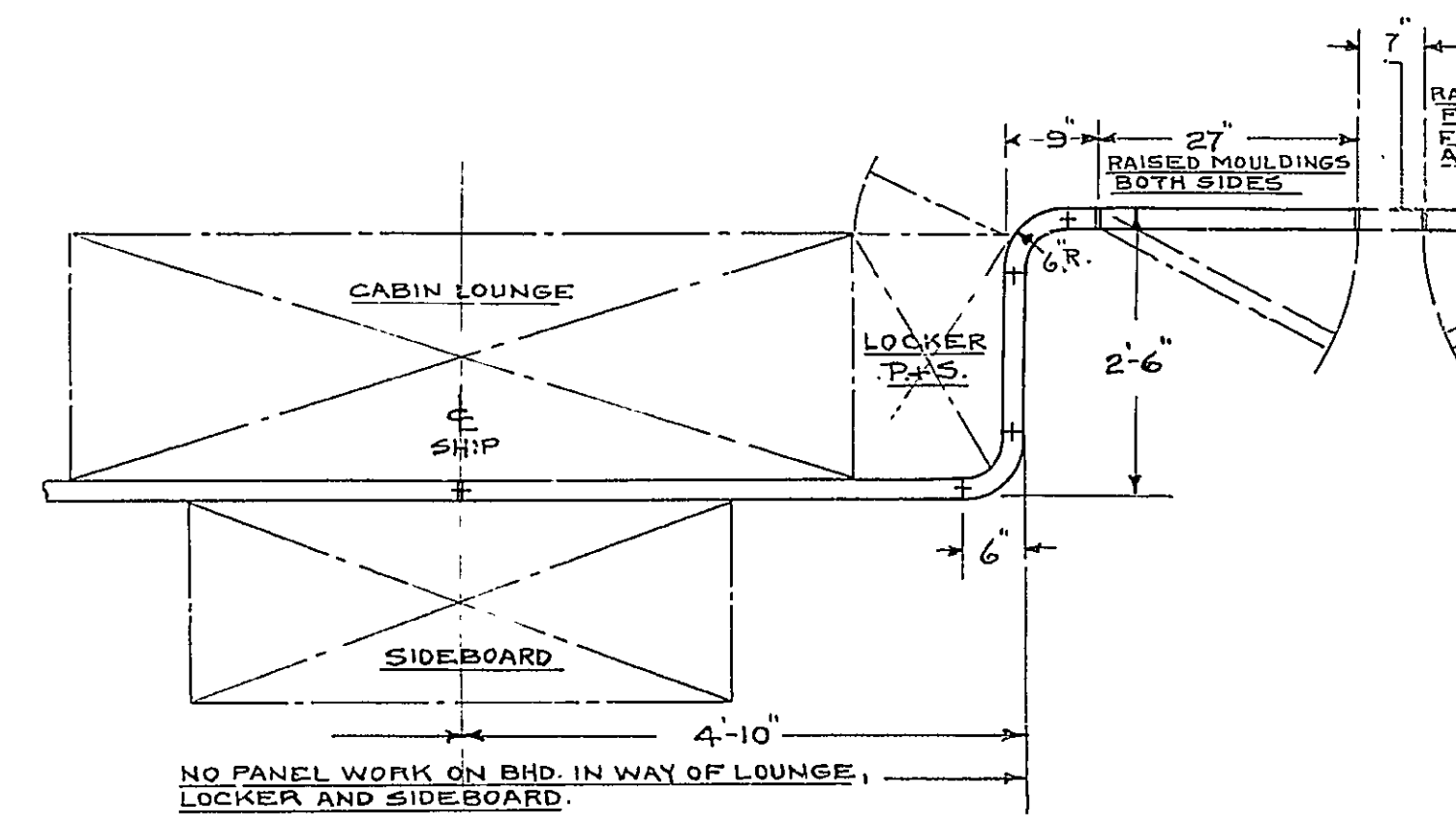


LONGITUDINAL BULKHEAD
LOOKING OUTBOARD
PORT SIDE SHOWN - STBD. SIDE SIMILAR
SCALE 1/2" = 1 FT.

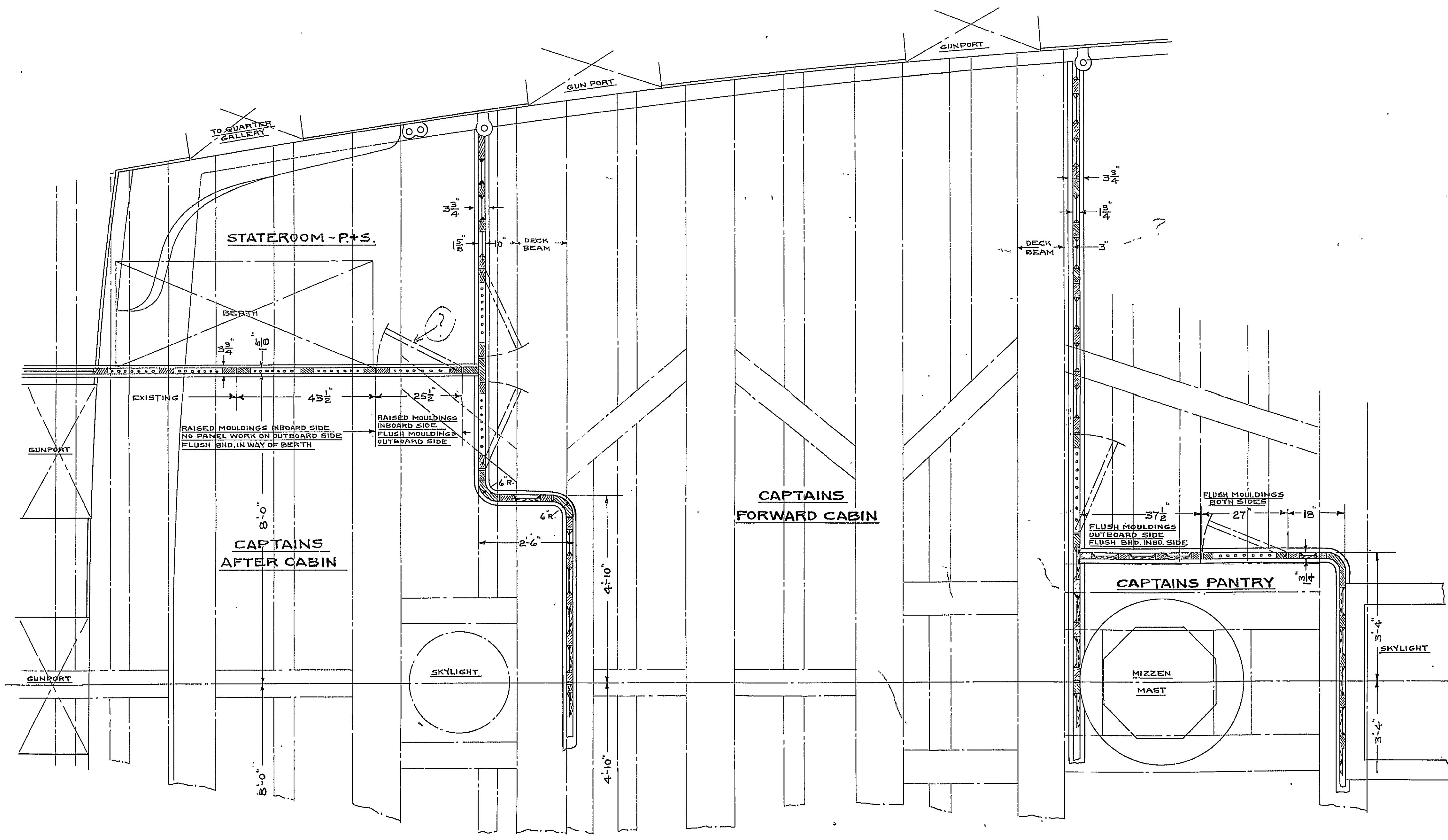
LONGITUDINAL BULKHEAD
LOOKING OUTBOARD
PORT SIDE SHOWN - STBD. SIDE SIMILAR
SCALE 1/2" = 1 FT.



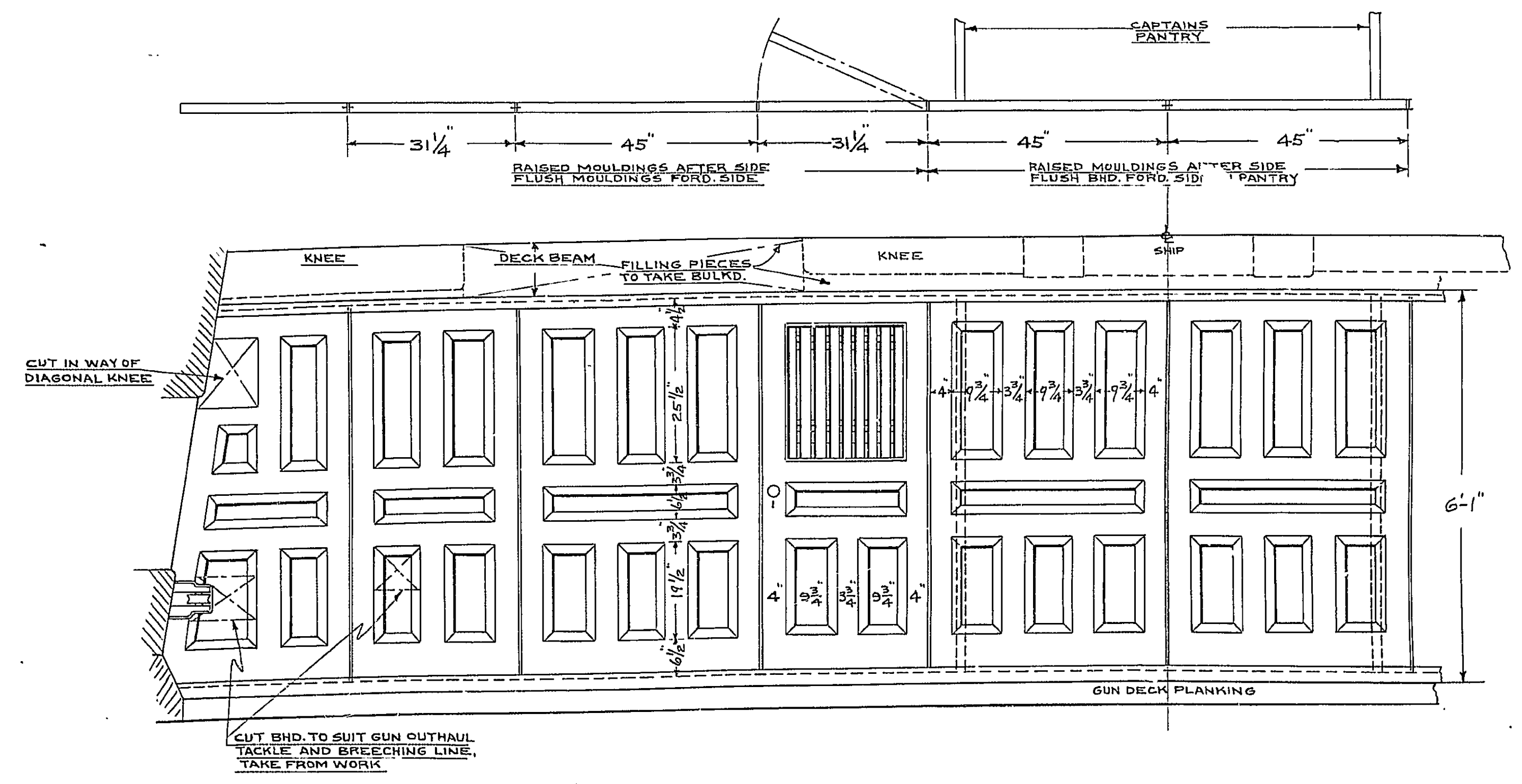
AFTER BULKHEAD - LOOKING FORWARD



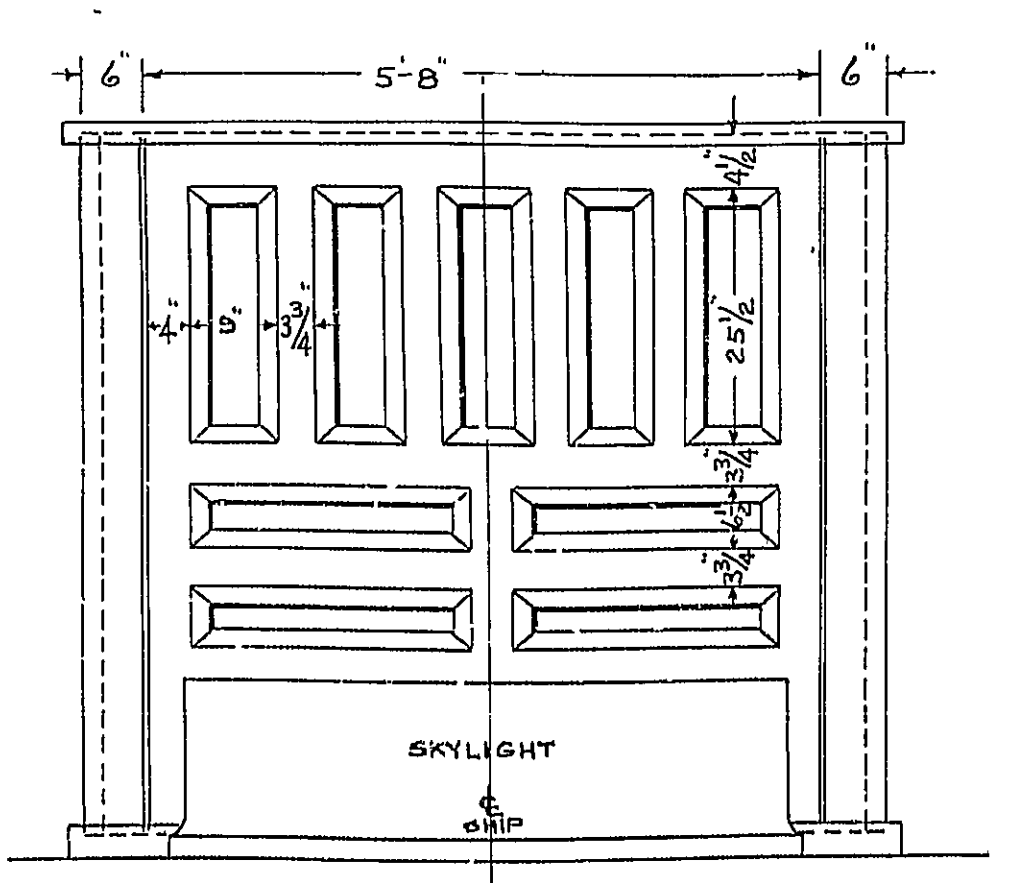
AFTER BULKHEAD LOOKING AFT
PORT SIDE SHOWN - STBD. SIDE SIMILAR



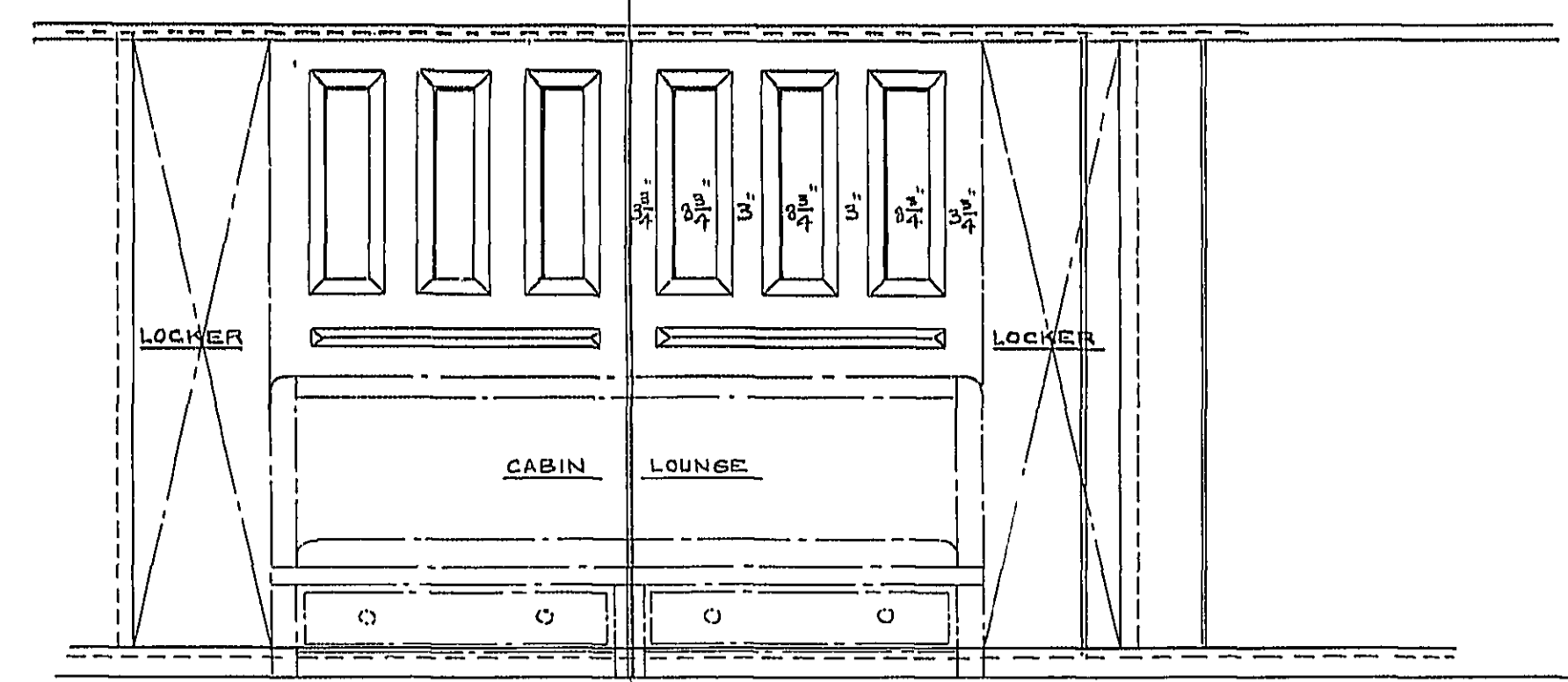
GUN DECK
PORT SIDE SHOWN - STBD. SIDE SIMILAR
SCALE 1/2" = 1 FT.



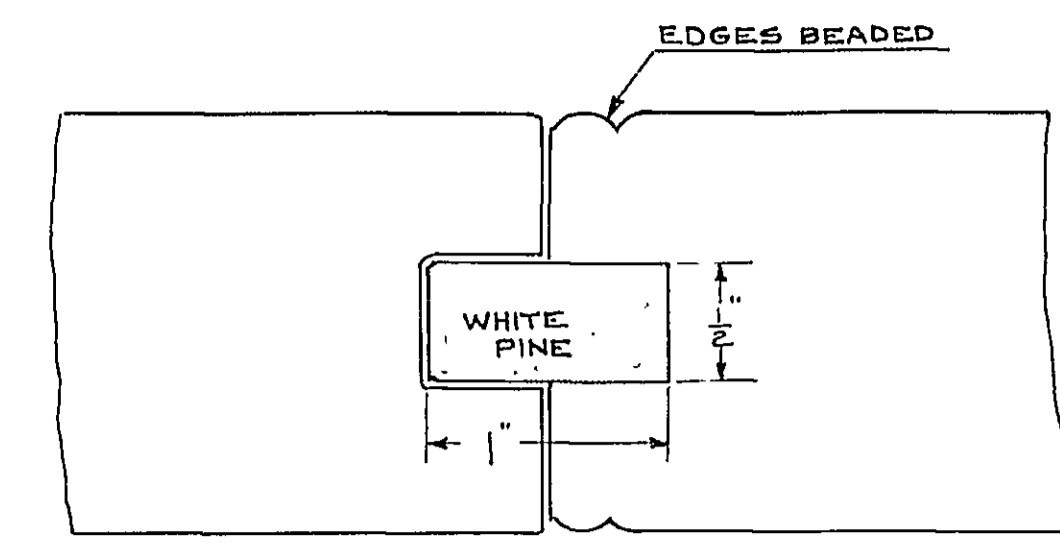
FORWARD BULKHEAD OF FORWARD CABIN
LOOKING FORWARD
SCALE 1/2" = 1 FT.
PORT SIDE SHOWN - STBD. SIDE SIMILAR



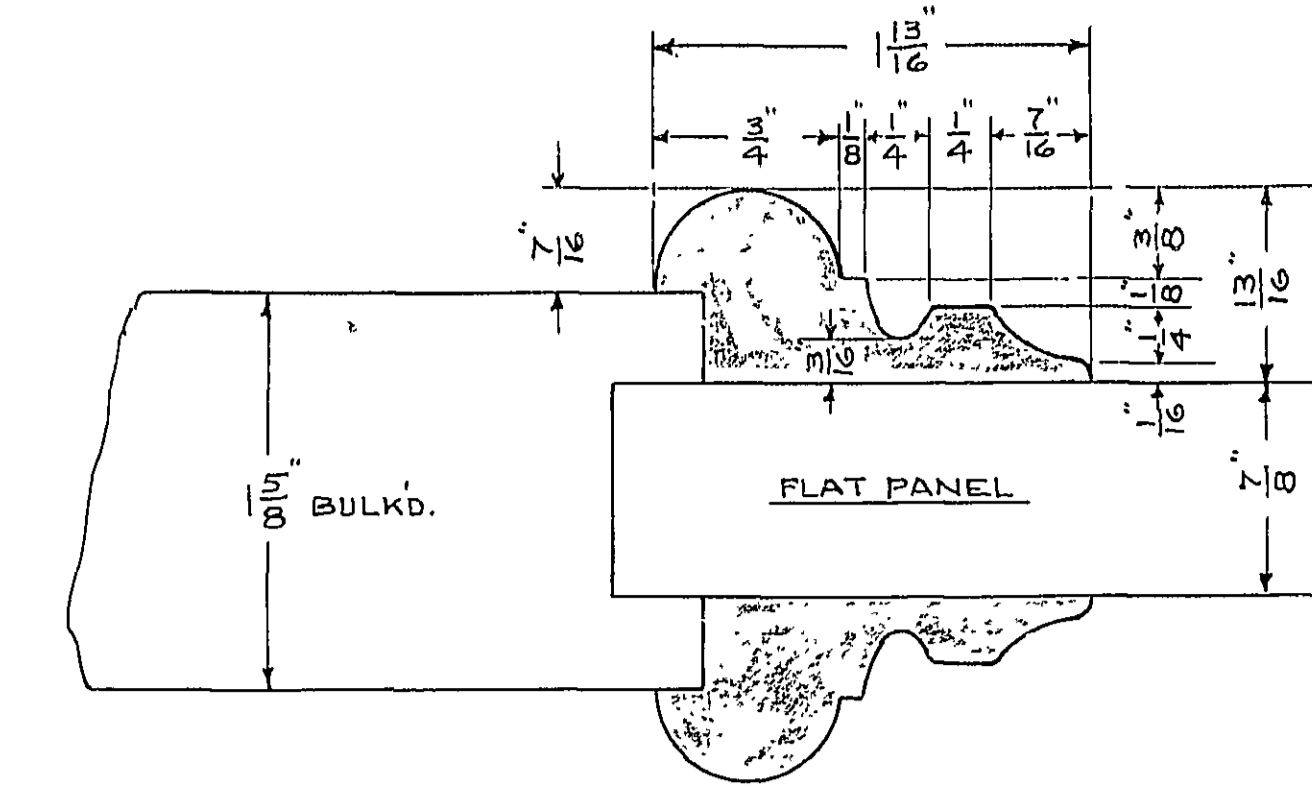
FORWARD PANTRY BULKHEAD
LOOKING AFT
FLUSH MOULDINGS ON FORWARD SIDE
FLUSH BULK. ON AFTER SIDE



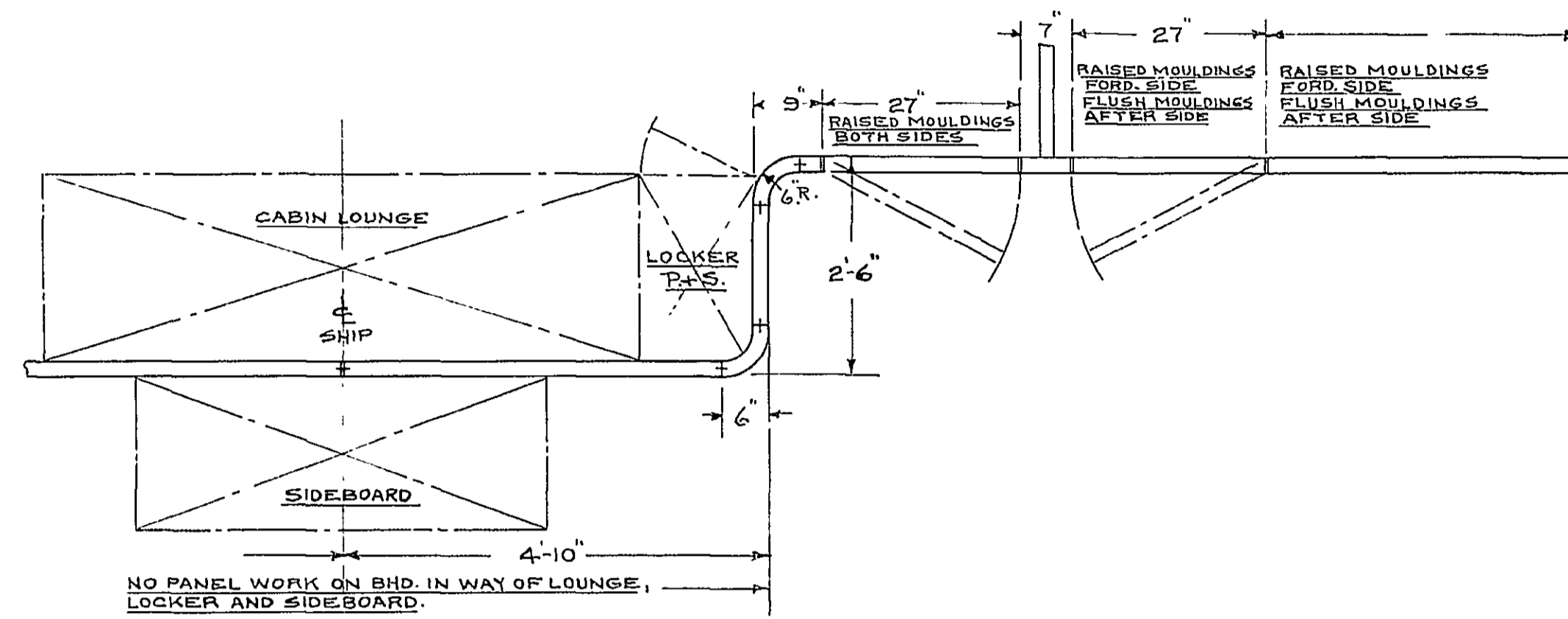
AFTER BULKHEAD - LOOKING FORWARD



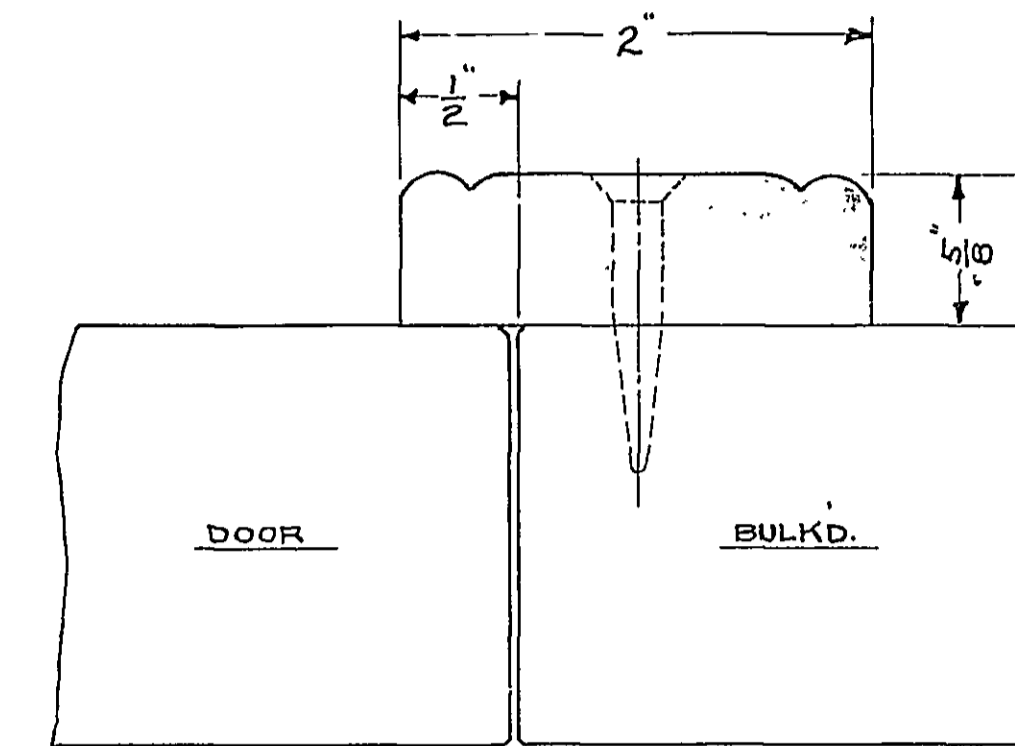
CONNECTION OF BULKHEAD SECTIONS



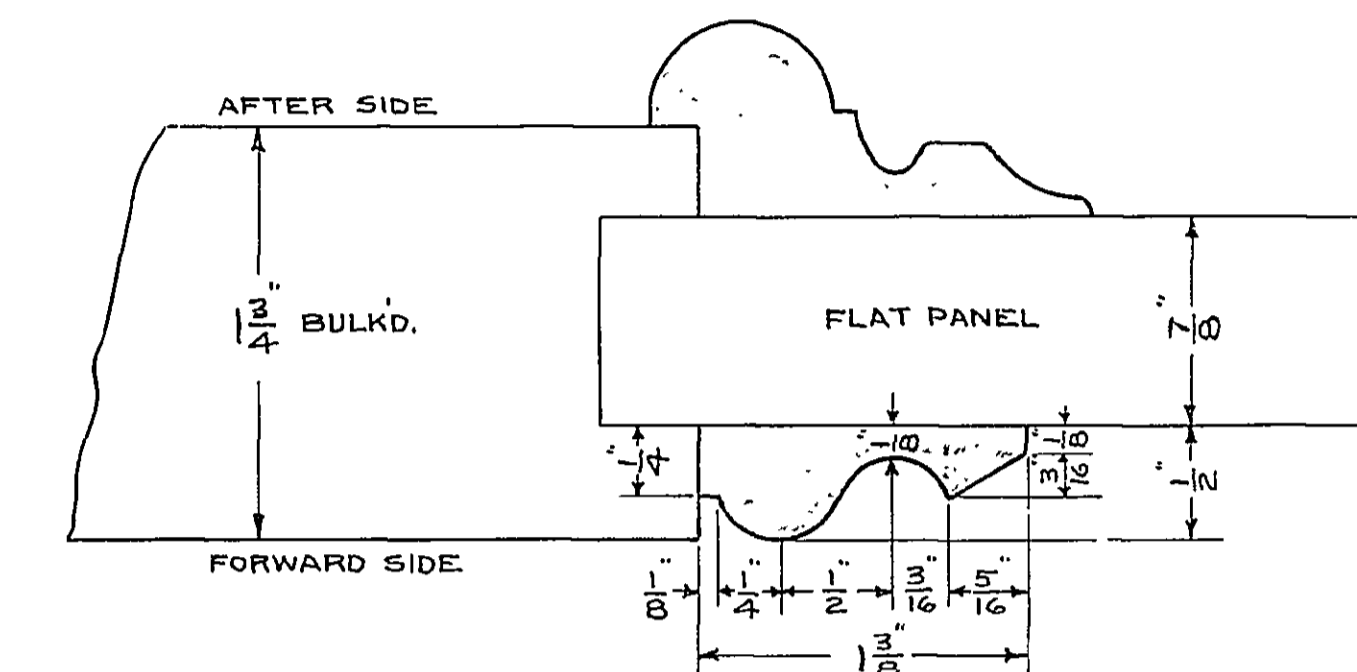
TYPE MOULDINGS ON AFTER TRANSVERSE AND LONGL. BULKHEADS



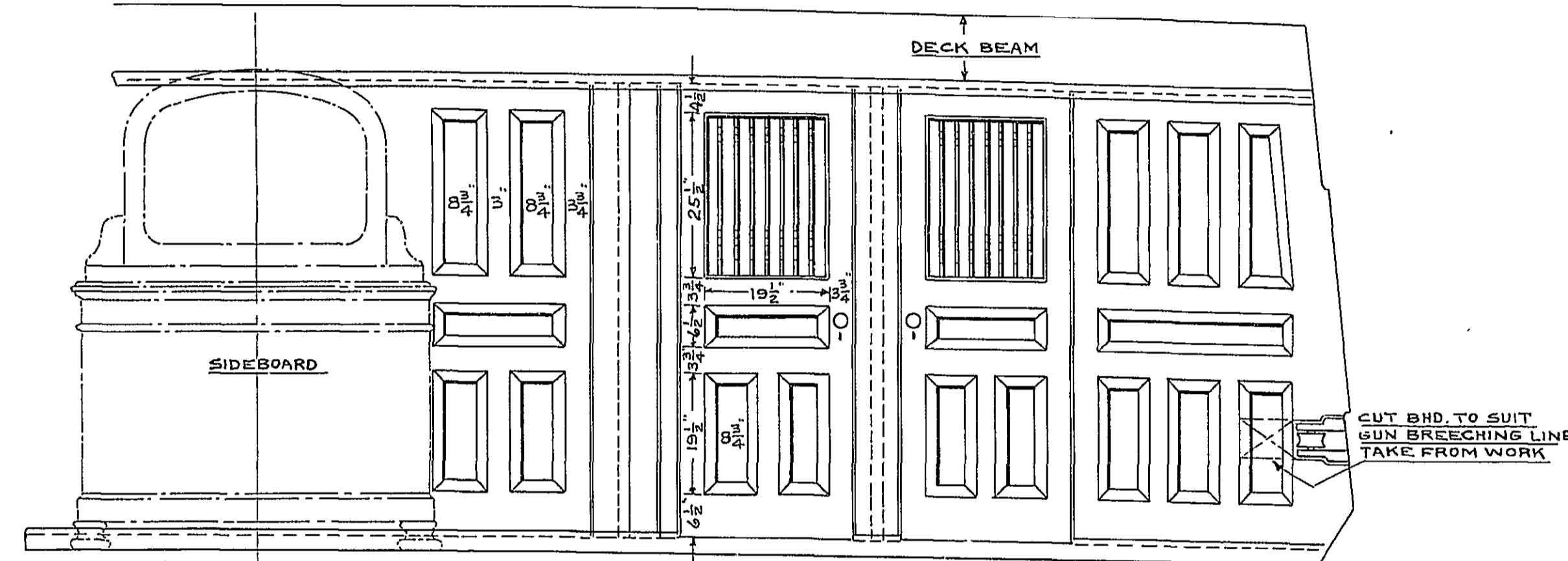
NO PANEL WORK ON END IN WAY OF LOUNGE, LOCKER AND SIDEBOARD



DOOR STOP BEAD



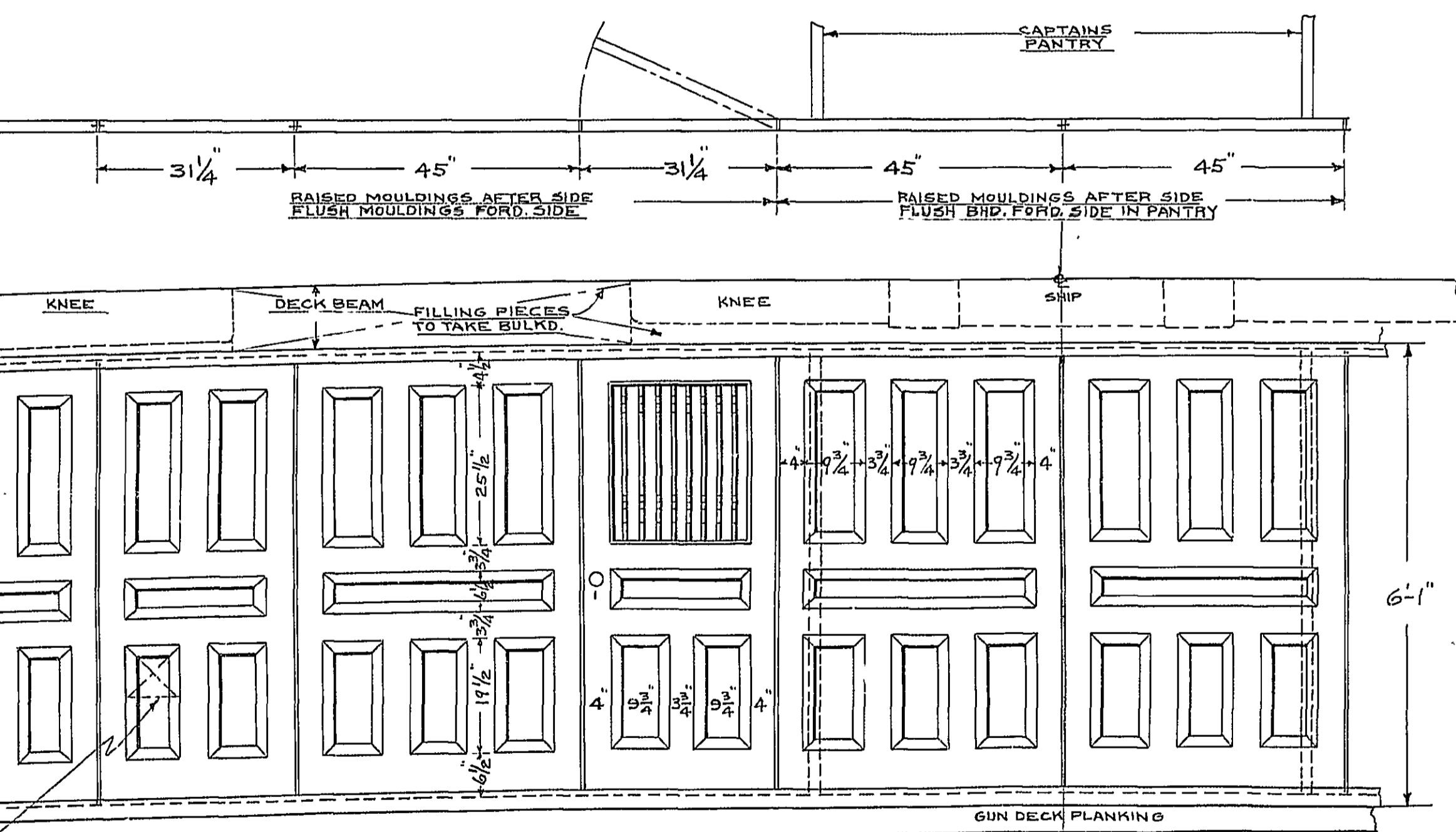
TYPE MOULDINGS ON FORD. TRANSVERSE AND LONGL. BULKHEADS



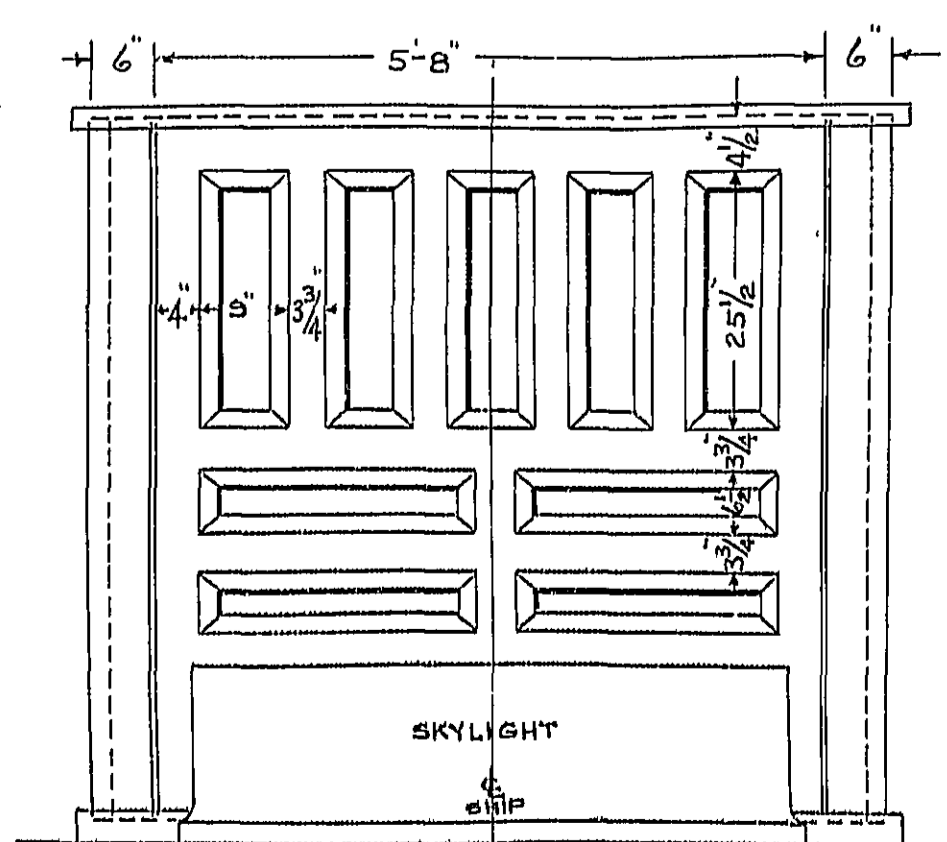
AFTER BULKHEAD LOOKING AFT
PORT SIDE SHOWN - STBD. SIDE SIMILAR

REFERENCE PLANS

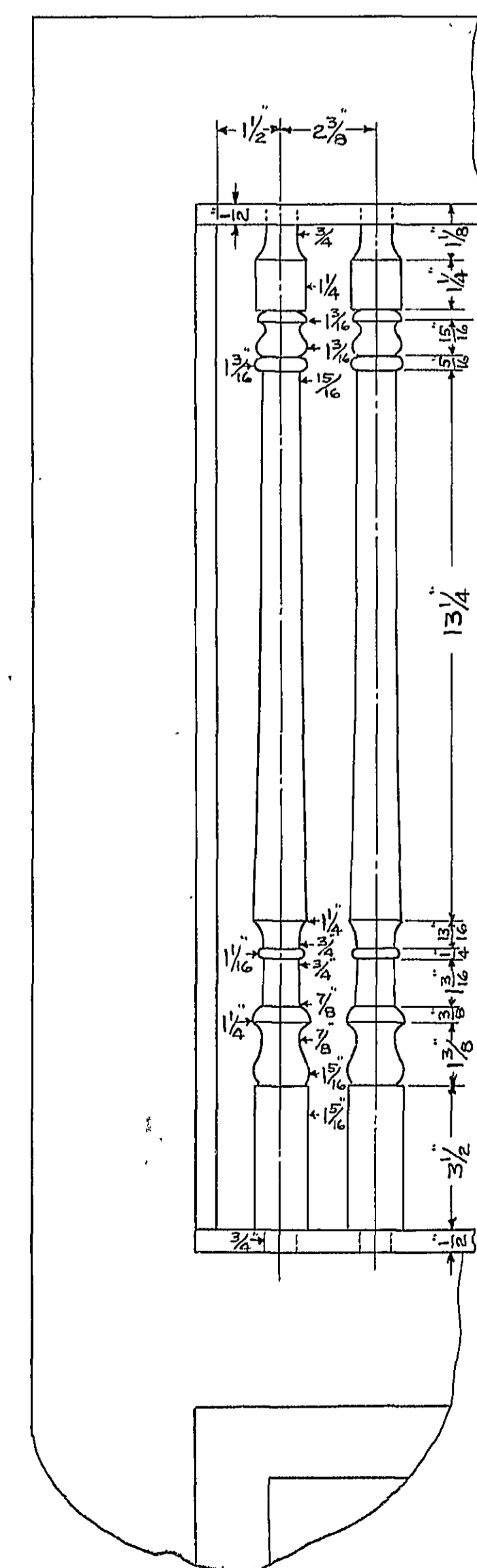
GUN DECK GENERAL ARRANGEMENT	34676
PANELING UNDER SPAR DECK	34667



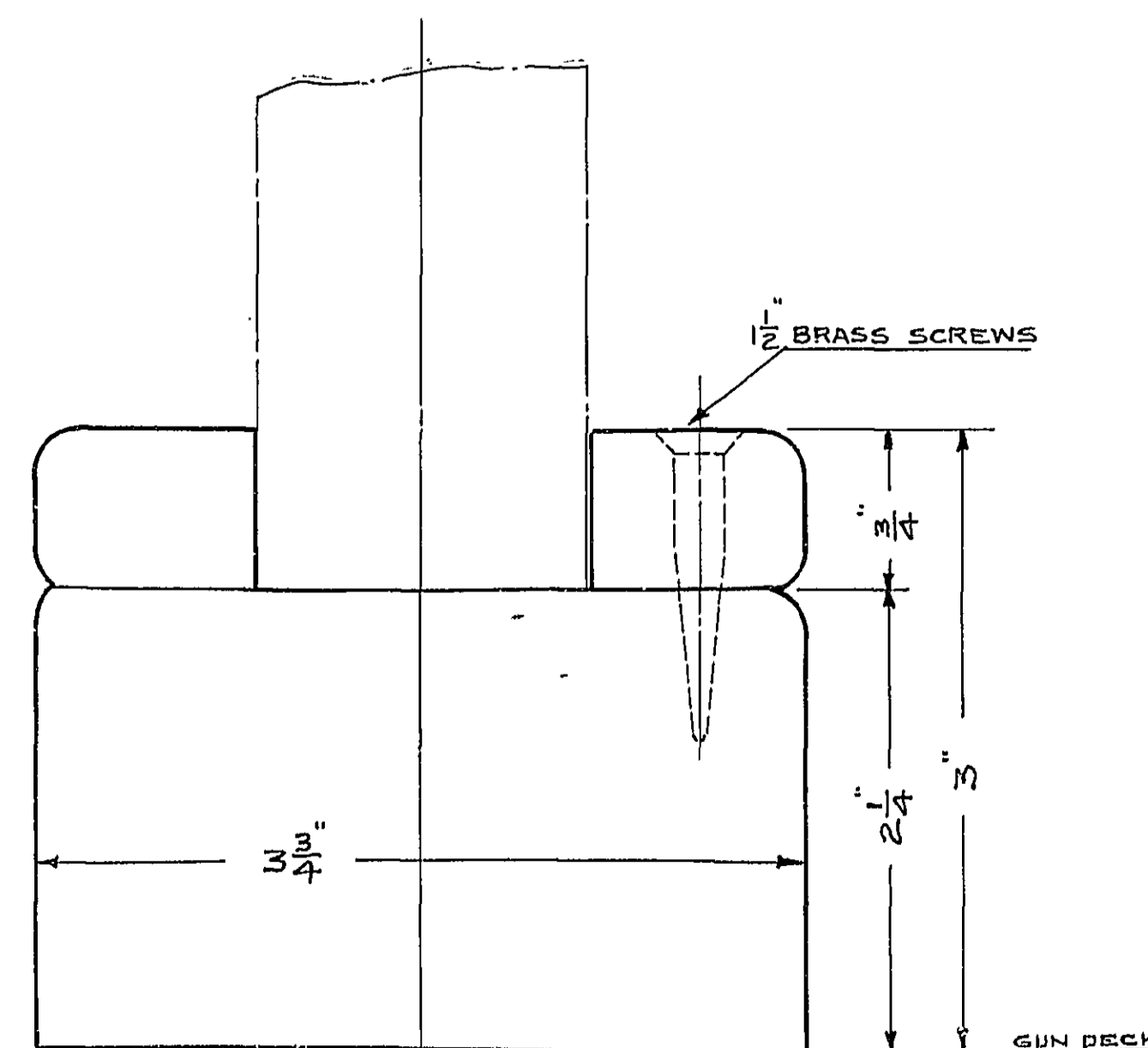
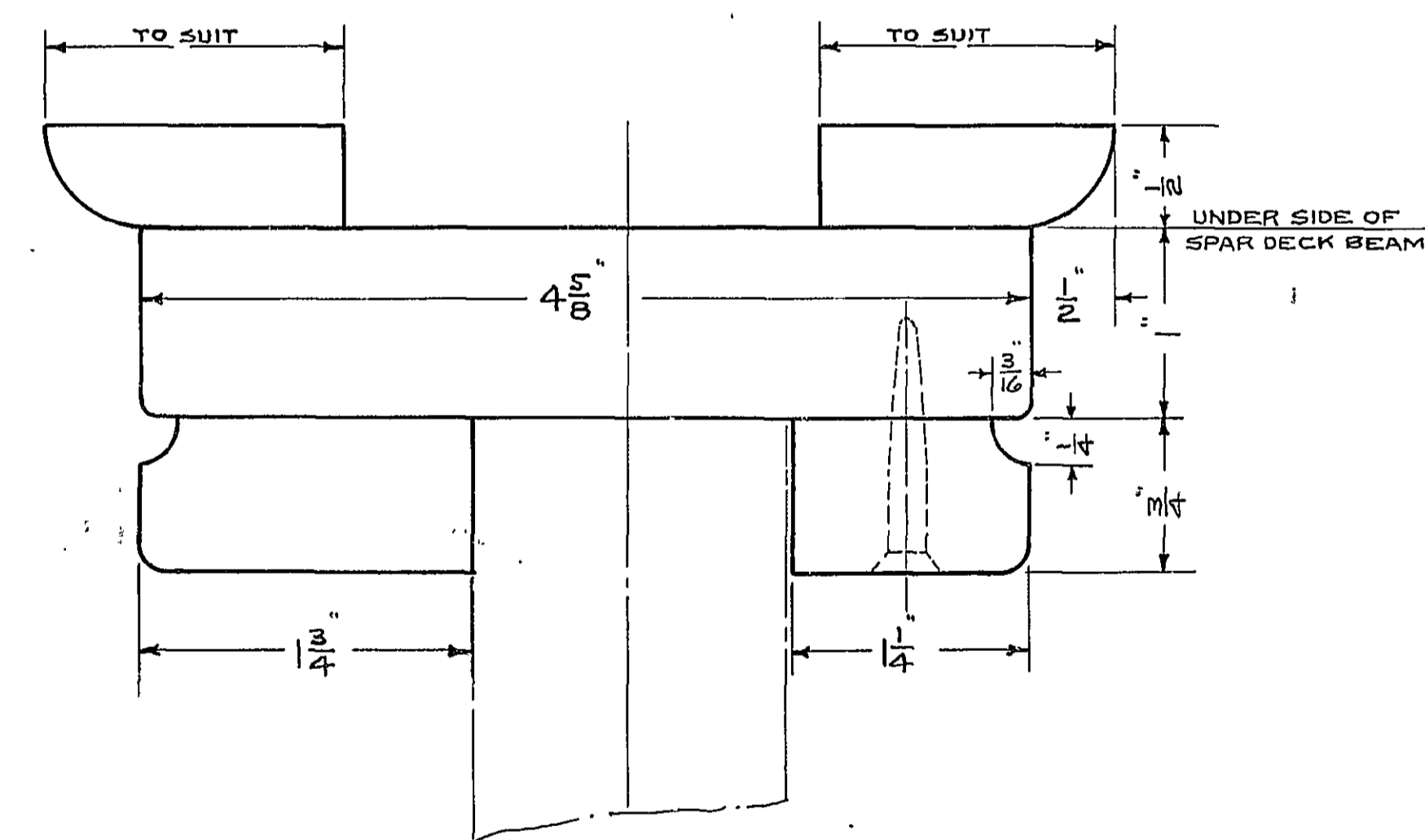
FORWARD BULKHEAD OF FORWARD CABIN
LOOKING FORWARD
SCALE 1/2" = 1 FT.
PORT SIDE SHOWN - STBD. SIDE SIMILAR



FORWARD PANTRY BULKHEAD
LOOKING AFT
FLUSH MOULDINGS ON FORWARD SIDE
FLUSH BULK. ON AFTER SIDE



DETAIL OF DOOR SPINDLES
SCALE 3" = 1 FT.



BULKHEAD SILLS AND HEADERS - WHITE PINE
SILLS BRASS COVERED AT DOORS

- NOTES
- 1-BULKHEADS AND DOORS WHITE PINE
 - 2-EXISTING BULKHEADS AND DOORS TO BE USED WHERE POSSIBLE
 - 3-HARDWARE AS DIRECTED
- THE TYPE MOULDINGS SHOWN ON THIS PLAN WERE TAKEN FROM THOSE FOUND ON THE SHIP PRIOR TO RESTORATION - BY RESEARCH AND CHECKING THEY ARE FOUND TO BE OF THE PERIOD 1800-1815

RESTORATION 1927
U.S. FRIGATE CONSTITUTION
JOINER BULKHEADS - GUN DECK
NAVY YARD BOSTON MARCH 1, 1930

APPROVED FOR MANAGER
John A. Lord
LIEUT.(C.C.) U. S. N.
SUPT. OF RESTORATION