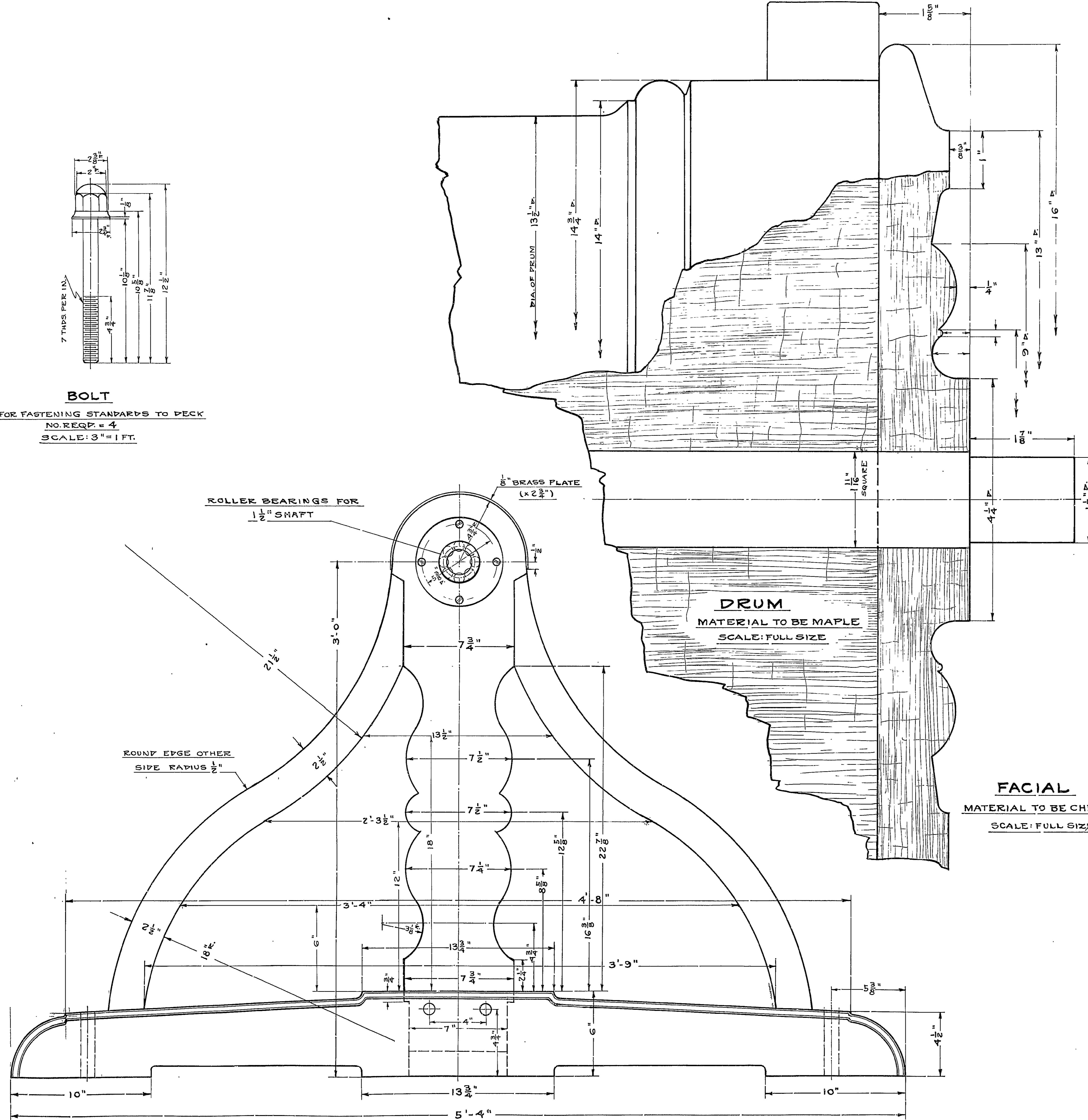


BOLT

FOR FASTENING STANDARDS TO DECK
 NO. REQD. = 4
 SCALE: 3" = 1 FT.



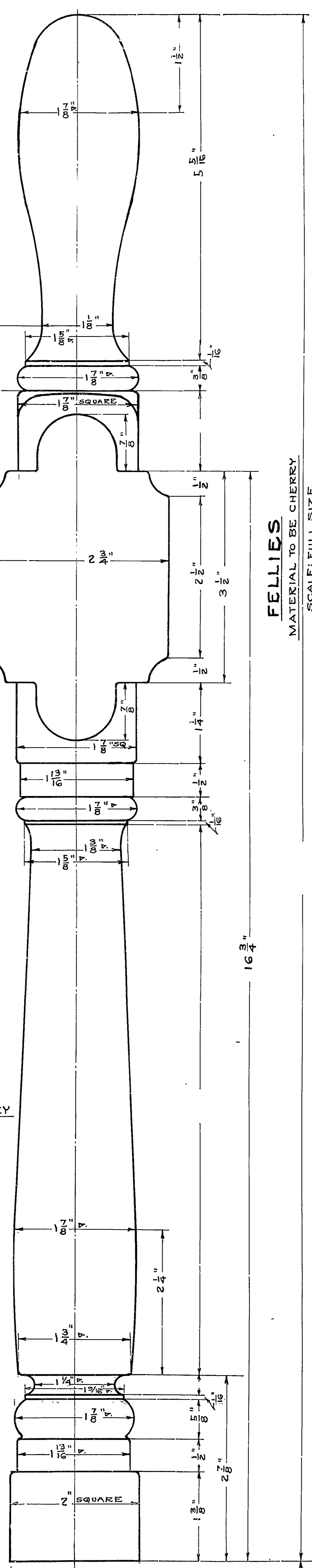
ROLLER BEARINGS FOR
 1 1/2" SHAFT

5" BRASS PLATE
 (x 2 3/4")

ROUND EDGE OTHER
 SIDE RADIUS 1/2"

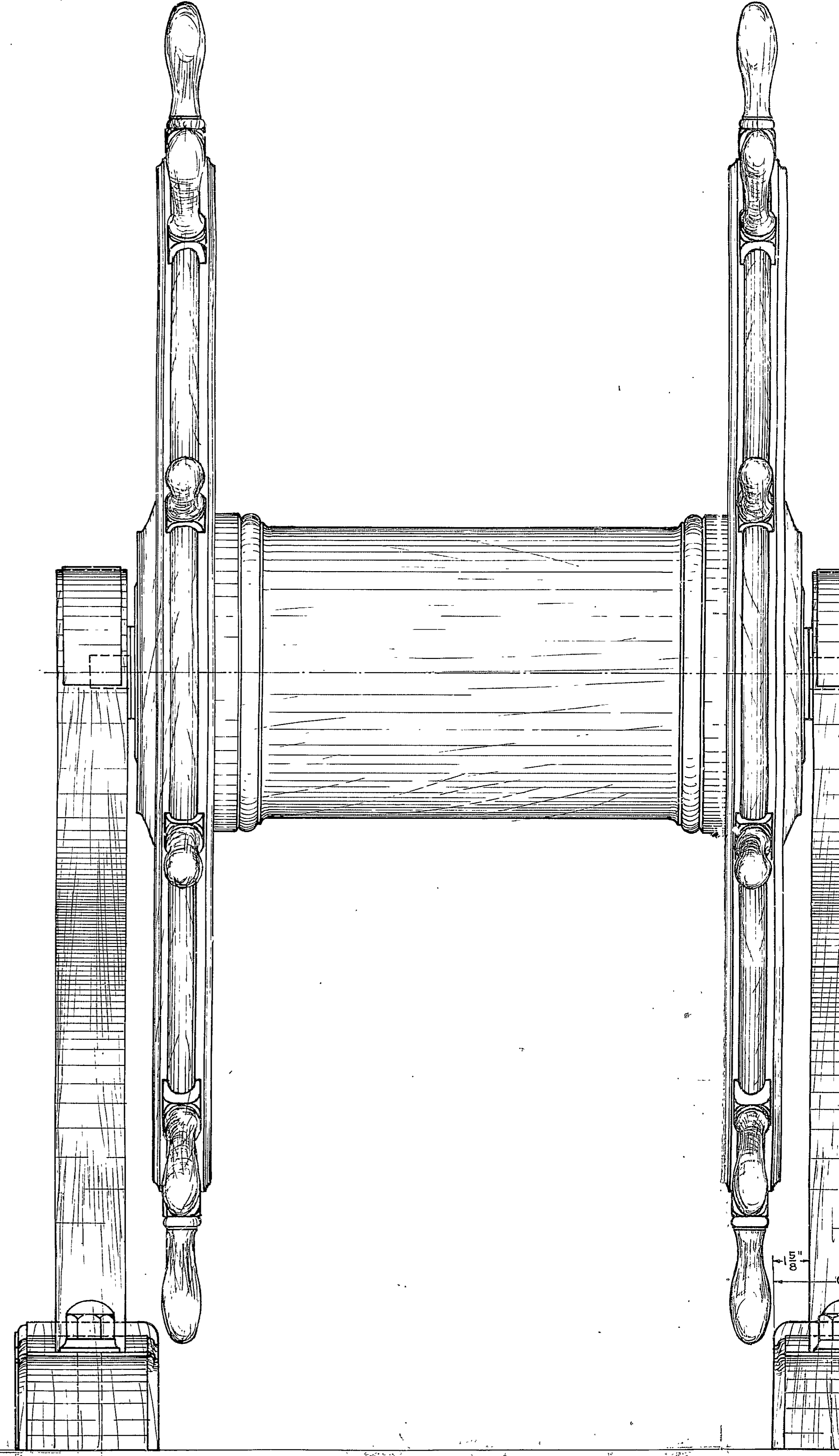
STANDARD
 MATERIAL TO BE CHERRY
 SCALE: 3" = 1 FT.

IN CHARGE OF WORK J.A. LORD LIEUT. (C.C.) U.S.N.
 DRAWN BY:
 TRACED BY: *Walter S. Selman*



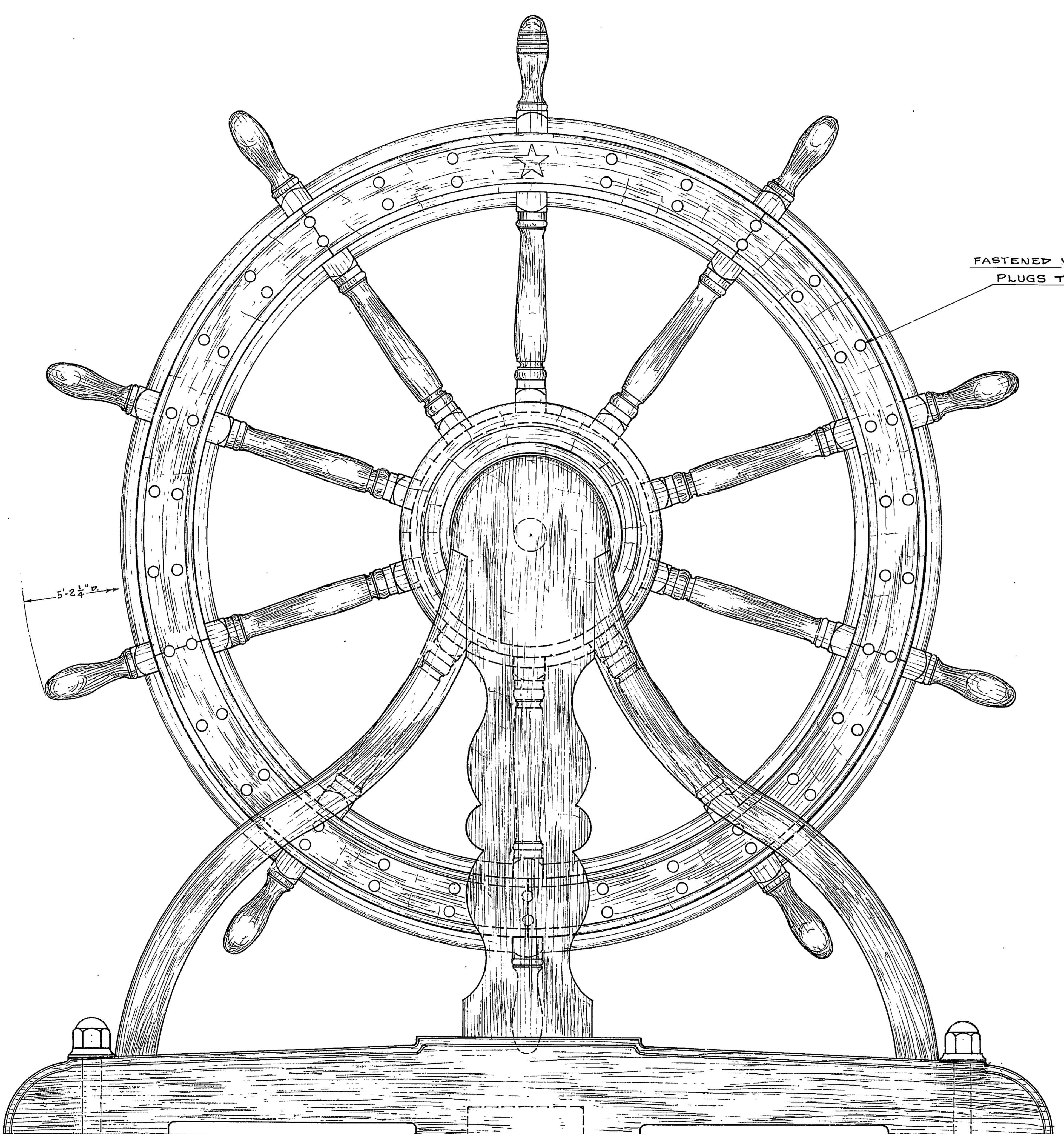
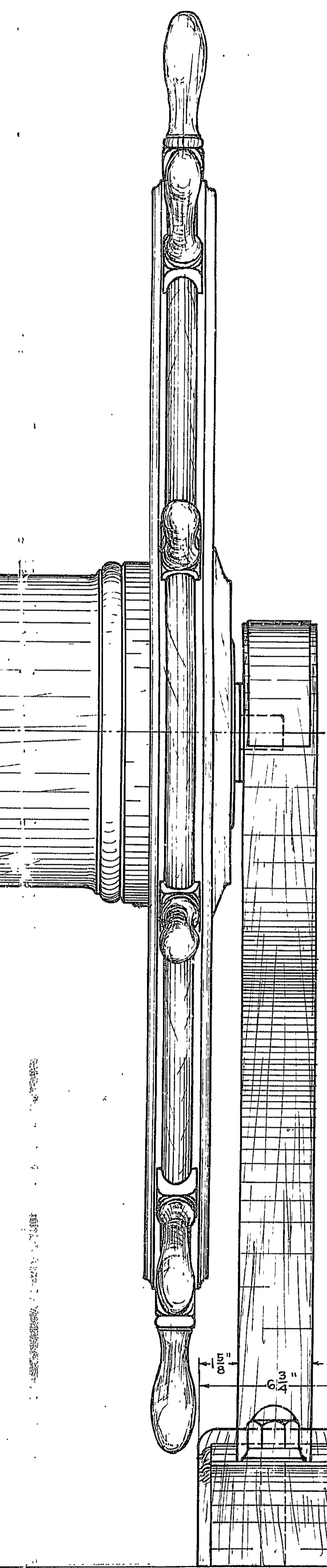
SPOKES
 MATERIAL TO BE CHERRY
 SCALE: 3" = 1 FT.

FELLICs
 MATERIAL TO BE CHERRY
 SCALE: FULL SIZE



ASSEMBLY
 ELEVATION LOOKING TO PORT
 SCALE: 3" = 1 FT.

14 3/4" F. OF DRUM AT THIS POINT



FASTENED WITH BRASS WOOD SCREWS
PLUGS TO BE OF WHITE HOLLY

5'-2 1/2" ø

1 1/8"
6 3/8"
7 1/8"

SPAR-DK.

ASSEMBLY
ELEVATION LOOKING FORE & AFT.
SCALE: 3"=1 FT.

NOTE:
THIS PLAN HAS BEEN DRAWN FROM THE STEERING
WHEEL INSTALLED ON BOARD THE U.S. FRIGATE CONSTITUTION
PRIOR TO RESTORATION 1927 AS A PART OF OLD EQUIPMENT.

RESTORATION 1927-1931

U.S. FRIGATE CONSTITUTION
STEERING WHEEL
GENERAL ARRANGEMENT & DETAILS

NAVY YARD, BOSTON.

MARCH, 1929

SCALE: 3"=1 FT. & FULL SIZE.

R. M. Bush
APPROVED FOR MANAGER