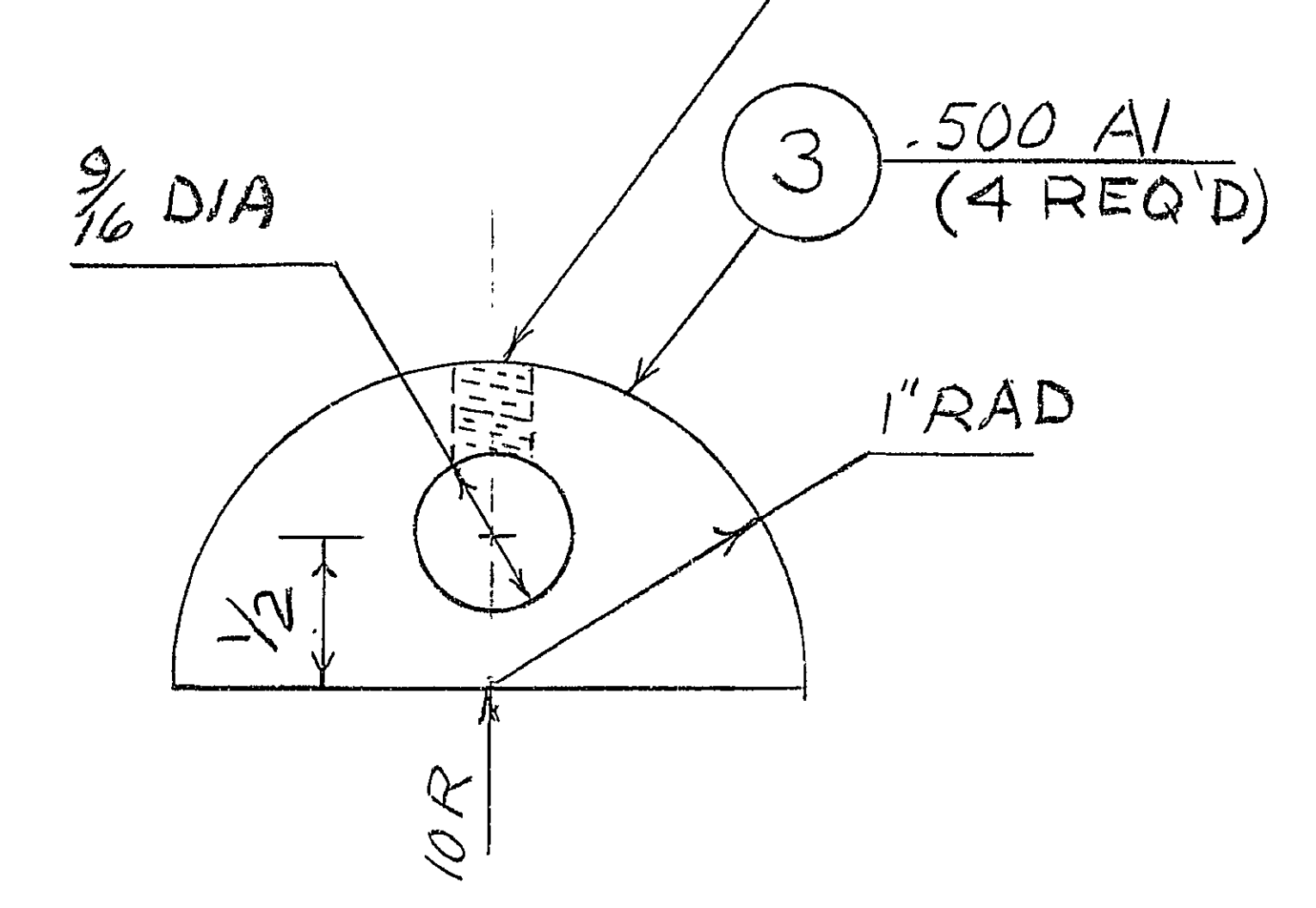
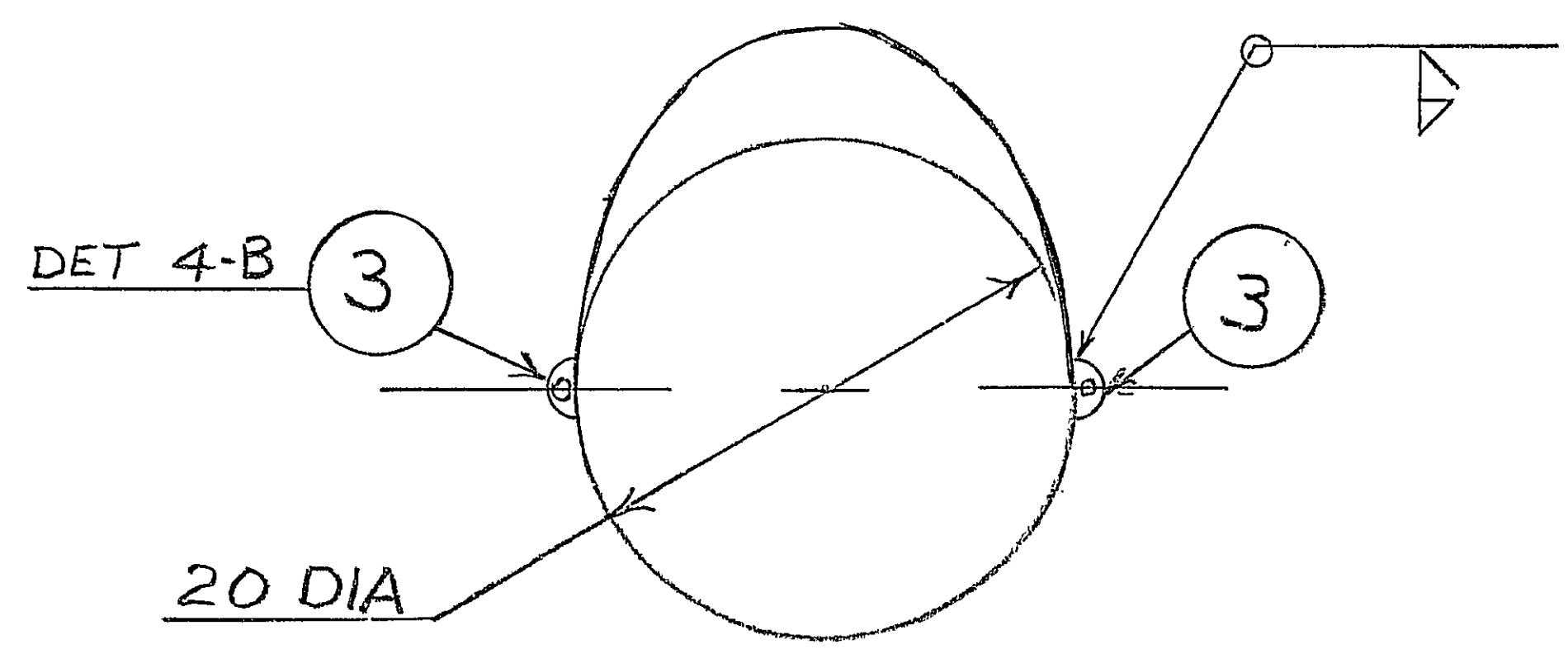


DETAIL 4-C  
SCALE: 1" = 1'-0"

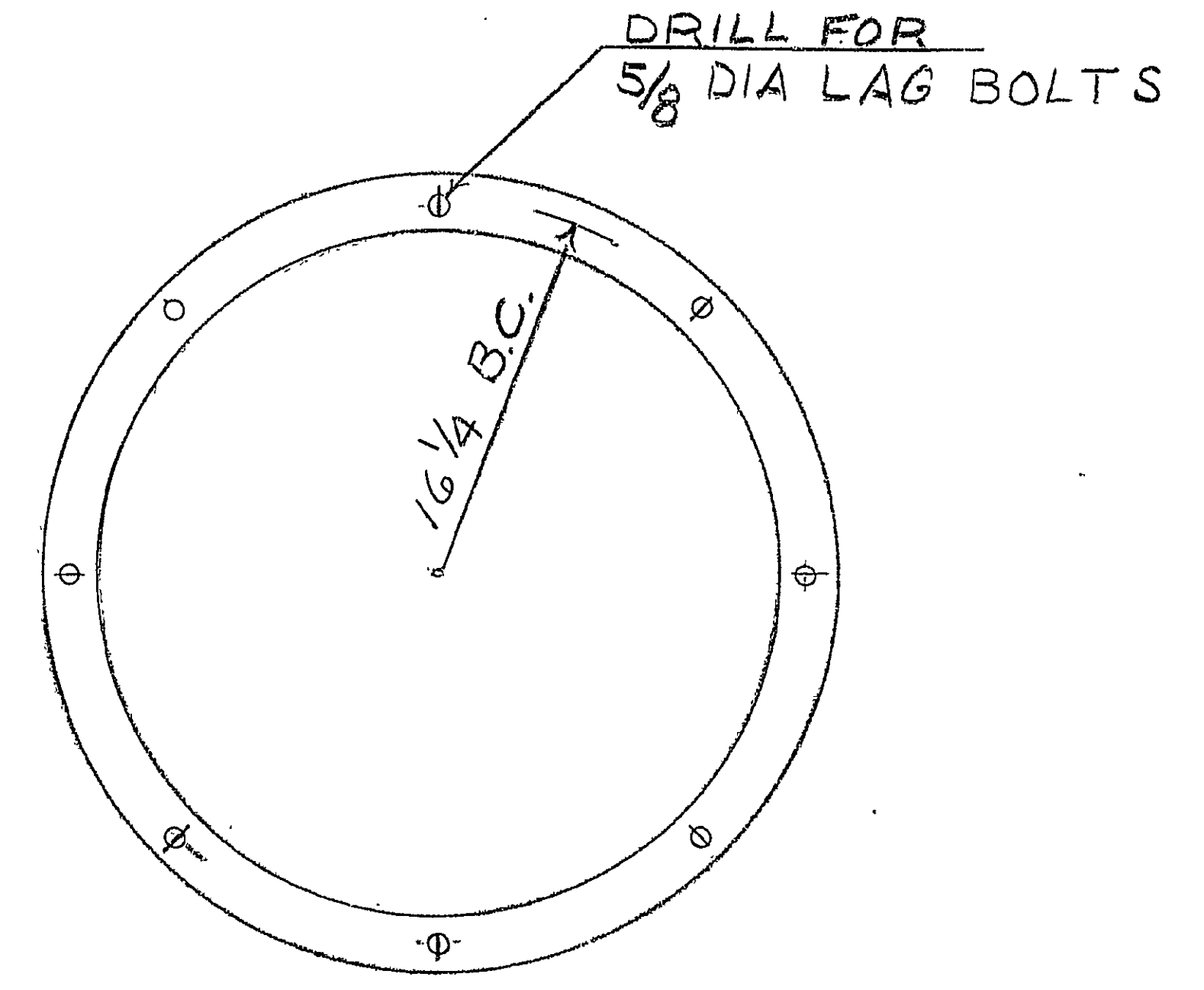
DRILL & TAP FOR 1/4 - 20 x 1/2" LONG  
HEX HD CRES BOLTS (4 REQ'D)



DETAIL 4-B  
SCALE: 12" = 1'-0"

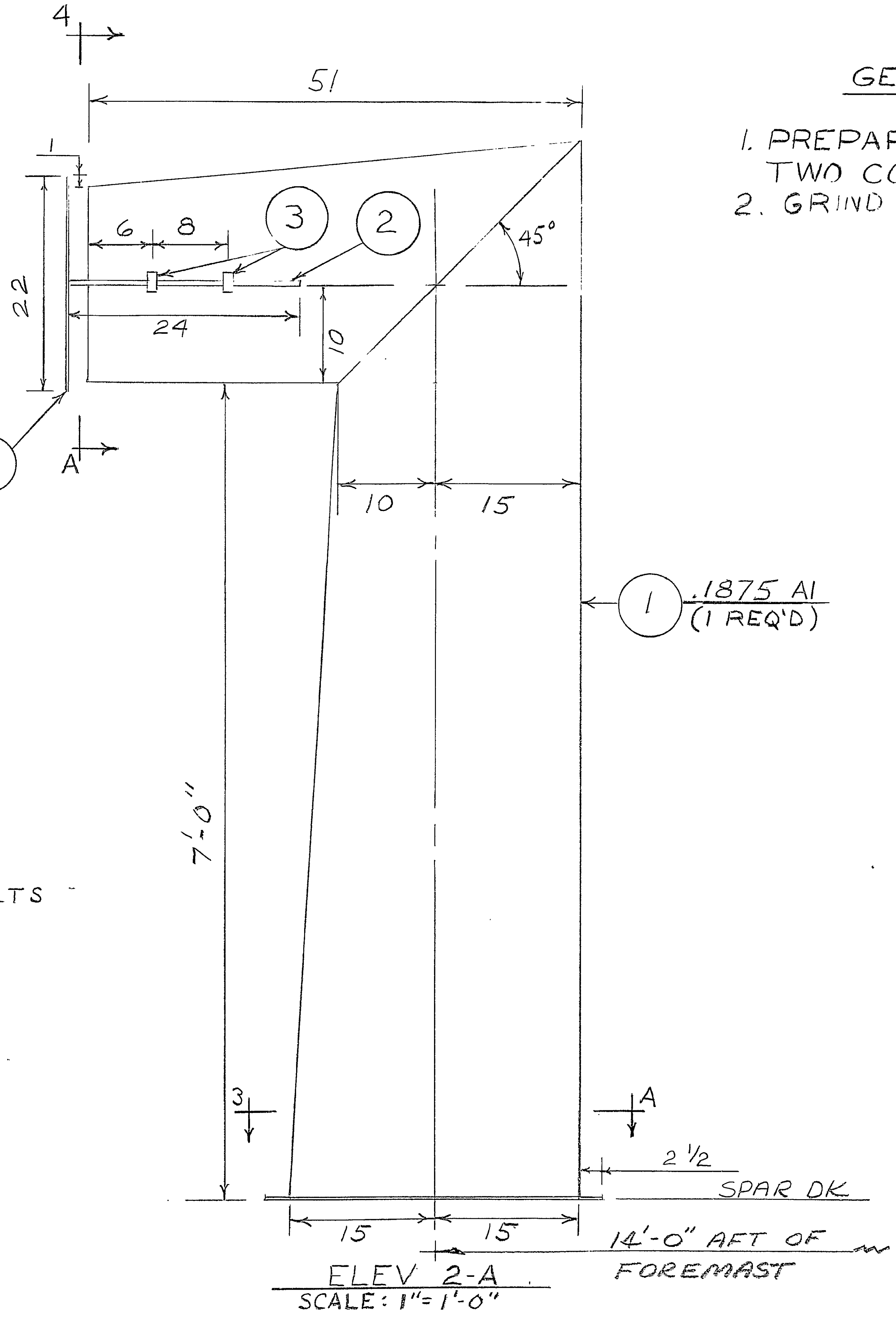


ELEV 4-A  
SCALE: 1" = 1'-0"



PLAN 3-A  
SCALE: 1" = 1'-0"

DET 4-C 4



ELEV 2-A  
SCALE: 1" = 1'-0"

WEIGHT AND MOMENT FOR MATERIAL SHOWN ON THIS DRAWING (TOTALS BY WEIGHT GROUP)						REVISIONS		
REV	ZONE	DESCRIPTION	BY	DATE	APP'D			
						APPROVAL	SIGNATURE	ADDED AT ISSUE

GENERAL NOTES

1. PREPARE & PAINT ALL SURFACES TWO COATS DULL BLACK.
2. GRIND ALL WELDS SMOOTH.

1 .1875 AI  
(1 REQ'D)

FOR LIST OF MATERIAL SEE SHEET NO. ~

THIS DRAWING WAS DEVELOPED IN ACCORDANCE WITH THE LATEST ISSUES OF THE STANDARDS LISTED IN MIL-D-1000 AND INCLUDES THE STANDARDS DESIGNATED IN THE A-B-C NAVAL TRI-PARTITE STANDARDIZATION AGREEMENTS ONM INSTRUCTIONS 5711 34 OF 20 DECEMBER 1962 AND NAVMAT INSTRUCTION 5711 36A OF 14 AUGUST 1967

\* DRAWINGS SO MARKED ARE AFFECTED BY THIS DRAWING AND SHIP DRAWING INDICES SHOULD SO STATE

NO.	TITLE	NAVSHIPS DWG. NO.

REFERENCES	
PRJCT 762012	1X21 USS CONSTITUTION
SHIP IDENT. NO. & NAME	
EXAMINED	BOSTON NAVAL SHIPYARD BOSTON, MASS. 02129
EXT.	
CODE	2050 367
BRANCH HD	Johnson
CHARLIE NOBLE	
CHECKED	John Johnson
DRAWN	J CLANCY
APP'D FOR DESIGN DIV	DATE 1-31-77
APP'D OTHER THAN DESIGN DIV	

NO.	RESERVATION	ESTIMATED RELEASE DATE

NO.	SIZE	CODE IDENT. NO.	NAVSHIPS DWG. NO.	REV.

SCALE AS SHOWN SHEET 1 of 1

4620582

2850257

ISSUES	DATE	REVISION	BY	APP'D