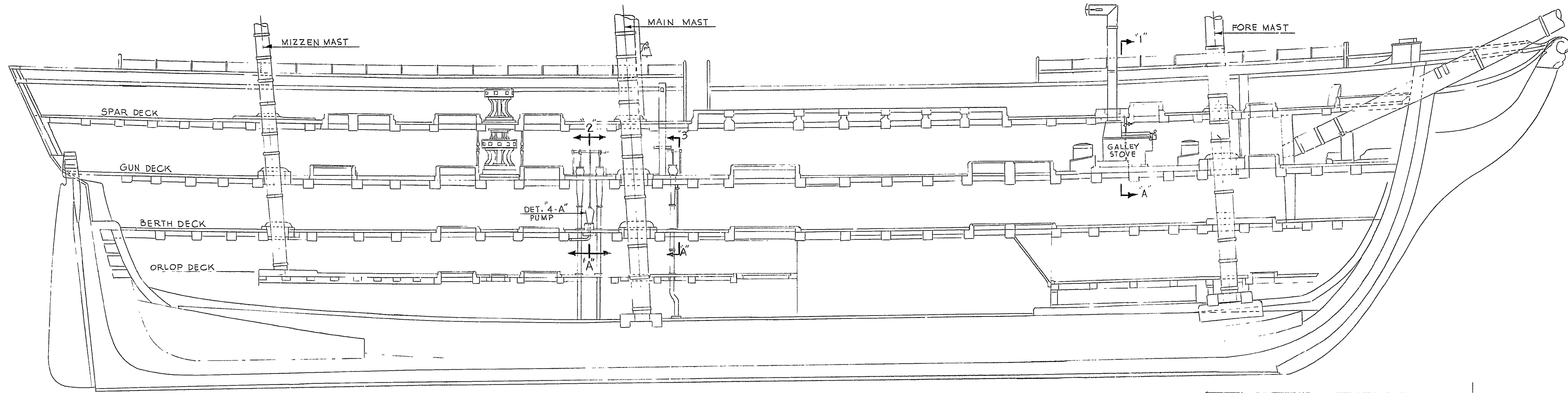
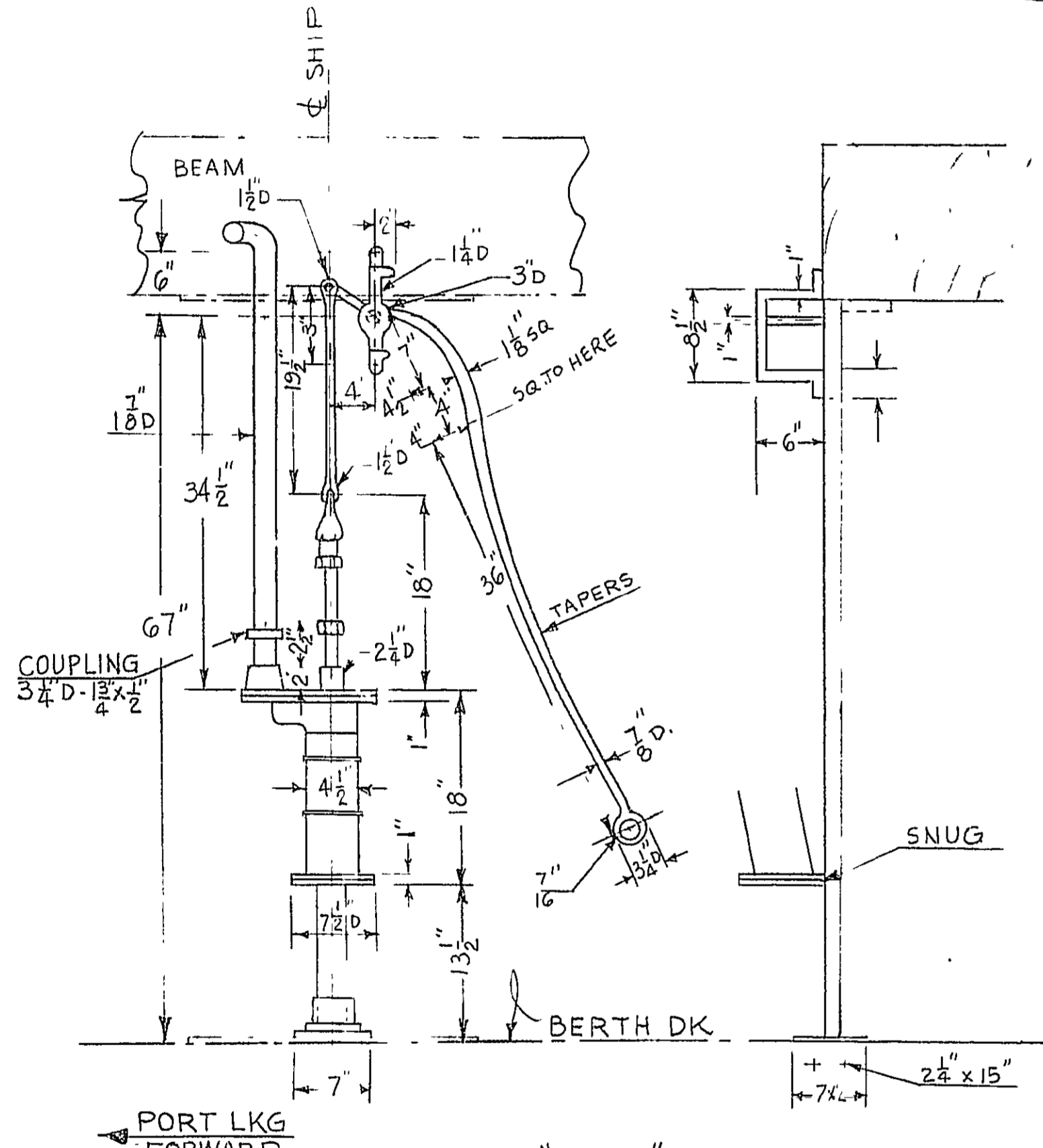


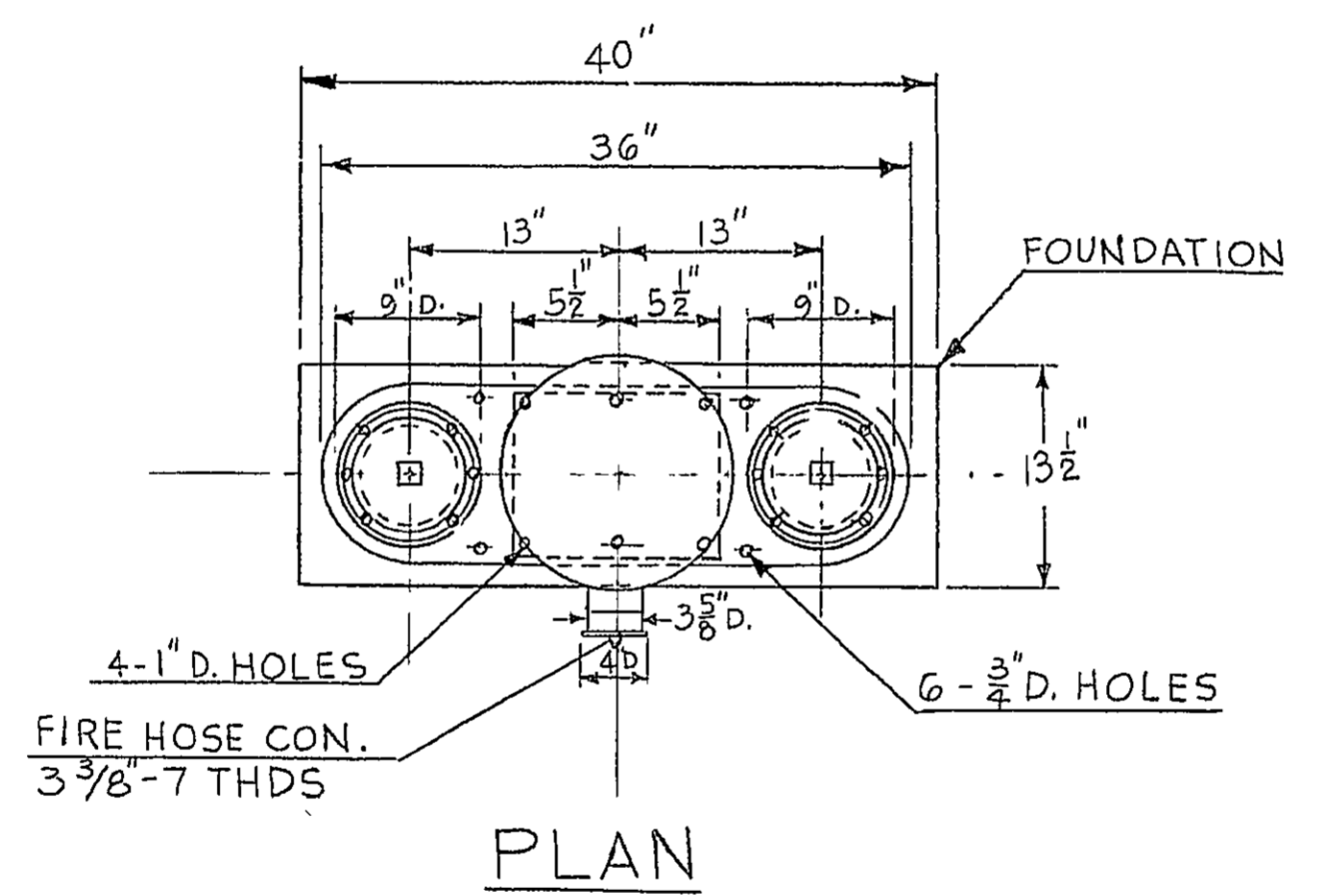
DET. "4-C"  
SCALE: 1"=1'-0"



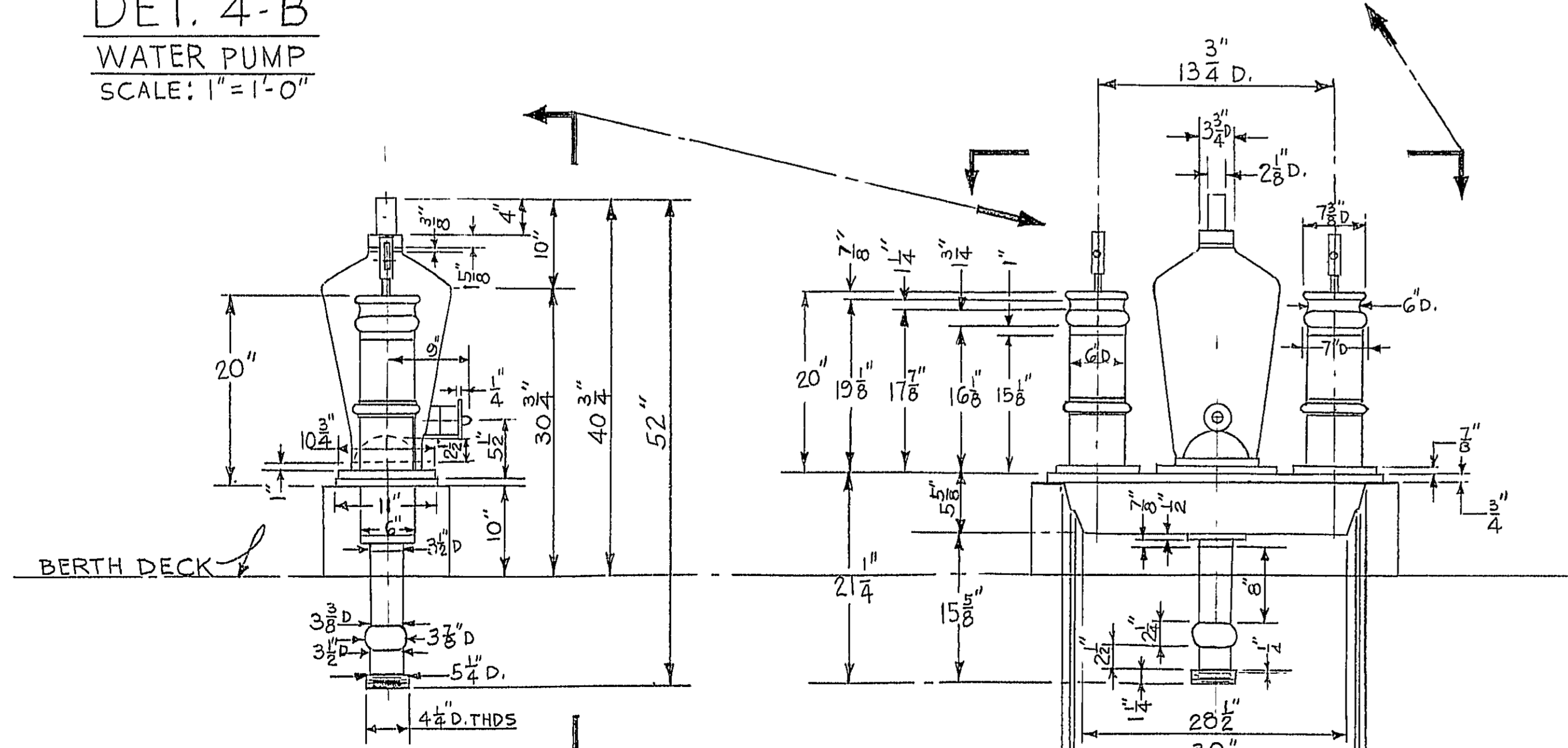
ELEVATION "3-B"  
INBOARD PROFILE  
NO SCALE



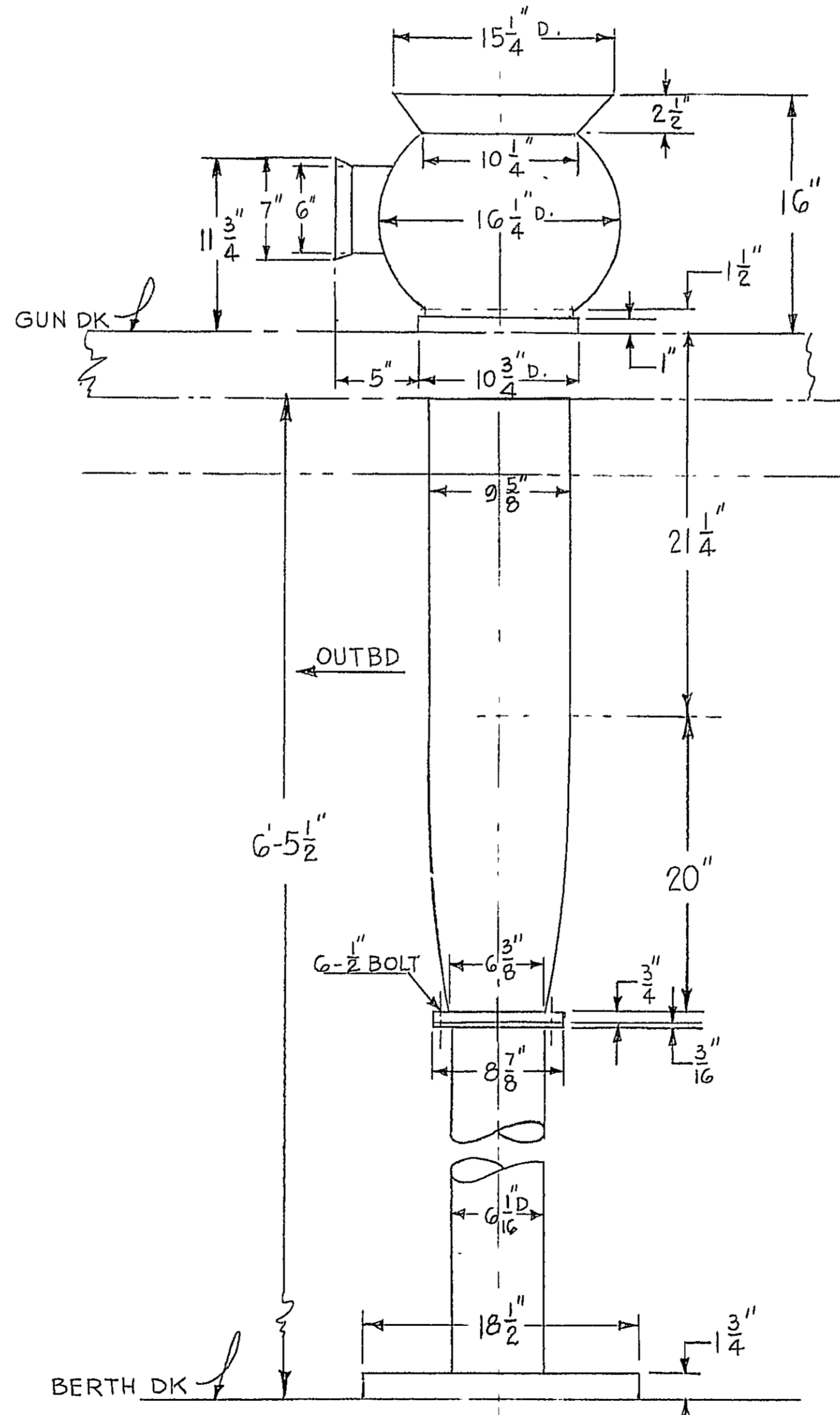
DET. "4-B"  
WATER PUMP  
SCALE: 1"=1'-0"



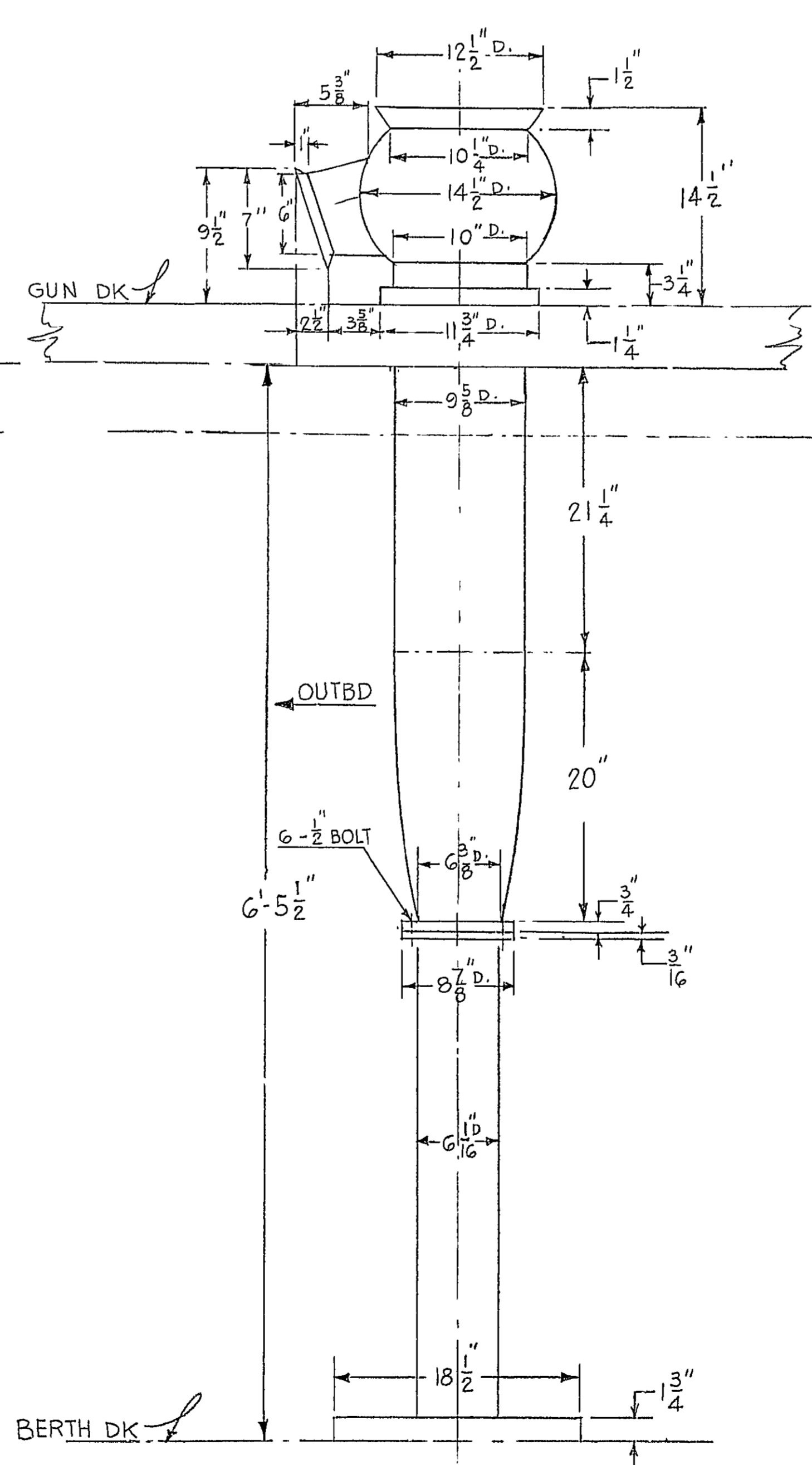
PLAN



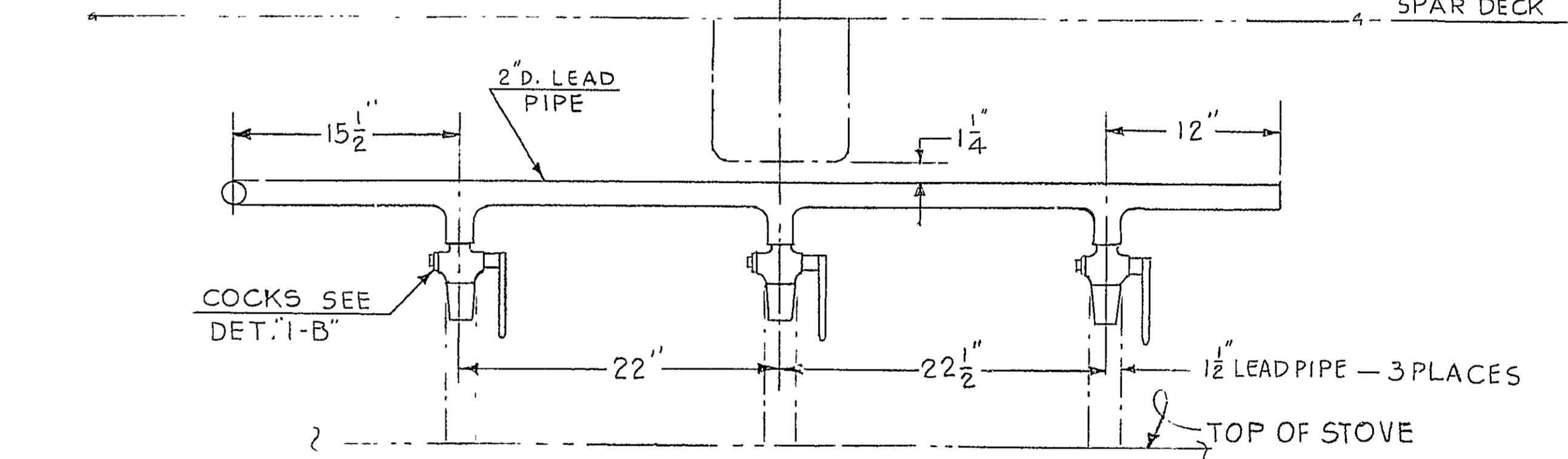
DET. "4-A"  
PUMP BERTH DK  
SCALE: 1"=1'-0"



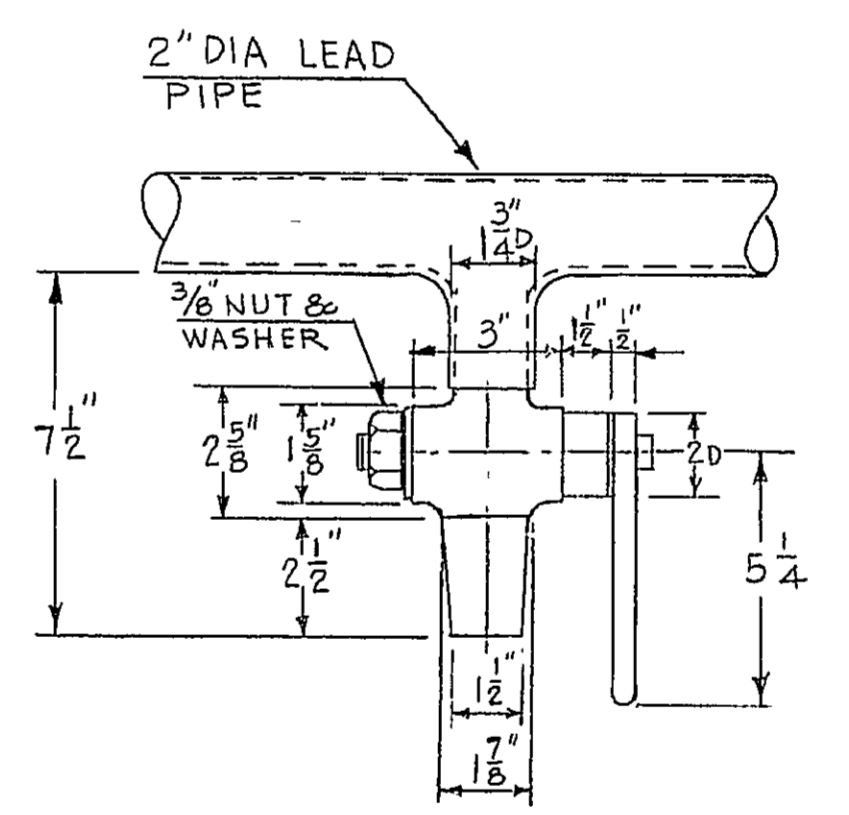
SECT. "3-A"  
STBD SHOWN - PORT SIM. TO OPP HAND  
2-ASSY REQ'D  
SCALE: 1 1/2"=1'-0"



SECT. "2-A"  
STBD SHOWN - PORT SIM. TO OPP HAND  
4-ASSY REQ'D  
SCALE: 1 1/2"=1'-0"



SECT. "1-A"  
SCALE: 1 1/2"=1'-0"



DET. "1-B"  
SCALE: 3"=1'-0"

THIS DRAWING WAS PREPARED FROM 1929 RESTORATION DRAWINGS AND SKETCHES. DRAWING METHODS AND PRESENTATION SHOWN ARE TYPICAL OF THAT ERA.

3	DRAINAGE, FLOODING, FRESH WATER AND SANITARY PIPING - SPAR DECK AND SECTIONS	# 24404
2	DRAINAGE, FLOODING, FRESH WATER AND SANITARY PIPING - ORLOP DECK AND HOLD	# 24403
1	DRAINAGE, FLOODING, FRESH WATER AND SANITARY PIPING - GUN AND BERTH DECKS	# 24402
NO.	TITLE	NAVSHIPS DWG NO.
REFERENCES		
AUTH: IX 21 1973 RESTORATION	IX 21	USS CONSTITUTION
EXAMINED		BOSTON NAVAL SHIPYARD BOSTON, MASS. 02129
CODE	250.2 EXT.	FITTINGS, PUMP & PIPE FITTINGS
BRANCH HD	Admiral	OVER GALLEY, SKETCHES OF FIRE PUMP-BERTH DK WATER PUMP-BERTH DK.
CHECKED	J. Schatz	
DRAWN	J. SCHATZ	
APFD FOR DESIGN DIV	DATE: 3-11-75	SIZE: H 80000/IX 21
APFD (OTHER THAN DESIGN DIV)	SCALE: NOTED	NAVSHIPS DWG NO. BNS # 50976
		SHEET