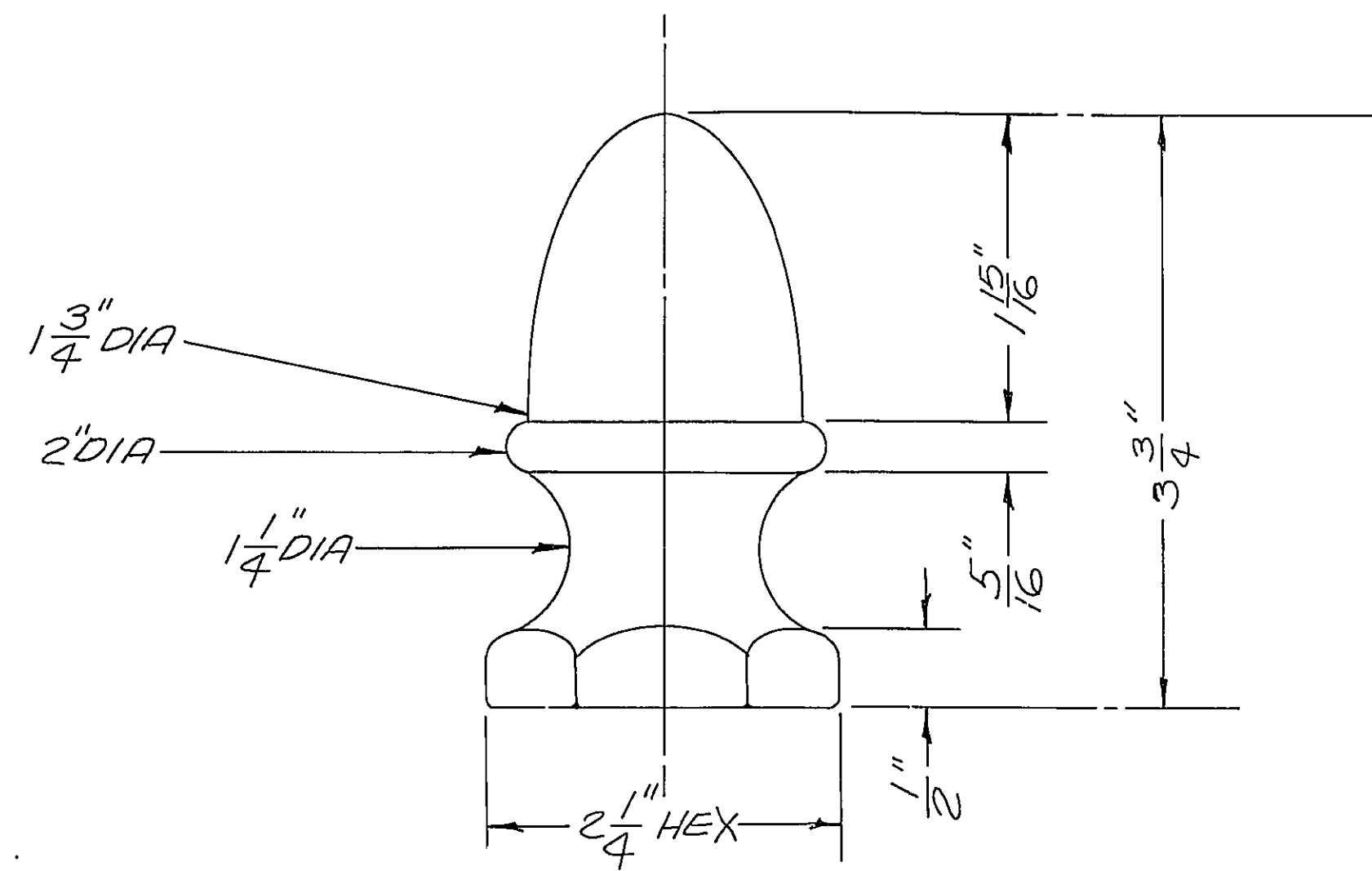
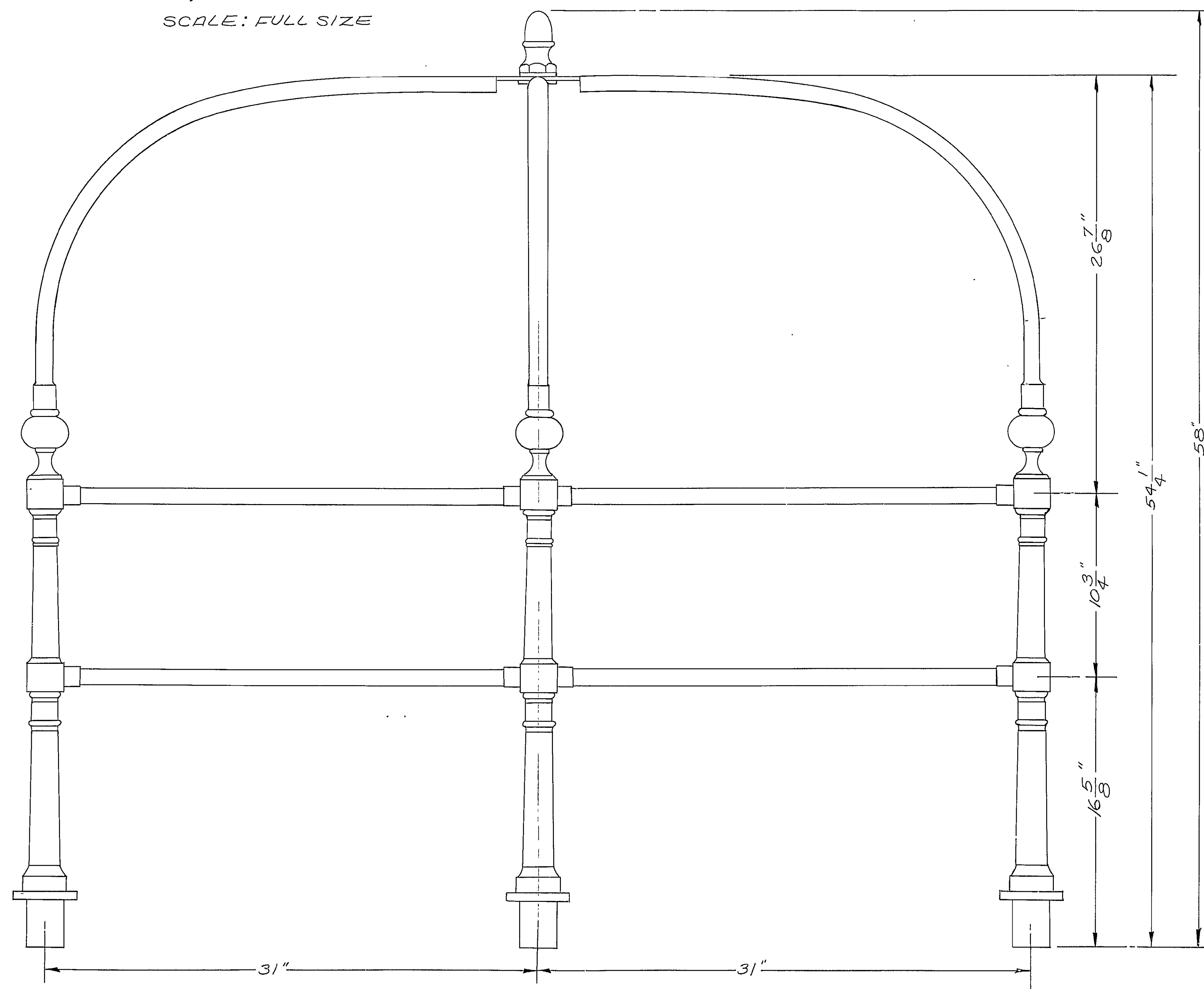


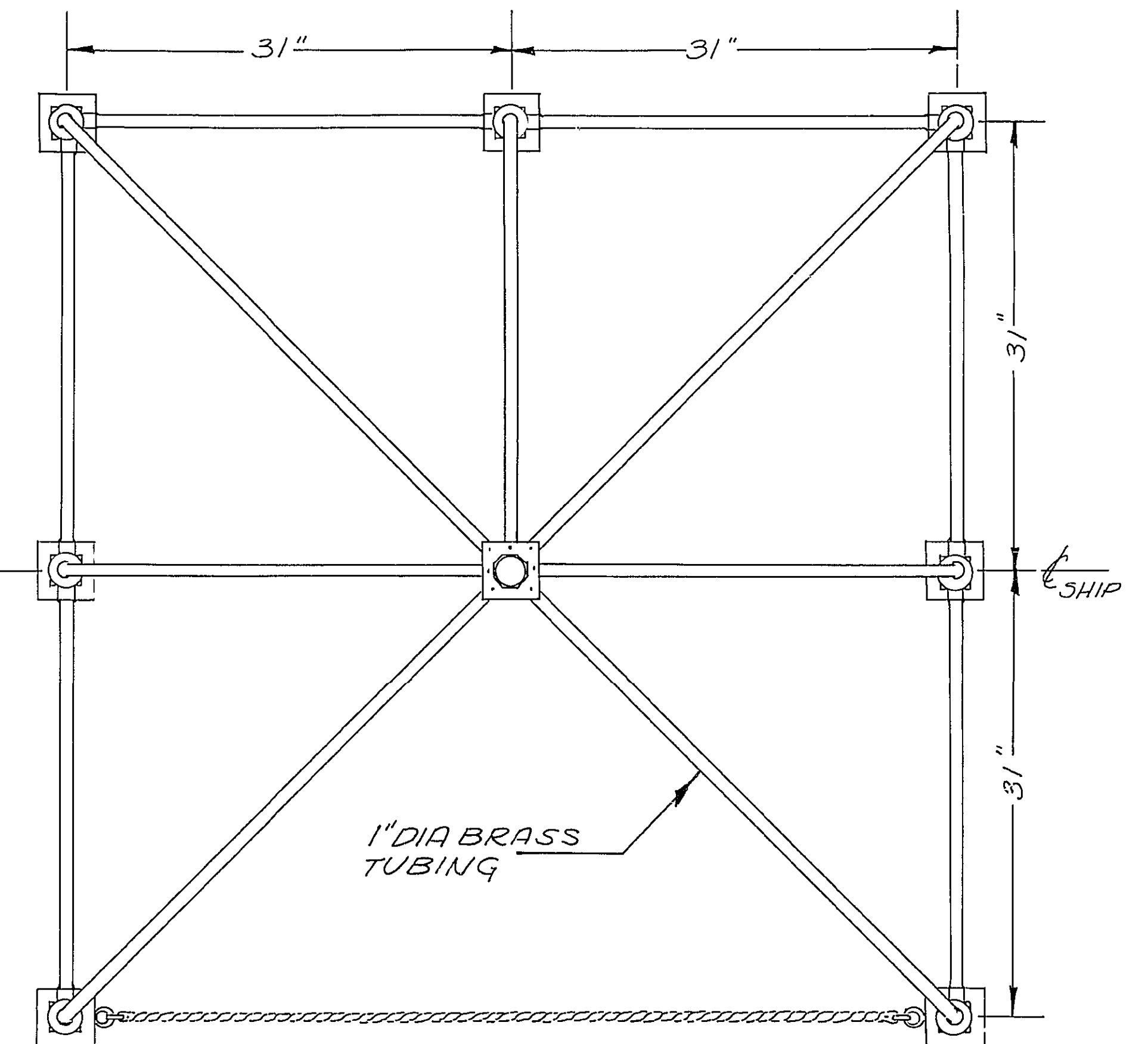
STANCHION FOR CANOPY FRAME
SCALE: HALF SIZE



FINIAL
SCALE: FULL SIZE



SIDE ELEVATION
SCALE: 3" = 1'-0"



PLAN VIEW
SCALE: 1/2" = 1'-0"

THIS DRAWING WAS PREPARED FROM 1923 RESTORATION DRAWINGS AND SKETCHES. DRAWING METHODS AND PRESENTATION SHOWN ARE TYPICAL OF THAT ERA.

No.	TITLE	NAVSHP'S DWG NO.
REFERENCES		
AUTH:	(1821)	
	1973 RESTORATION	1821 USS CONSTITUTION
		SHIP IDENT. NO. & NAME
EXAMINED	BOSTON NAVAL SHIPYARD BOSTON, MASS. 02129	
CODE	2522	EXT. 272
BRANCH HD	C. Boxher	
CHECKED	C. Boxher	
DRAWN	C. Hawkes	
APP'D FOR DESIGN DIV	DATE 8/24	SIZE CODE IDENT. NO. H 80060/1821
APP'D (OTHER THAN DESIGN DIV)		50980
SCALE: AS SHOWN		SHEET 1 OF 1

COMPANION-WAY
CANOPY FRAME