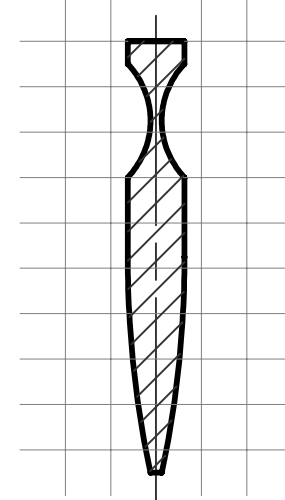


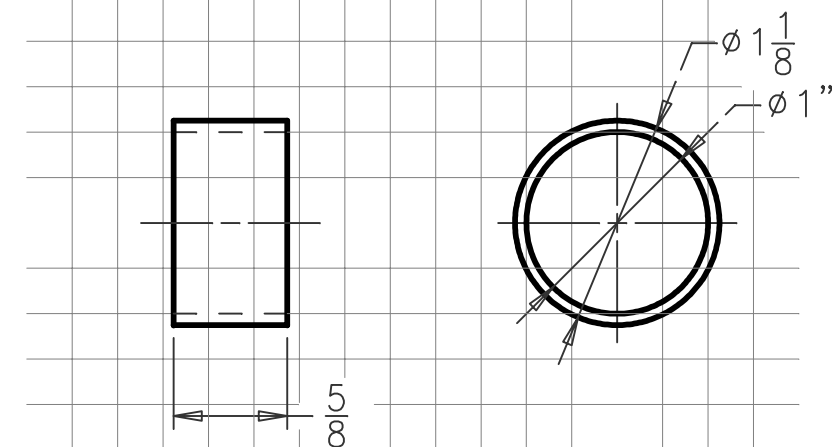


LIST OF MATERIAL									
ITEM NO.	QTY	DESCRIPTION	MTL SPEC	MTL REQ	NSN OR MFGR PT NO.	SCE	APL NO.	UNIT WT	REMARKS
1	1	BLADE		STEEL					1070 CARBON STEEL
2	1	HAND GUARD, 1/16" THICKNESS		STEEL					1020 LOW CARBON STEEL
3	2	FERRULE, GRIP		STEEL					1020 LOW CARBON STEEL
4	1	GRIP		WOOD					MAPLE

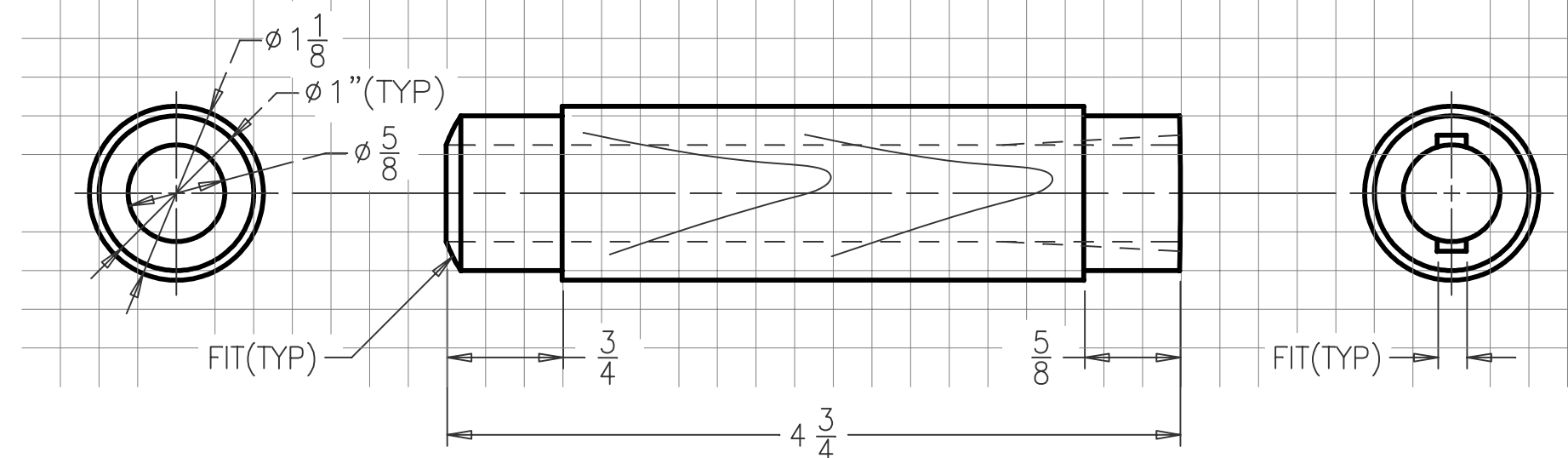
REVISIONS				
REV	ZONE	DESCRIPTION	BY	DATE



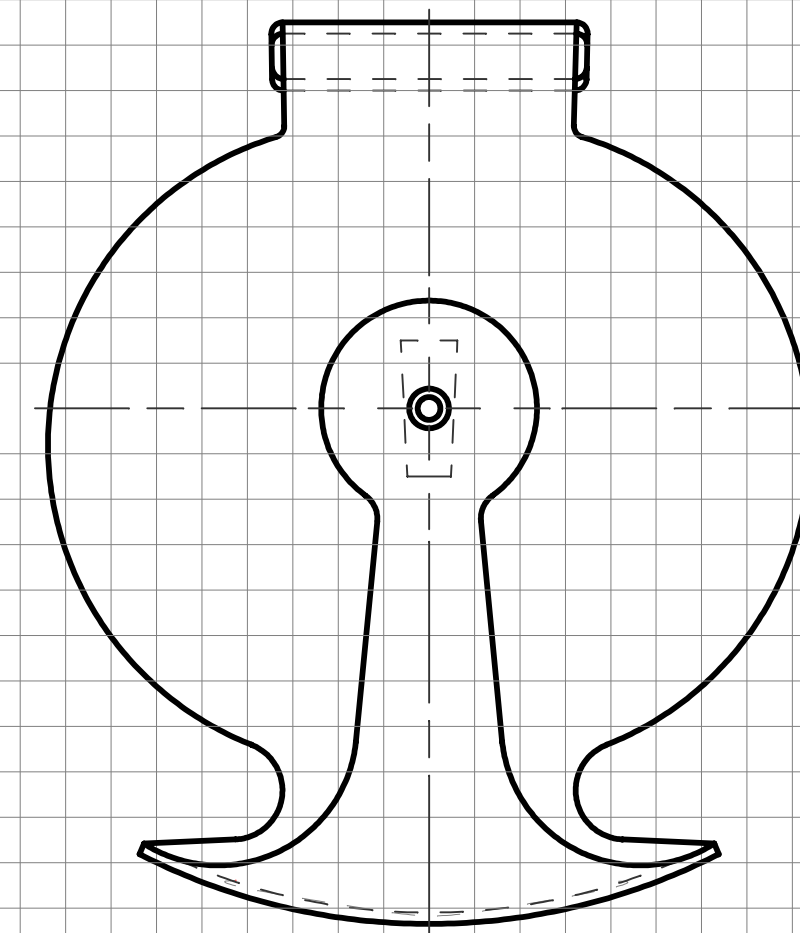
BLADE
CROSS SECTION AT MID-BLADE
SCALE 2/1



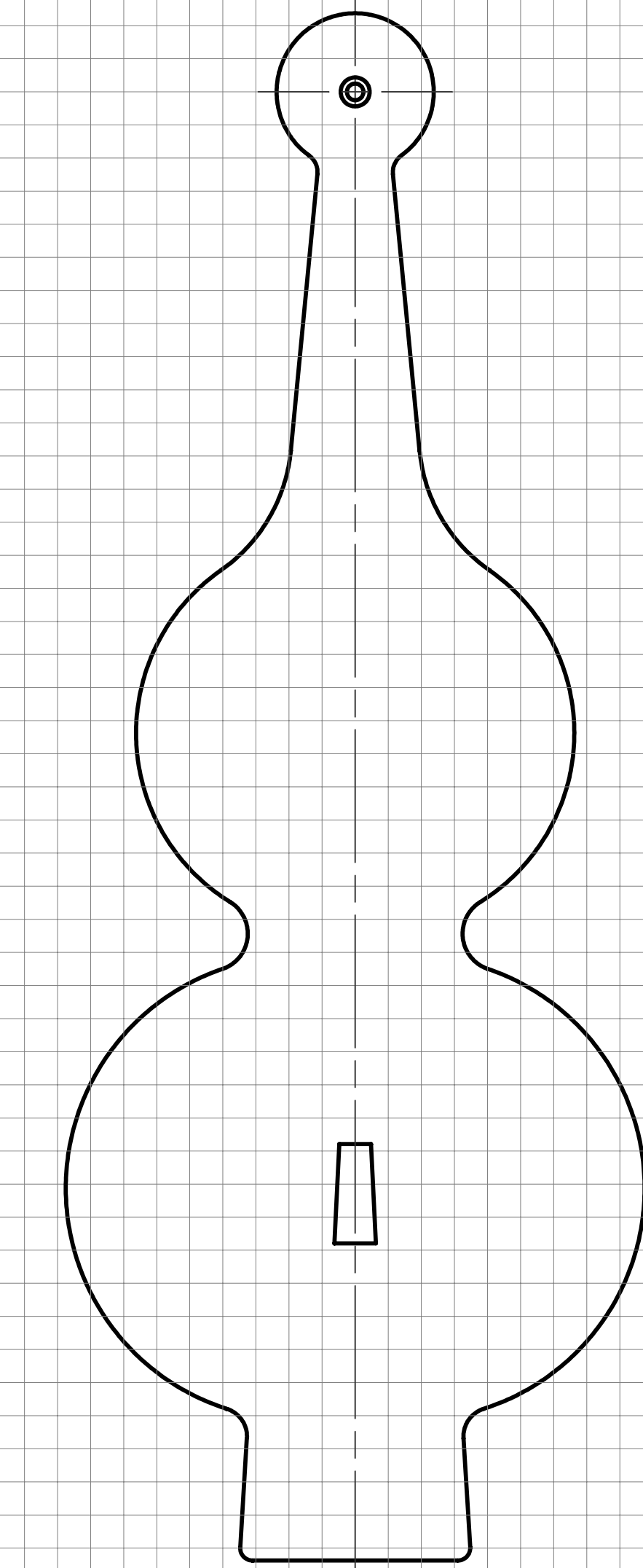
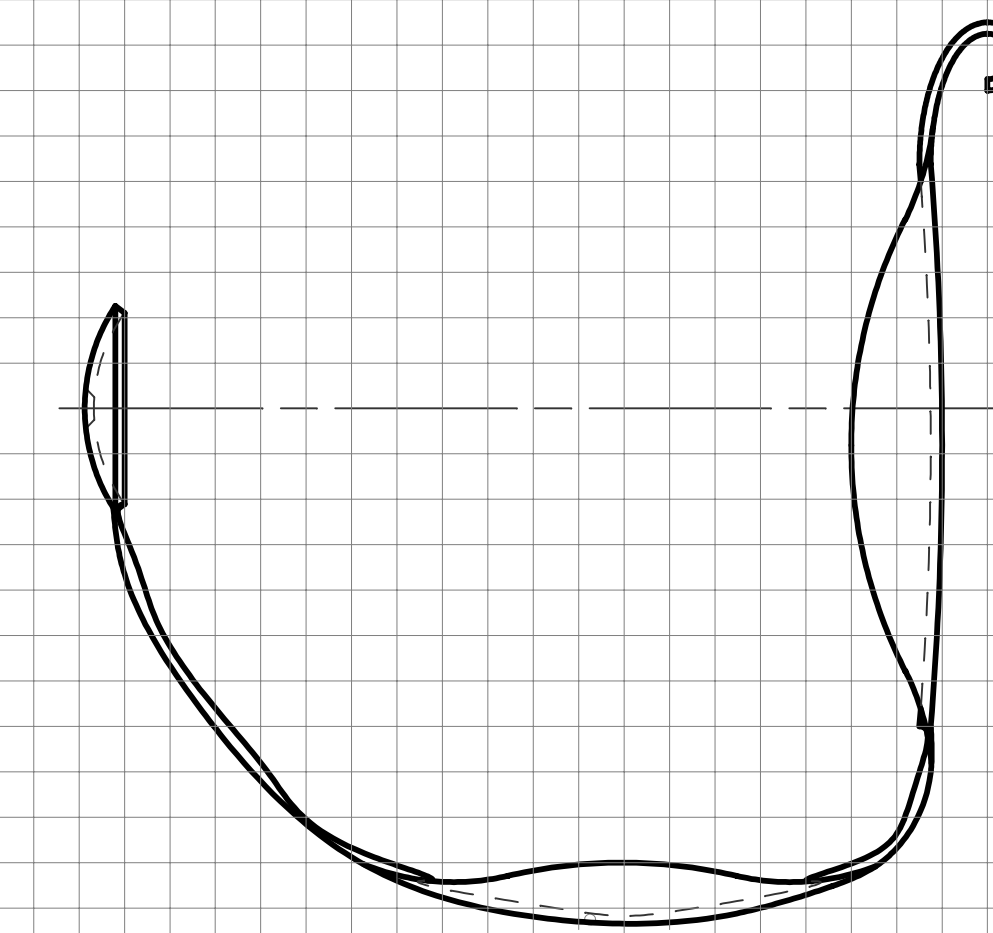
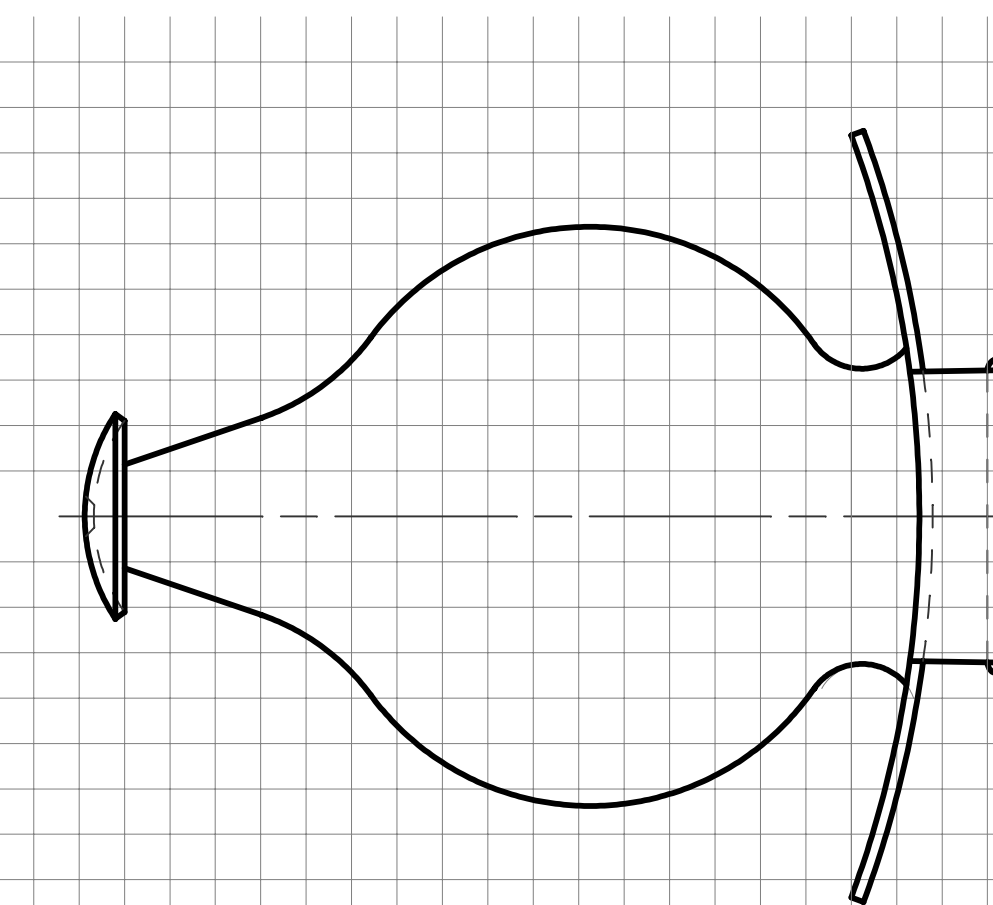
GRIP FERRULE (2 REQD)
1/4" GRID - FULL SIZE



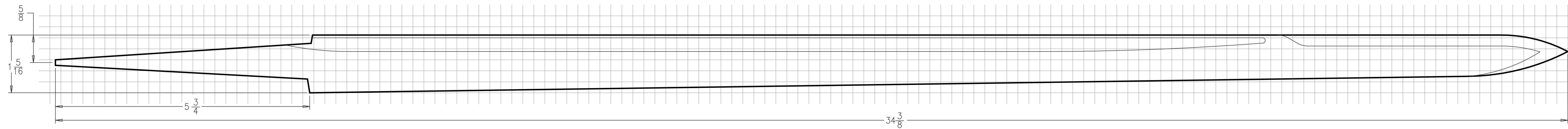
HAND GRIP
1/4" GRID - FULL SIZE



HAND GUARD - FOLDED PATTERN
1/4" GRID - FULL SIZE



HAND GUARD - FLAT PATTERN
MADE FROM BLANK = 12" X 4 1/2"
1/4" GRID - FULL SIZE



CUTLASS BLADE - BLANK
BLADE THICKNESS TAPERS FROM 1/4" TO 1/8" NEAR TIP,
BLADE WIDTH TAPERS FROM 1 5/16" TO 7/8" NEAR TIP,
1/4" GRID - FULL SIZE



ASSEMBLED WEIGHT = 2.3 POUNDS
ALL DIMENSIONS ARE IN INCHES.

DIMENSIONAL TOLERANCES UNLESS OTHERWISE SPECIFIED				
MACHINED		GEOMETRIC (WHERE IND)		
DIM	DEC	SYMBOL	GEOMETRY	TOL
UNDER 6		±	PLAT & STR	"/IN
6 TO 24		±	PERPENDICULAR	"/IN
OVER 24		±	PARALLELISM	"/IN
DIM ARE IN INCHES		◎	CONCENTRICITY	"/IN
FILLETS & RADII TO BE		SYM IN ACCORDANCE WITH		
TOL ON ANGLES ± 1°				

REVISION STATUS OF SHEETS		SHIP APPLICABILITY	

CONTRACT NO. FSNW NO.		DATE	
PREPARED			
CHECKED			
ENGINEER			
APPROVED			
AUTHORITY:			

DEPARTMENT OF THE NAVY NAVAL SEA SYSTEMS COMMAND WASHINGTON, D.C. 20362-5101				
USS CONSTITUTION - IX 21				
1797 REPLICA CUTLASS				
1797	REPLICA	CUTLASS		
SIZE	FSCM NO.	WT GP	NAVSEA DRAWING NO.	REV
F 53711	711	7444982		
SCALE: AS SHOWN SHEET 1 OF 1				