

GENERAL NOTES

- THIS DRAWING WAS DEVELOPED FOR ACCOMPLISHMENT OF WORK ITEM IX-0003, BASED ON A SHIPCHECK OF THE USS CONSTITUTION.
- THE PURPOSE OF THIS DRAWING IS TO MODIFY THE EXISTING PORT AND STARBOARD 28FT WHALEBOAT DAVITS IN WAY OF NEW CAPRAIL MODIFICATIONS.
- TEMPLATE ALL WORK FROM SHIP AND EQUIPMENT TO INSURE PROPER INSTALLATION.
- ITEM No 2 "REGULAR NUT EYE BOLT" SHALL BE SIMILAR OR EQUAL TO THE CROSBY GROUP, FORGED EYE BOLT TYPE G-291, AND CAN BE ORDERED FROM, THE CROSBY GROUP, INC. TULSA, OKLAHOMA, 74101. PHONE: (918) 834-4611, FAX: (918) 832-0940, WEB: www.thecrosbygroup.com
- ITEM No 10 "GROOVED OPEN SPELTER SOCKET" SHALL BE SIMILAR OR EQUAL TO THE CROSBY GROUP, SPELTER SOCKET TYPE G-416, AND CAN BE ORDERED FROM, THE CROSBY GROUP, INC. TULSA, OKLAHOMA, 74101. PHONE: (918) 834-4611, FAX: (918) 832-0940, WEB: www.thecrosbygroup.com

LIST OF MATERIAL (QUANTITY FOR ONE SHIP)

ITEM NO.	QTY RGD	DESCRIPTION	LAST NO USED	SIZE RGD	MTL SPEC	MTL REQ	NSN OR MFRG PT NO.	SCE	APL NO.	UNIT WT	REMARKS
1	18 S/F	3/4" STEEL PLATE	3		ASTM-A36	STEEL		IAF		30.6#/SF	
2	8	1-1/4" DIA REGULAR NUT EYE BOLT			COML	GALVANIZED STEEL	G-291	IAF			SEE GEN NOTE No 4, TEMP LENGTH
3	8	SQUARE NUT, 1-1/4- 7 UNC-2B			NASM 25027	STEEL		IAF			
4	8	LOCK WASHER, 1-1/4"			ANSI B18.22.1	STEEL		IAF			
5	2 L/F	2-1/4" DIA ROD			ASTM-A36	STEEL		IAF		13.5#/LF	
6	16	SQUARE BOLT, 3/4-10 UNC-2A			COML	STEEL		IAF			LENGTH= 2-3/4"
7	16	SQUARE NUT, 3/4 -10 UNC-2B			NASM 25027	STEEL		IAF			
8	16	LOCK WASHER, 3/4"			ANSI B18.22.1	STEEL		IAF			
9	1 S/F	3/8" STEEL PLATE			ASTM-A36	STEEL		IAF		15.3#/SF	3" DIA, (8 REQD)
10	16	3/4" GROOVED OPEN SPELTER SOCKET			COML	GALVANIZED STEEL	G-416	IAF			SEE GEN NOTE No 5
11	20 L/F	3/4" WIRE ROPE			RR-W-410	STEEL		IAF			TYPE I, CLASS 2, 6 BY 19

REVISIONS

REV	ZONE	DESCRIPTION	BY	DATE	APPROVED

DISTRIBUTION LIMITED TO DEPT. OF DEFENSE AND U.S. DOD CONTRACTORS; ADMINISTRATIVE OR OPERATIONAL USE. OTHER REQUESTS FOR THIS DOCUMENT SHALL BE REFERRED TO COMMANDER, NAVAL SEA SYSTEMS COMMAND (SEA 09B2), WASHINGTON, D.C. 20362-5101.

THIS DRAWING HAS BEEN SHIPCHECKED AGAINST THE SHIP INDICATED IN NOTE 1 AND IS VERIFIED AS BEING APPLICABLE.
 A PROOFING SHIPCHECK HAS BEEN CONDUCTED ON THE SHIP INDICATED IN NOTE 1 AND THIS DRAWING IS CERTIFIED AS BEING ACCURATE.

THIS DRAWING MODIFIES REFERENCE No 1 UPON ACCOMPLISHMENT OF FY 2008 RAV WORK ITEM IX-0003.

NO.	HULL	TITLE	IDENT
2	IX21	OUTBOARD PROFILE CAPRAIL REMOVAL	100-8275792
1	IX21	BOAT DAVITS AND FITTINGS 28FT WHALEBOATS	23398

REFERENCES

DIMENSIONAL TOLERANCES UNLESS OTHERWISE SPECIFIED					
MACHINED			GEOMETRIC (WHERE IND)		
DIM	DEC	FRAC	SYM	GEOMETRY	TOL
UNDER 6		±1/	—	PLAT & STR	/IN
6 TO 24		±1/	⊥	PERPENDICULAR	/IN
OVER 24		±1/	∥	PARALLELISM	/IN
DIM ARE IN INCHES			◎	CONCENTRICITY	/IN
FILLETS & RADII TO BE			SYM IN ACCORDANCE WITH		
TOL ON ANGLES ±					

REVISION STATUS OF SHEETS

SHIP APPLICABILITY

CONTRACT NO. FSSM NO.	
PREPARED	DATE
CHECKED	DATE
ENGINEER	DATE
APPROVED	DATE
AUTHORITY:	FY 08 RAV

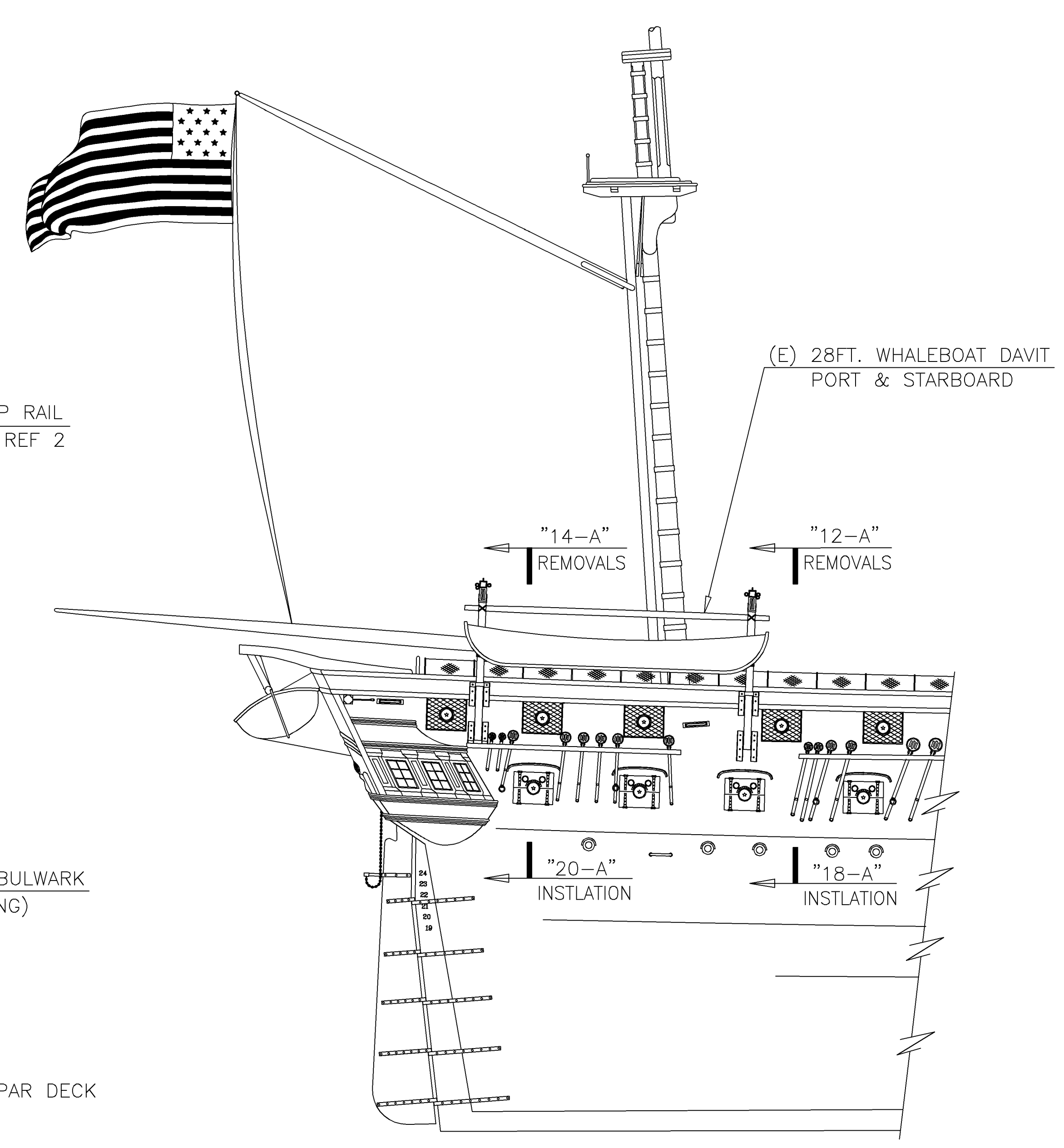
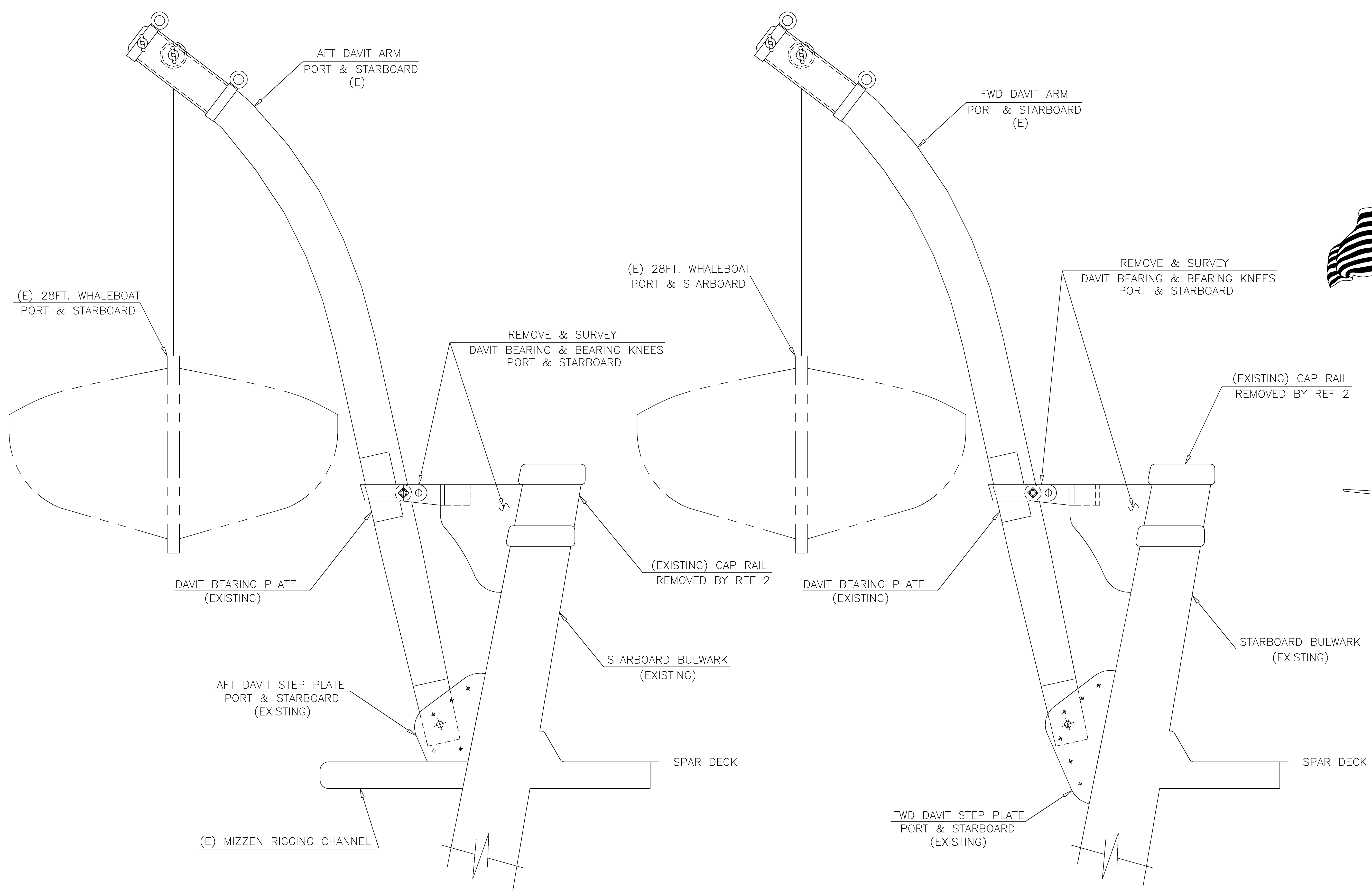
DEPARTMENT OF THE NAVY NAVAL SHIPYARD DETACHMENT BOSTON, MA 02210-2144	DEPARTMENT OF THE NAVY NAVAL SEA SYSTEMS COMMAND WASHINGTON, D.C. 20362-5101
PREPARED JBA	DATE 9/07
CHECKED Jim A.	DATE 9/14/07
ENGINEER ALMIEDA	DATE 9/17/07
APPROVED JPhambers	DATE 9/19/07
ACCEPTED FOR NAVSEA	
APPROVED BY NAVSEA NOT REQUIRED	

WI IX-0003	601	340	I	3'-6"	85.0	A	0.22	P	JBA
WI IX-0003	601	732	R	5'-0"	85.0	A	0.45	P	JBA

WEIGHT CONTROL DATA

LEVERS IN FEET TO THE NEAREST TENTH OF A FOOT
 USE SEPARATE LINES FOR EACH WT GP. S/A, REV, WT INSTL, WT RMVL
 I=INSTALL, R=REMOVE, XI=LOAD ITEM INSTALLED, XRI=LOAD ITEM REMOVED
 F=FORWARD, A=AFT, P=PORT, S=STBD, O=C

DAVIT	MOD	INCD	CAPRAIL	RMVL
SIZE	CAGE NO.	WT GRP	NAVSEA DRAWING NO.	REV
F	53711	601	8275791	-
SCALE: AS NOTED				SHEET 1 OF 4



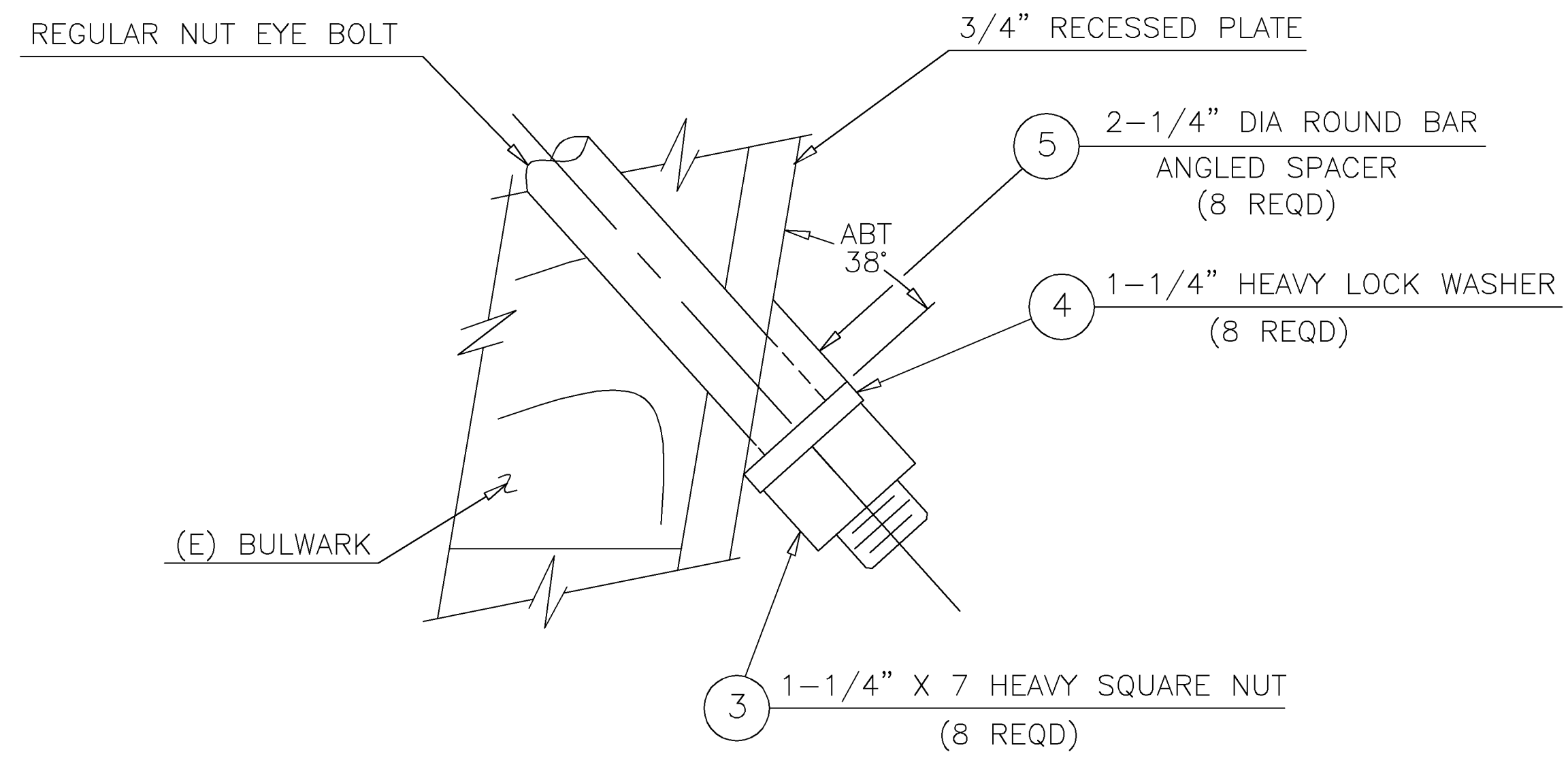
SECTION "14-A"
 AFT DAVIT ARM REMOVALS
 STARBOARD LKG AFT, PORT SIDE SIMILAR
 SCALE: 1"=1'-0"

SECTION "12-A"
 FORWARD DAVIT ARM REMOVALS
 STARBOARD LKG AFT, PORT SIDE SIMILAR
 SCALE: 1"=1'-0"

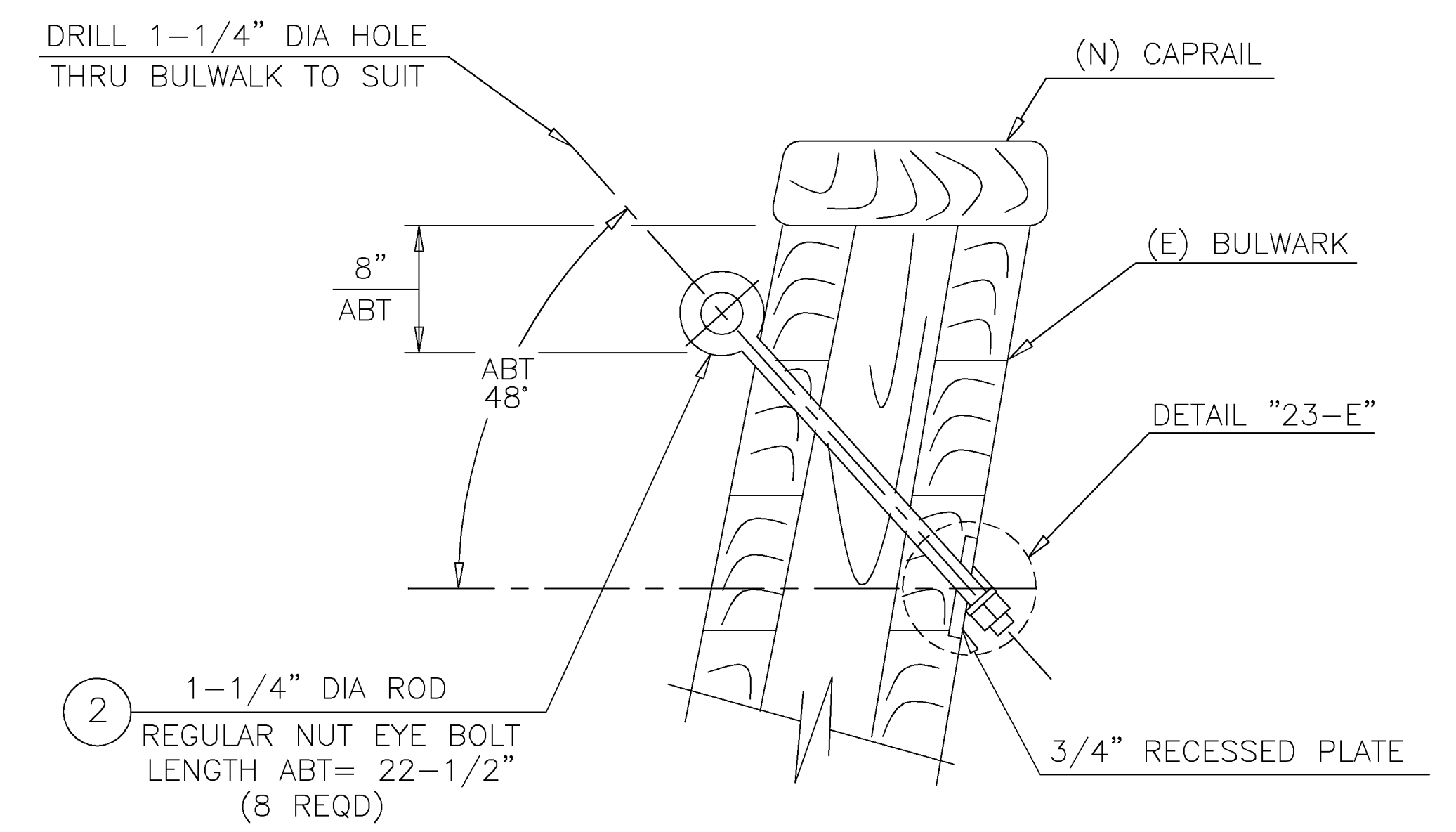
KEY ELEVATION "9-B"
 STARBOARD SIDE SHOWN, PORT SIDE SIMILAR
 SCALE: 1/8"=1'-0"

DISTRIBUTION LIMITED TO DEPT. OF DEFENSE AND U.S. DOD CONTRACTORS; ADMINISTRATIVE OR OPERATIONAL USE. OTHER REQUESTS FOR THIS DOCUMENT SHALL BE REFERRED TO COMMANDER, NAVAL SEA SYSTEMS COMMAND (SEA 09B2), WASHINGTON, D.C. 20362-5101.

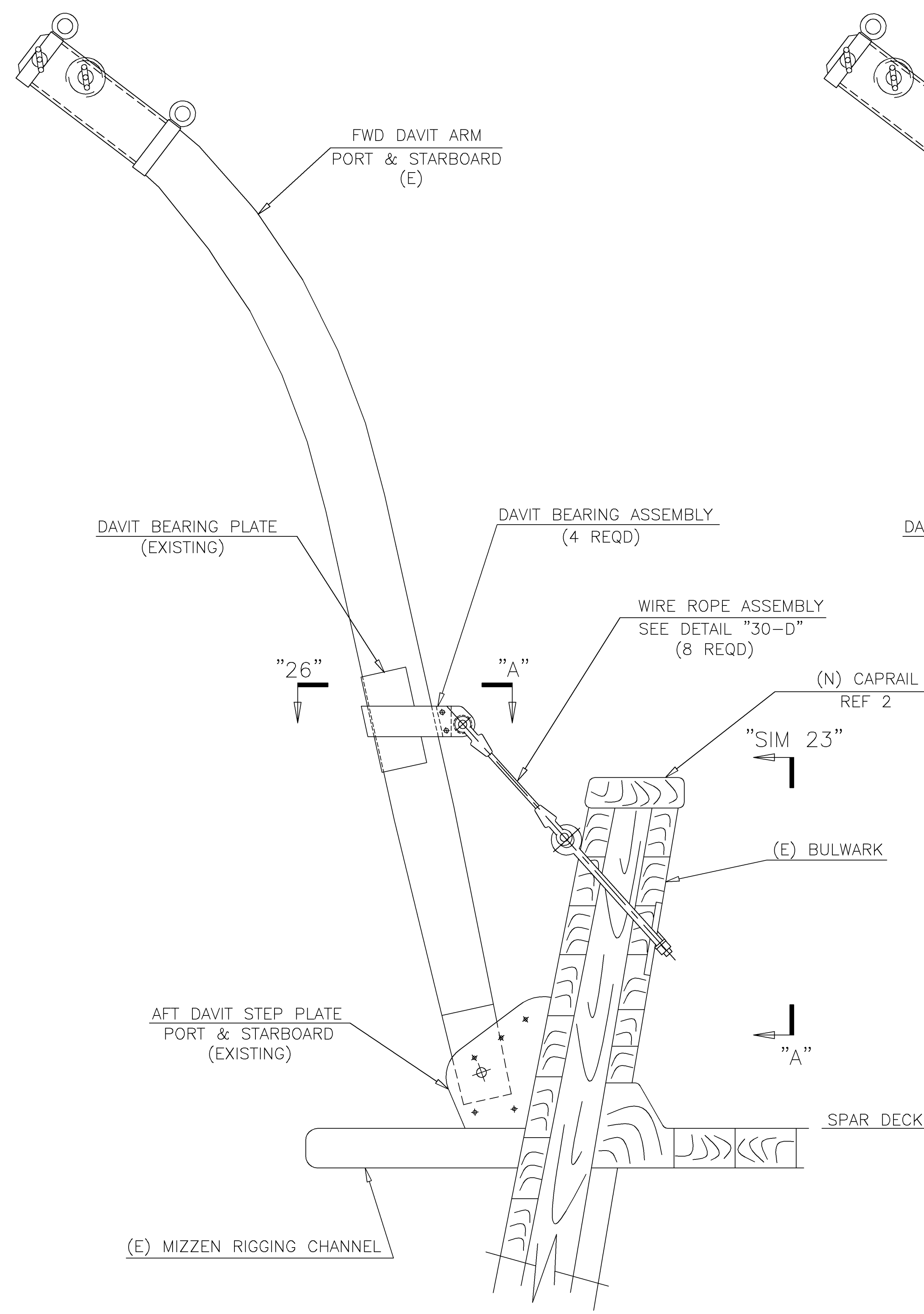
SIZE	FSCM NO.	WT GP	NAVSEA DRAWING NO.	REV
F	53711	601	8275791	-
SCALE: AS NOTED				SHEET 2



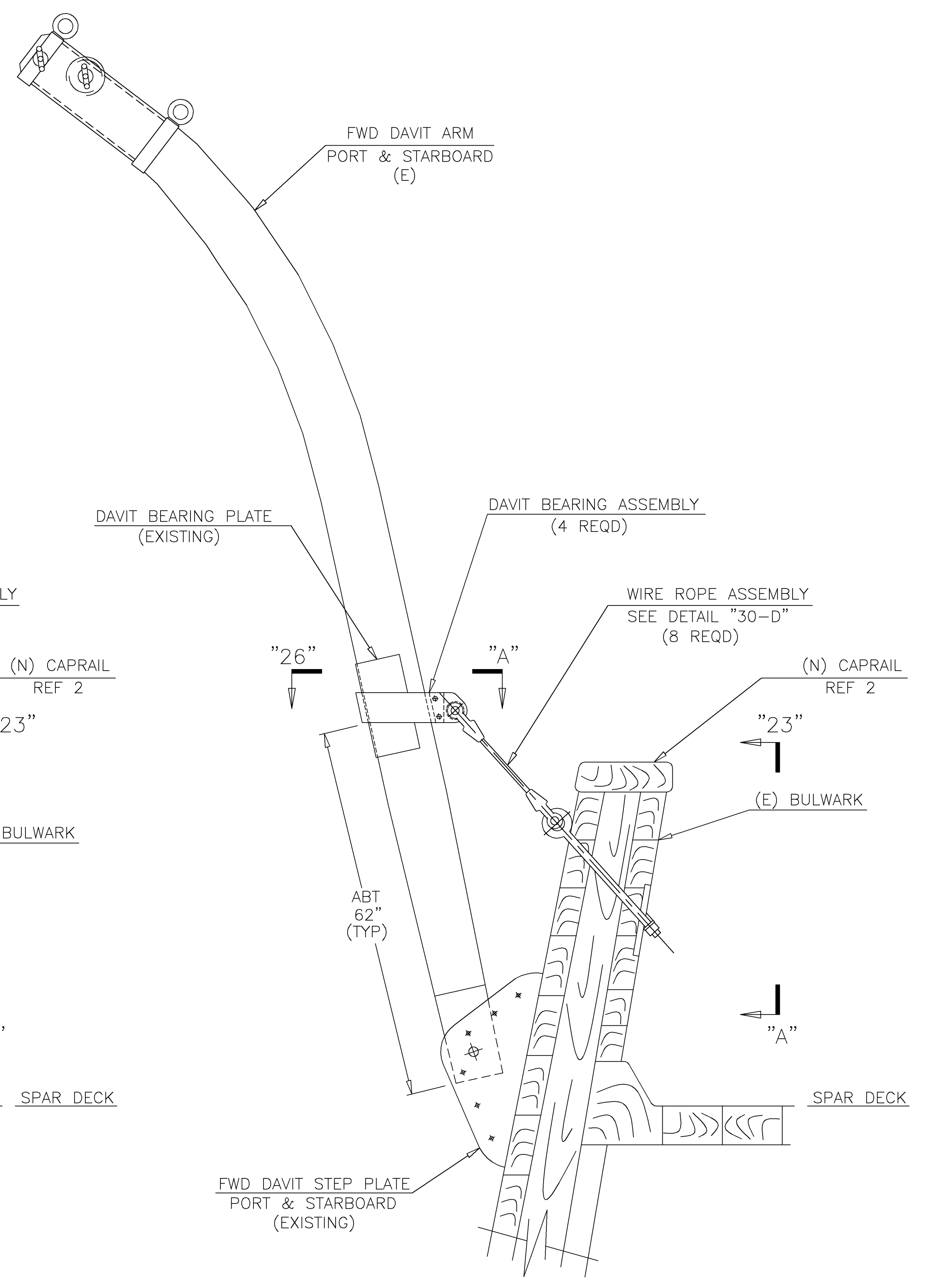
DETAIL "23-E"
SCALE: 6"=1'-0"



ELEVATION "23-A"
STARBOARD LKG OUTBD, PORT SIDE SIMILAR
SCALE: 1-1/2"=1'-0"

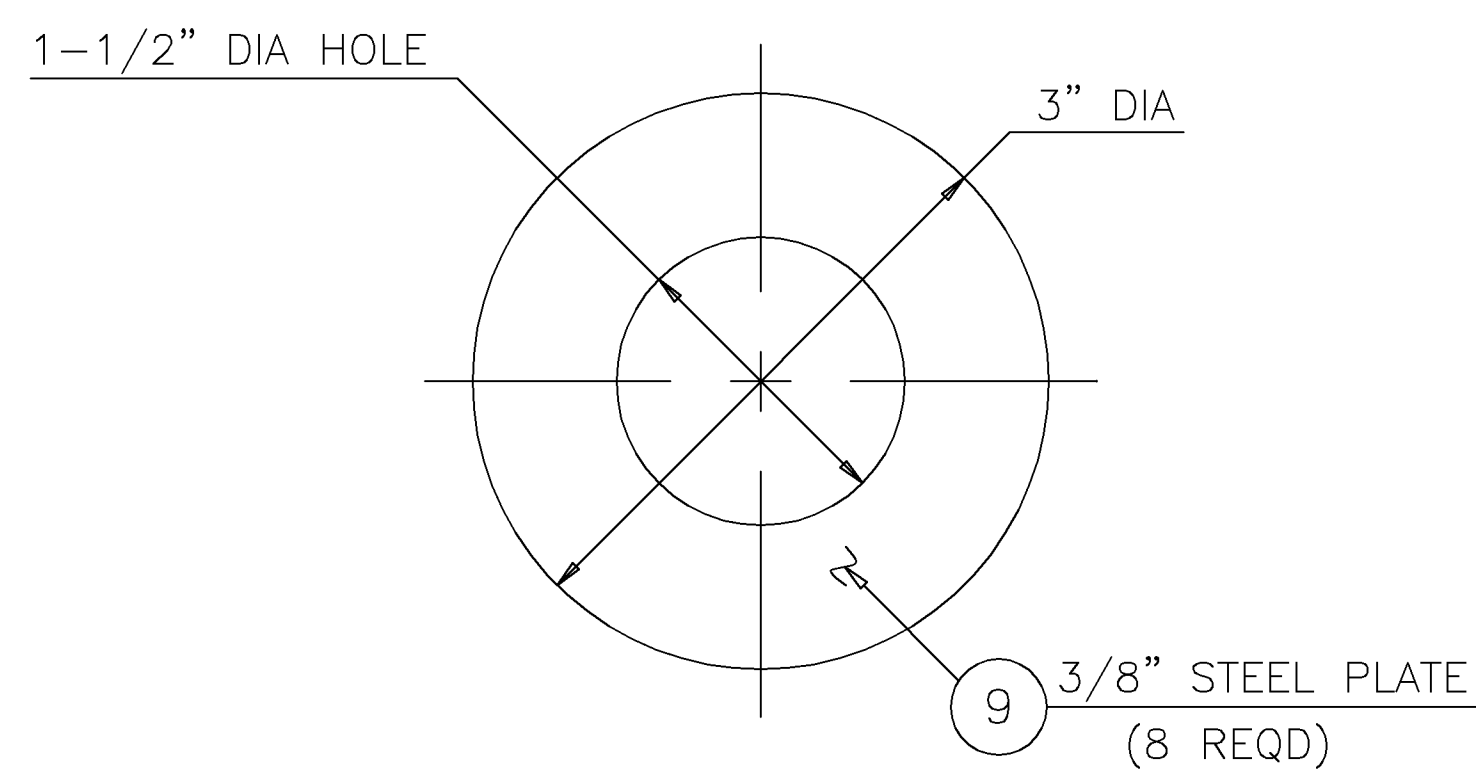


SECTION "20-A"
AFT DAVIT ARM INSTALLATION
STARBOARD LKG AFT, PORT SIDE SIMILAR
SCALE: 1"=1'-0"

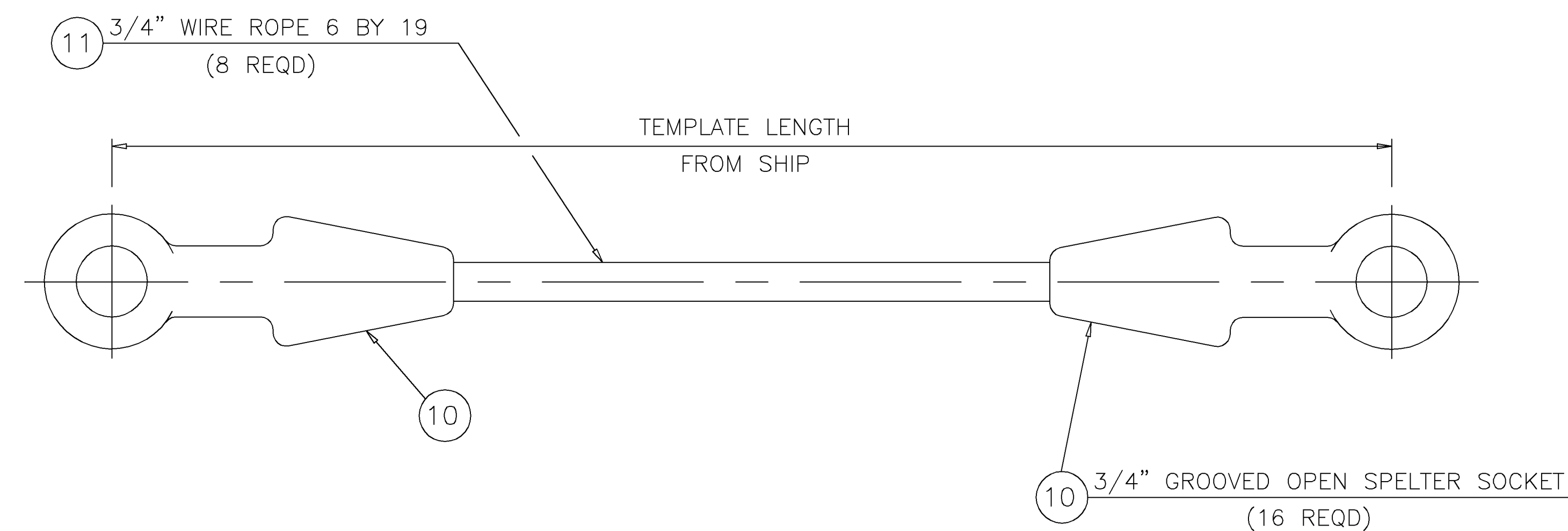


SECTION "18-A"
FORWARD DAVIT ARM INSTALLATION
STARBOARD LKG AFT, PORT SIDE SIMILAR
SCALE: 1"=1'-0"

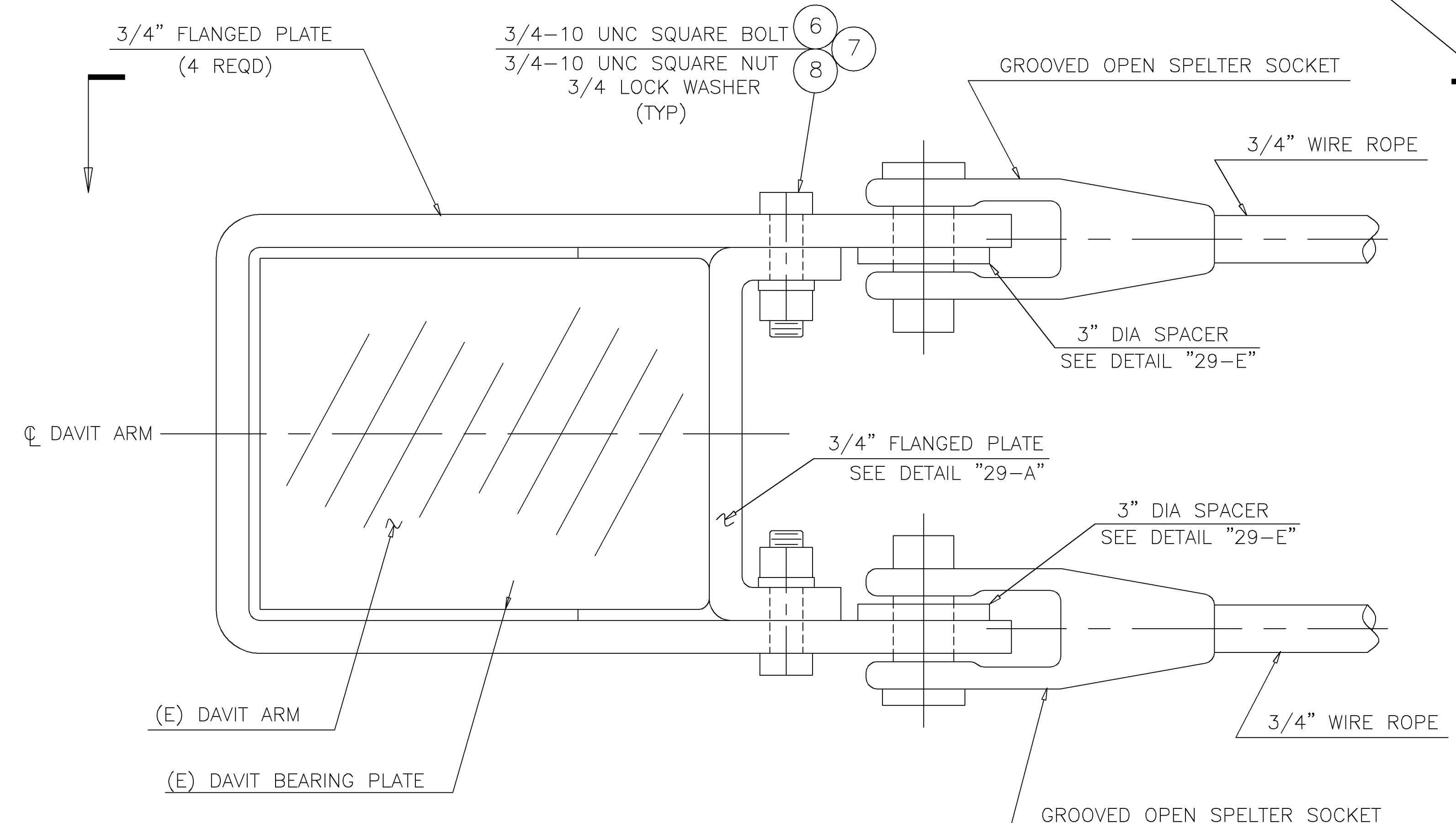
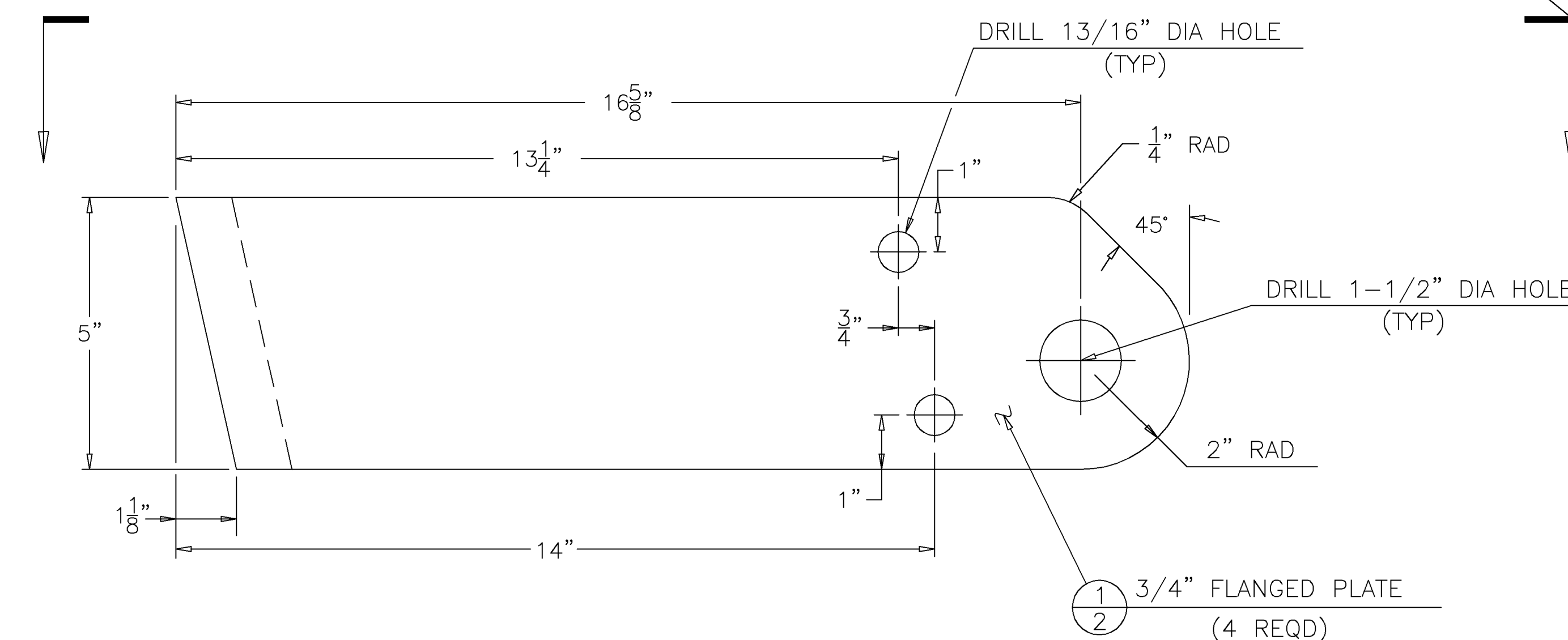
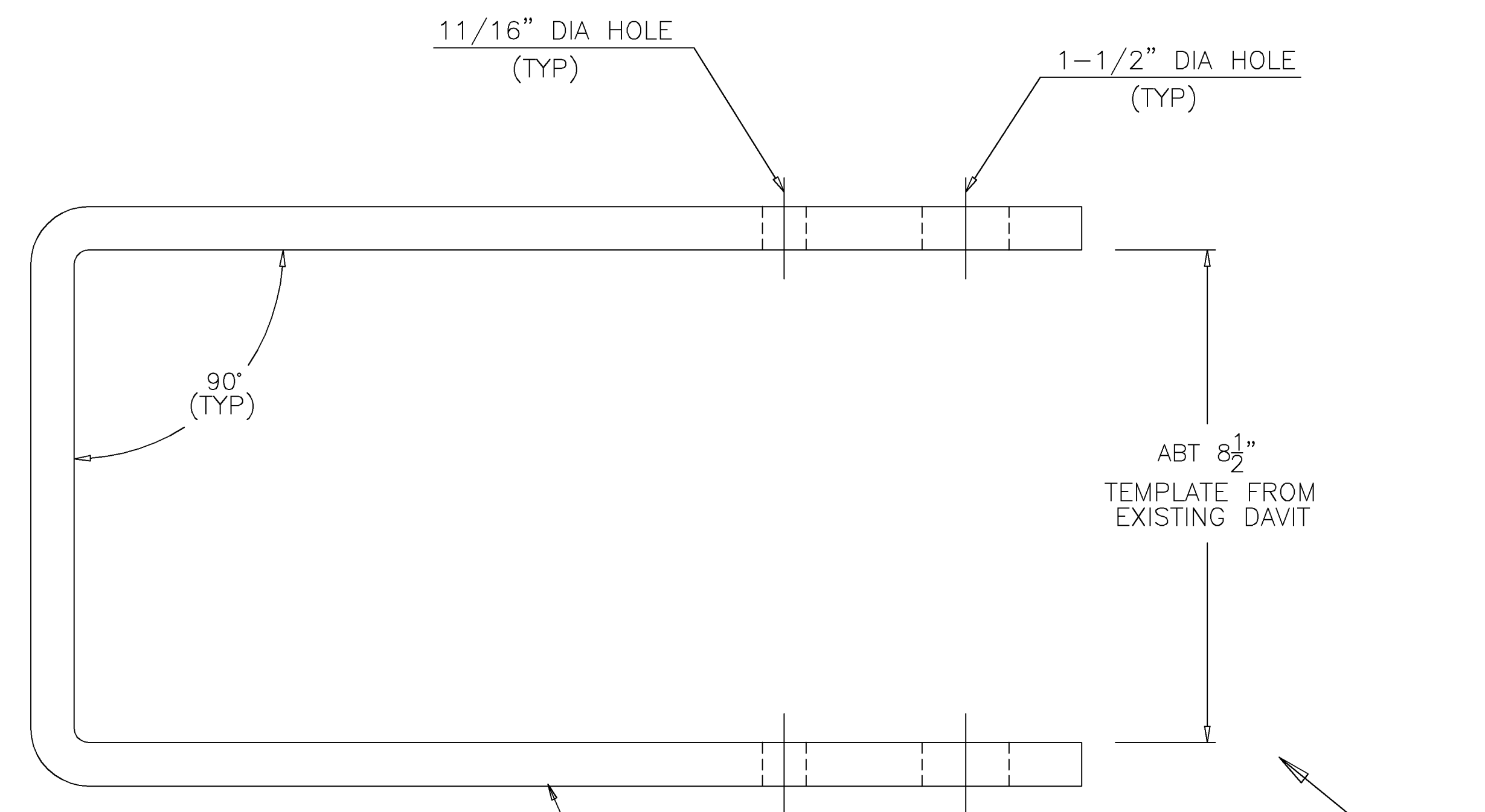
DISTRIBUTION LIMITED TO DEPT. OF DEFENSE AND U.S. DOD CONTRACTORS; ADMINISTRATIVE OR OPERATIONAL USE. OTHER REQUESTS FOR THIS DOCUMENT SHALL BE REFERRED TO COMMANDER, NAVAL SEA SYSTEMS COMMAND (SEA 09B2), WASHINGTON, D.C. 20362-5101.				
SIZE	FSCM NO.	WT GP	NAVSEA DRAWING NO.	REV
F	53711	601	8275791	-
SCALE: AS NOTED				SHEET 3



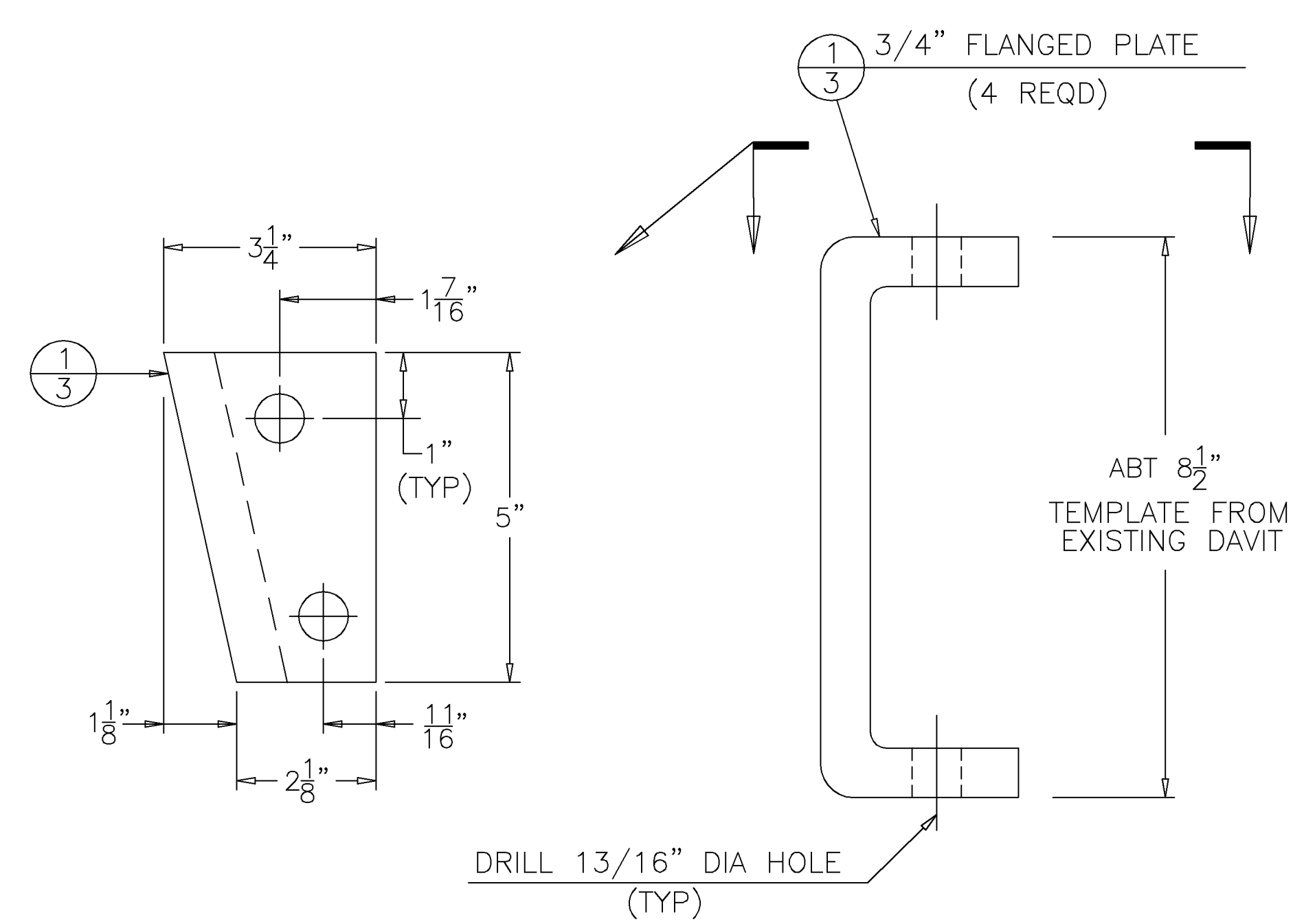
DETAIL "29-E"
SPACER
SCALE: FULL



DETAIL "30-D"
WIRE ROPE ASSEMBLY
SCALE: 6"=1'-0"



PLAN VIEW "26-A"
DAVIT BEARING ASSEMBLY
SCALE: 6"=1'-0"



DETAIL "29-A"
SCALE: 6"=1'-0"

DISTRIBUTION LIMITED TO DEPT. OF DEFENSE AND U.S. DOD CONTRACTORS; ADMINISTRATIVE OR OPERATIONAL USE. OTHER REQUESTS FOR THIS DOCUMENT SHALL BE REFERRED TO COMMANDER, NAVAL SEA SYSTEMS COMMAND (SEA 09B2), WASHINGTON, D.C. 20362-5101.				
SIZE	FSCM NO.	WT GP	NAVSEA DRAWING NO.	REV
F	53711	601	8275791	-
SCALE: AS NOTED				SHEET 4